

Model

Designation	KLF5.6CNT	200-240V/50Hz 1~ 208-230V/60Hz 1~	Sales code:	106H2602
-------------	------------------	-----------------------------------	-------------	-----------------

Compressor design

Oil type	Polyolester	Refrigerant(s)	R290
Oil viscosity	19,2cST	Displacement	5,6cm ³ / 0,34cu.in
Oil quantity	162cm ³ / 5,5fl.oz	Compressors on pallet	100
Refr. charge - tech. limit	200g / 7,1oz		
Free gas volume comp.	1605cm ³ / 54,3fl.oz		
Weight	9,4kg / 20,7lbs		
Motor protection	external		
Winding resistance main	10,7Ω (at 25°C)		
Winding resistance aux	17Ω (at 25°C)		
Max. winding temp.	125°C / 257°F		
Max. discharge temp.	130°C / 266°F		



General - Configurations with KLF5.6CNT

	Conf. 1	Conf. 2	Conf. 3	Conf. 4
Motorconfiguration	CSIR	RSCR	CSIR	RSCR
Power supply (nominal)	200-240V/50Hz	200-240V/50Hz	208-230V/60Hz	208-230V/60Hz
Number of phases	1	1	1	1
Voltage range	187-254V	187-254V	198-253V	198-253V
Approvals	UL, CB under prep.	UL, CB under prep.	UL, CB under prep.	UL, CB under prep.
Starting torque	HST	LST	HST	LST
Note	- / -			

Applications with KLF5.6CNT

	Conf. 1	Conf. 2	Conf. 3	Conf. 4
Refrigerant	R290	R290	R290	R290
Application	LBP+MBP	LBP+MBP	LBP+MBP	LBP+MBP
System cooling	fan 3m/s	fan 3m/s	fan 3m/s	fan 3m/s
Hot gas defrost	OK	OK	OK	OK
Long interval pull down	OK	OK	-/-	-/-

Electrical data - Configurations with KLF5.6CNT

	Conf. 1	Conf. 2	Conf. 3	Conf. 4
Starting device type	relay	PTC	relay	PTC
Run capacitor	-/-	5μF	-/-	5μF
Start capacitor	80μF	-/-	80μF	-/-
LRA (locked rotor amps / 4s)	10,3A	8,6A	10,3A	8,6A
RLA (rated load amps / 1s)	1,7A	1,7A	1,7A	1,7A
Cut in current	10,3A	15,5A	10,3A	15,5A

Model

Designation

KLF5.6CNT

200-240V/50Hz 1~ 208-230V/60Hz 1~

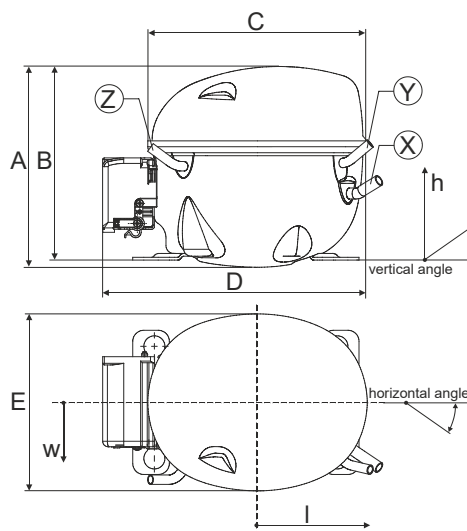
Sales code:

106H2602

Compressor dimensions

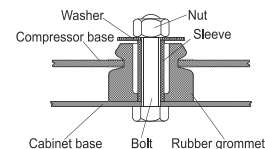
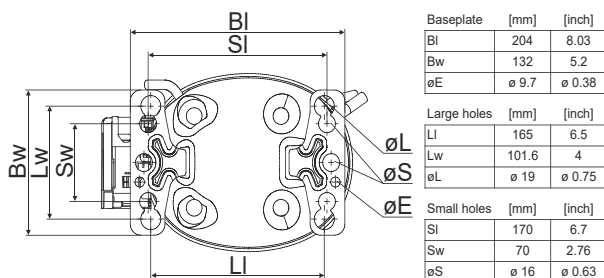
Housing	A Height	182mm / 7,17in
	B Height	175mm / 6,89in
	C Length shell	198mm / 7,8in
	D Length w. cover	238mm / 9,37in
	E Width	160mm / 6,3in

Connectors	Suction	Discharge	Process
	X	Y	Z
Diameter [mm]	øi 8,11-8,29	øi 6,11-6,29	øi 6,11-6,29
(i:inside, o:outside) [in]	øi 0,32-0,33	øi 0,24-0,25	øi 0,24-0,25
Material	copper	copper	copper
Horizontal angle ±2°	35°	13°	0°
Vertical angle ±2°	30°	40°	145°
Position l/h/w [mm]	120/72/62	112/106/62	-97/102/70
[in]	4,7/2,8/2,4	4,4/4,2/2,4	-3,8/4/2,8
Straight tube l.	[mm]	14	14
	[in]	0,5	0,5

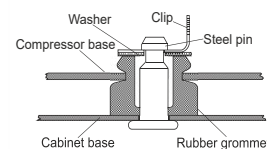


Compressor fixation

Bolt joint



Snap-on



Mounting accessories

	one comp.	multi pack
Bolt joint M6 ø16mm	118-1917	118-1918
Bolt joint ø1/4" ø16mm	118-1946	
Bolt joint ø1/4" ø19mm	118-1949	
Snap-on ø7,3 ø16mm	118-1947	118-1919

Application notes

LRA value on compressor label and datasheet may differ due to different test conditions for UL approval.

Provision for PE Grounding is located at the PE Stamp on the compressor

Model

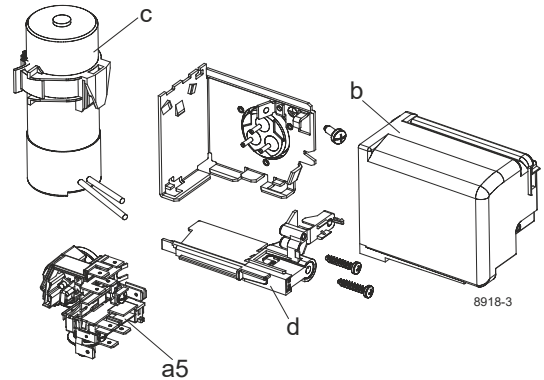
Designation	KLF5.6CNT	200-240V/50Hz	Conf. 1	Sales code:	106H2602
-------------	------------------	----------------------	----------------	-------------	-----------------

Configuration

Motorconfiguration	CSIR
Power supply (nominal)	200-240V/50Hz 1~
Refrigerant	R290
Application	LBP+MBP
Voltage range	187-254V
Starting torque	HST
Approvals	UL
	CB under prep.

Electrical accessories / wiring diagram

CSIR

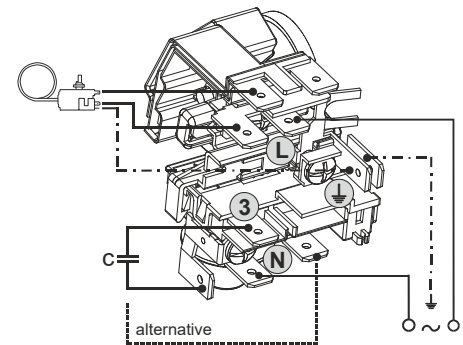
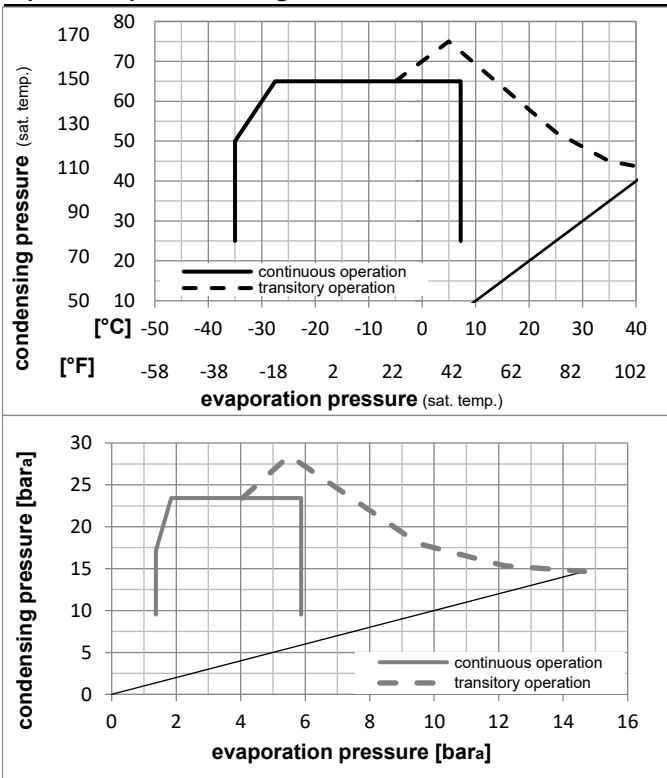


Ambient/ machine room temperatures minimum /maximum

Ambient temperature range:	10 - 43°C / 50 - 110°F
Machine room temperature range:	10 - 48°C / 50 - 119°F
Compressor cooling:	fan 3m/s

Operation Limits

Operation pressure range



Components

a5	current relay TY (1218/L6 - S7)	117U7077
c	start capacitor (80μF, 6.3mm)	117U5003
b, d	cover + clamp + screws(5VA) in bag	103N1060

Alternative components

b, d	cover + clamp + screws(5VA-compl.)	103N0600
------	------------------------------------	----------

Model

Designation **KLF5.6CNT** **200-240V/50Hz** Conf. 1 Sales code: **106H2602**

Optimization + standard conditions

R290, 220V/50Hz, CSIR, fan 3m/s, UL, CB under prep.

		Evaporating pressure (saturation temperature)			Condensing pressure (saturation temperature)			Return gas temp.			Liquid temp.			Cooling capacity			COP	EER	Power consumption		
		pe	pc	RGT	Tliq	[W]	[Btu/h]	[kcal/h]	[W/W]	[Btu/Wh]	[kcal/Wh]	P1	I	Ref. mass flow							
[°C]	[°F]	[°C]	[°F]	[°C]	[°F]							[W]	[A]	[kg/h]	ASHRAE LBP						
-23	54	32	32	270,9	925	233,2	1,54	5,26	1,33	175,9	1,22	2,74	ASHRAE LBP								
-10	130	90	90												ASHRAE LBP						
-25	55	32	55	201,7	689	173,6	1,19	4,06	1,02	169,6	1,20	2,51	cecomaf LBP								
-13	131	90	131												cecomaf LBP						
-35	40	20	40	147,6	504	127,0	1,20	4,11	1,04	122,5	1,07	1,69	EN12900 LBP								
-31	104	68	104												EN12900 LBP						
-7	54	35	46	489,9	1673	421,6	2,06	7,03	1,77	238,1	1,43	5,59	ASHRAE MBP								
20	130	95	115												ASHRAE MBP						
-10	55	32	55	388,3	1326	334,2	1,71	5,83	1,47	227,4	1,39	4,91	cecomaf MBP								
14	131	90	131												cecomaf MBP						
-10	45	20	45	430,8	1471	370,7	2,08	7,10	1,79	207,2	1,32	5,29	EN12900 MBP								
14	113	68	113												EN12900 MBP						

Performance tables

R290, 220V/50Hz, CSIR, fan 3m/s, UL, CB under prep.

	pe		Cooling capacity			COP	EER	P1	I	m	
	[°C]	[°F]	[W]	[Btu/h]	[kcal/h]	[W/W]	[Btu/Wh]	[kcal/Wh]	[W]	[A]	[kg/h]
[°C / °F]	-35	-31	146,9	502	126,4	1,13	3,87	0,97	129,7	1,09	1,65
cond. pressure	-25	-13	238,6	815	205,4	1,48	5,06	1,27	161,1	1,17	2,69
pc= 45/113	-15	5	367,1	1254	316,0	1,91	6,51	1,64	192,6	1,27	4,18
return gas temp.	-10	14	448,4	1532	385,9	2,16	7,39	1,86	207,2	1,32	5,13
RGT= 32/90	-5	23	542,9	1854	467,2	2,46	8,42	2,12	220,3	1,36	6,25
liquid temp	0	32	651,7	2226	560,9	2,82	9,61	2,42	231,5	1,40	7,56
Tliq= 45/113	7,2	45	836,4	2856	719,8	3,44	11,74	2,96	243,3	1,45	9,83
[°C / °F]	-35	-31	112,9	386	97,2	0,85	2,92	0,74	132,1	1,09	1,40
cond. pressure	-25	-13	201,7	689	173,6	1,19	4,06	1,02	169,6	1,20	2,51
pc= 55/131	-15	5	317,2	1083	273,0	1,52	5,19	1,31	208,6	1,32	3,99
return gas temp	-10	14	388,3	1326	334,2	1,71	5,83	1,47	227,4	1,39	4,91
RGT= 32/90	-5	23	470,1	1605	404,5	1,92	6,55	1,65	245,1	1,45	5,99
liquid temp	0	32	563,7	1925	485,1	2,16	7,37	1,86	261,1	1,51	7,24
Tliq= 55/131	7,2	45	722,2	2466	621,5	2,57	8,79	2,22	280,5	1,59	9,41

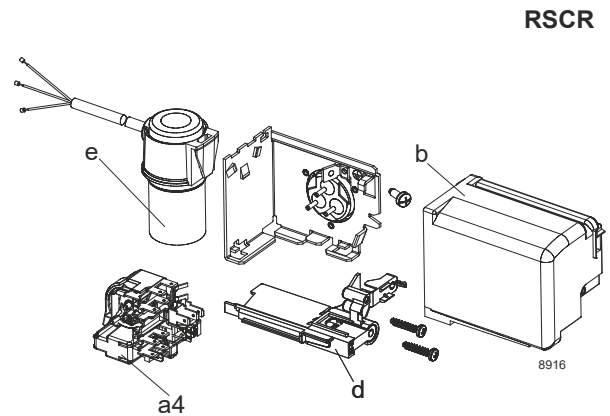
Model

Designation	KLF5.6CNT	200-240V/50Hz	Conf. 2	Sales code:	106H2602
-------------	------------------	----------------------	----------------	-------------	-----------------

Configuration

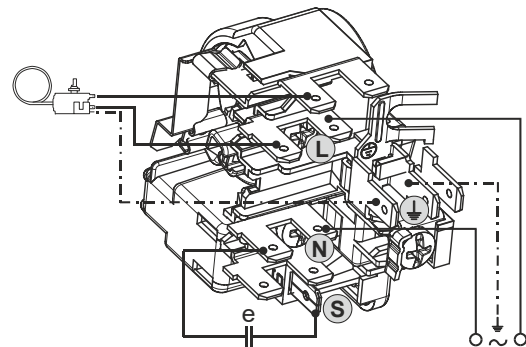
Motorconfiguration	RSCR
Power supply (nominal)	200-240V/50Hz 1~
Refrigerant	R290
Application	LBP+MBP
Voltage range	187-254V
Starting torque	LST
Approvals	UL
	CB under prep.

Electrical accessories / wiring diagram



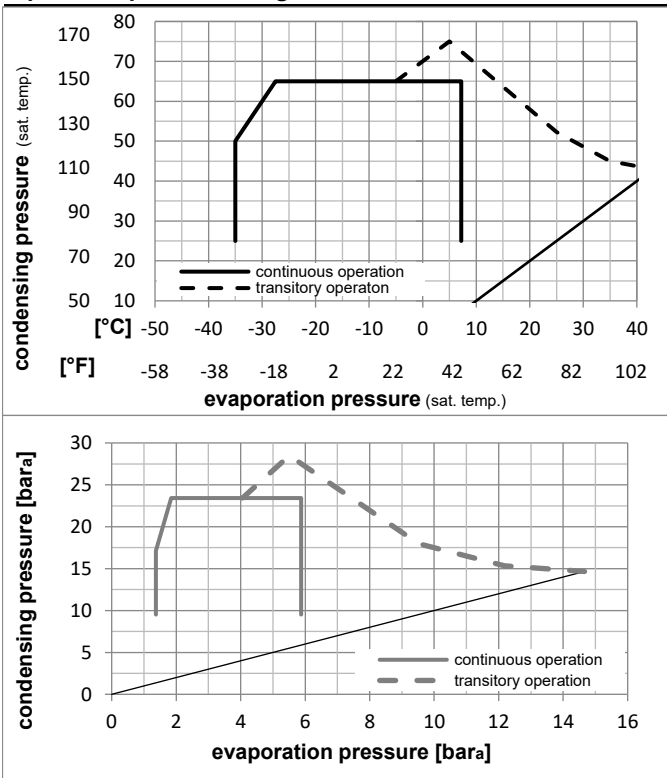
Ambient/ machine room temperatures minimum /maximum

Ambient temperature range:	10 - 43°C / 50 - 110°F
Machine room temperature range:	10 - 48°C / 50 - 119°F
Compressor cooling:	fan 3m/s



Operation Limits

Operation pressure range



Components

a4	DAS7 (PTC, 6.3mm, T1218/L6 - S7)	103N0256
e	run capacitor (5μF, 6,3mm)	117-7155
b, d	cover + clamp + screws(5VA) in bag	103N1060

Alternative components

b, d	cover + clamp + screws(5VA-compl.)	103N0600
------	------------------------------------	----------

Model

Designation **KLF5.6CNT** **200-240V/50Hz** Conf. 2 Sales code: **106H2602**

Optimization + standard conditions

R290, 220V/50Hz, RSCR, fan 3m/s, UL, CB under prep.

		Evaporating pressure (saturation temperature)				Condensing pressure (saturation temperature)						Power consumption			
		Return gas temp.		Liquid temp.		Cooling capacity		COP	EER		P1	I	Ref. mass flow		
		pe	pc	RGT	Tliq	[W]	[Btu/h]	[kcal/h]	[W/W]	[Btu/Wh]	[kcal/Wh]	[W]	[A]	[kg/h]	
[°C]	[°F]	[°C]	[°F]	[°C]	[°F]										
-23	54	32	32	276,0	943	237,6	1,61	5,49	1,38	171,7	0,93	2,80	ASHRAE LBP		
-10	130	90	90												
-25	55	32	55	205,5	702	176,8	1,24	4,23	1,07	165,7	0,91	2,56	cecomaf LBP		
-13	131	90	131												
-35	40	20	40	150,2	513	129,3	1,24	4,23	1,06	121,4	0,75	1,72	EN12900 LBP		
-31	104	68	104												
-7	54	35	46	499,6	1706	430,0	2,16	7,37	1,86	231,6	1,18	5,70	ASHRAE MBP		
20	130	95	115												
-10	55	32	55	396,0	1352	340,8	1,79	6,11	1,54	221,3	1,14	5,01	cecomaf MBP		
14	131	90	131												
-10	45	20	45	439,1	1500	377,9	2,17	7,43	1,87	202,0	1,05	5,39	EN12900 MBP		
14	113	68	113												

Performance tables

R290, 220V/50Hz, RSCR, fan 3m/s, UL, CB under prep.

	pe		Cooling capacity			COP	EER	P1	I	m	
	[°C]	[°F]	[W]	[Btu/h]	[kcal/h]	[W/W]	[Btu/Wh]	[kcal/Wh]	[W]	[A]	[kg/h]
[°C / °F]	-35	-31	149,5	511	128,7	1,17	3,98	1,00	128,2	0,77	1,68
cond. pressure	-25	-13	243,1	830	209,2	1,54	5,27	1,33	157,6	0,87	2,74
pc= 45/113	-15	5	374,2	1278	322,0	1,99	6,80	1,71	187,8	0,99	4,26
return gas temp.	-10	14	457,1	1561	393,4	2,26	7,73	1,95	202,0	1,05	5,23
RGT= 32/90	-5	23	553,5	1890	476,3	2,58	8,81	2,22	214,7	1,11	6,37
liquid temp	0	32	664,6	2270	572,0	2,95	10,07	2,54	225,4	1,16	7,71
Tliq= 45/113	7,2	45	853,2	2914	734,3	3,61	12,33	3,11	236,4	1,20	10,02
[°C / °F]	-35	-31	115,0	393	98,9	0,88	3,01	0,76	130,2	0,78	1,42
cond. pressure	-25	-13	205,5	702	176,8	1,24	4,23	1,07	165,7	0,91	2,56
pc= 55/131	-15	5	323,4	1104	278,3	1,59	5,44	1,37	203,2	1,06	4,07
return gas temp	-10	14	396,0	1352	340,8	1,79	6,11	1,54	221,3	1,14	5,01
RGT= 32/90	-5	23	479,5	1638	412,7	2,01	6,87	1,73	238,3	1,21	6,11
liquid temp	0	32	575,2	1964	495,0	2,27	7,75	1,95	253,6	1,28	7,39
Tliq= 55/131	7,2	45	737,2	2518	634,5	2,71	9,27	2,34	271,6	1,35	9,60

Model

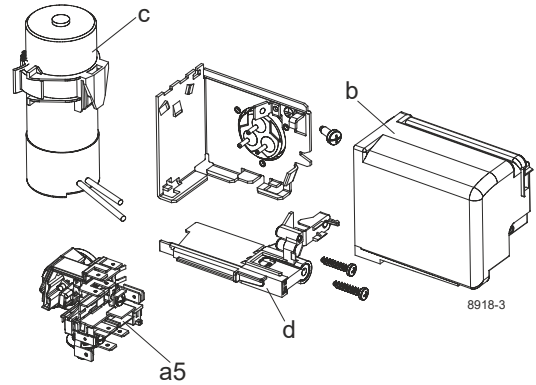
Designation	KLF5.6CNT	208-230V/60Hz	Conf. 3	Sales code:	106H2602
-------------	------------------	----------------------	----------------	-------------	-----------------

Configuration

Motorconfiguration	CSIR
Power supply (nominal)	208-230V/60Hz 1~
Refrigerant	R290
Application	LBP+MBP
Voltage range	198-253V
Starting torque	HST
Approvals	UL
	CB under prep.

Electrical accessories / wiring diagram

CSIR

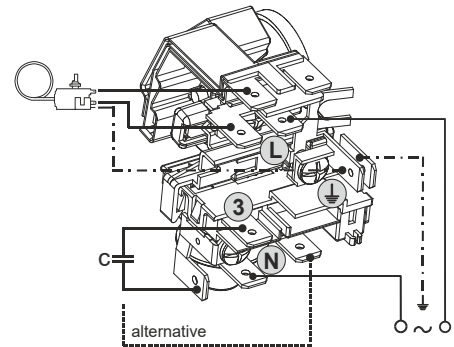
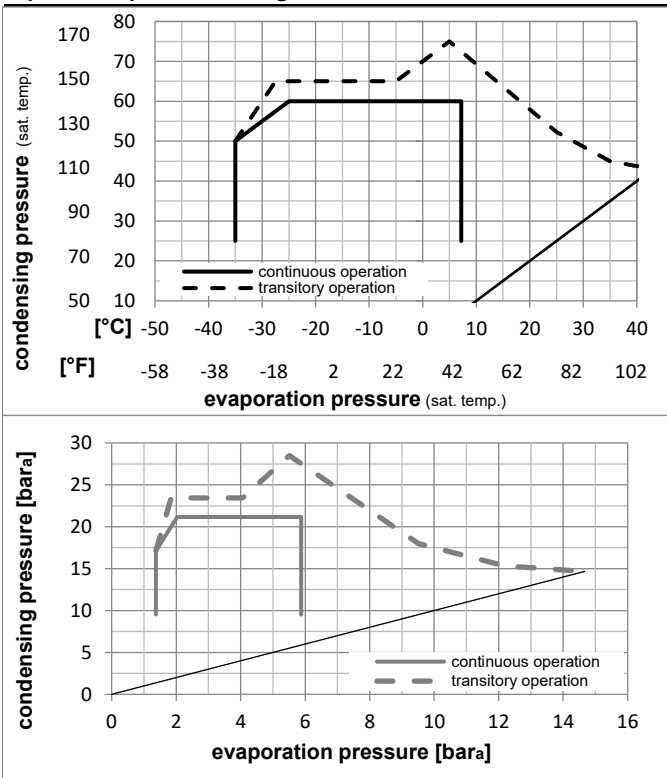


Ambient/ machine room temperatures minimum /maximum

Ambient temperature range:	10 - 43°C / 50 - 110°F
Machine room temperature range:	10 - 48°C / 50 - 119°F
Compressor cooling:	fan 3m/s

Operation Limits

Operation pressure range



Components

a5	current relay TY (1218/L6 - S7)	117U7077
c	start capacitor (80µF, 6.3mm)	117U5003
b, d	cover + clamp + screws(5VA) in bag	103N1060

Alternative components

b, d	cover + clamp + screws(5VA-compl.)	103N0600
------	------------------------------------	----------

Model

Designation **KLF5.6CNT** **208-230V/60Hz** Conf. 3 Sales code: **106H2602**

Optimization + standard conditions

R290, 230V/60Hz, CSIR, fan 3m/s, UL, CB under prep.

		Evaporating pressure (saturation temperature)				Condensing pressure (saturation temperature)					Power consumption				
		Return gas temp.			Liquid temp.		Cooling capacity			COP	EER	Current consumption		Ref. mass flow	
		pe	pc	RGT	Tliq	[W]	[Btu/h]	[kcal/h]	[W/W]	[Btu/Wh]	[kcal/Wh]	P1	I	m	
[°C]	[°F]	[°C]	[°F]	[°C]	[°C]							[W]	[A]	[kg/h]	
[°C]	-23	54	32	32	331,7	1133	285,5	1,58	5,39	1,36	210,2	1,34	3,36	ASHRAE LBP	
[°F]	-10	130	90	90											
[°C]	-25	55	32	55	248,5	849	213,9	1,23	4,21	1,06	201,8	1,32	3,09	cecomaf LBP	
[°F]	-13	131	90	131											
[°C]	-35	40	20	40	188,7	645	162,4	1,21	4,13	1,04	156,2	1,19	2,16	EN12900 LBP	
[°F]	-31	104	68	104											
[°C]	-7	54	35	46	604,1	2063	519,9	2,07	7,06	1,78	292,4	1,62	6,89	ASHRAE MBP	
[°F]	20	130	95	115											
[°C]	-10	55	32	55	478,0	1632	411,3	1,72	5,87	1,48	278,0	1,57	6,05	cecomaf MBP	
[°F]	14	131	90	131											
[°C]	-10	45	20	45	538,2	1838	463,2	2,08	7,11	1,79	258,5	1,50	6,61	EN12900 MBP	
[°F]	14	113	68	113											

Performance tables

R290, 230V/60Hz, CSIR, fan 3m/s, UL, CB under prep.

	pe		Cooling capacity			COP	EER	P1	I	m	
	[°C]	[°F]	[W]	[Btu/h]	[kcal/h]	[W/W]	[Btu/Wh]	[kcal/Wh]	[W]	[A]	[kg/h]
[°C / °F]	-35	-31	180,4	616	155,3	1,14	3,90	0,98	157,8	1,20	2,02
cond. pressure	-25	-13	295,4	1009	254,3	1,49	5,09	1,28	198,3	1,31	3,33
pc= 45/113	-15	5	459,3	1569	395,3	1,92	6,55	1,65	239,6	1,44	5,23
return gas temp.	-10	14	560,3	1914	482,2	2,17	7,40	1,87	258,5	1,50	6,41
RGT= 32/90	-5	23	674,4	2303	580,4	2,45	8,37	2,11	275,1	1,56	7,76
liquid temp	0	32	801,9	2739	690,1	2,78	9,49	2,39	288,6	1,60	9,30
Tliq= 45/113	7,2	45	1009,6	3448	868,9	3,36	11,46	2,89	300,8	1,65	11,86
[°C / °F]	-35	-31	156,1	533	134,3	1,02	3,47	0,87	153,6	1,19	1,93
cond. pressure	-25	-13	248,5	849	213,9	1,23	4,21	1,06	201,8	1,32	3,09
pc= 55/131	-15	5	389,0	1328	334,8	1,54	5,25	1,32	253,2	1,48	4,89
return gas temp	-10	14	478,0	1632	411,3	1,72	5,87	1,48	278,0	1,57	6,05
RGT= 32/90	-5	23	579,8	1980	499,0	1,93	6,58	1,66	301,2	1,65	7,39
liquid temp	0	32	694,9	2373	598,0	2,16	7,37	1,86	321,8	1,73	8,93
Tliq= 55/131	7,2	45	884,3	3020	761,1	2,56	8,74	2,20	345,4	1,82	11,52

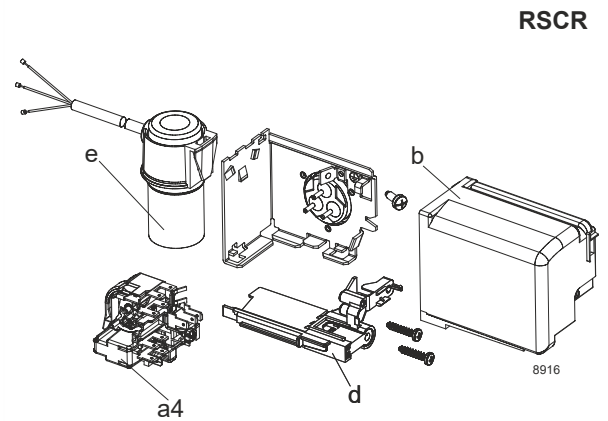
Model

Designation	KLF5.6CNT	208-230V/60Hz	Conf. 4	Sales code:	106H2602
-------------	------------------	----------------------	----------------	-------------	-----------------

Configuration

Motorconfiguration	RSCR
Power supply (nominal)	208-230V/60Hz 1~
Refrigerant	R290
Application	LBP+MBP
Voltage range	198-253V
Starting torque	LST
Approvals	UL
	CB under prep.

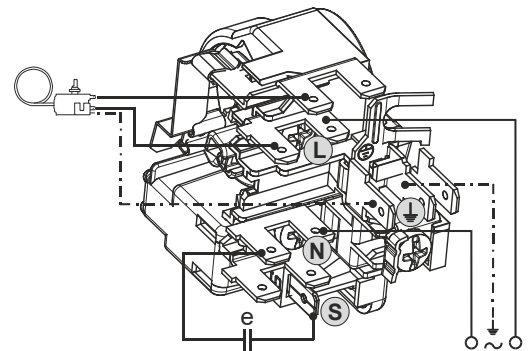
Electrical accessories / wiring diagram



RSCR

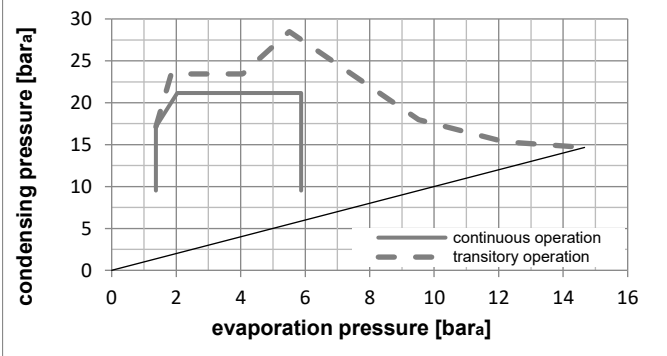
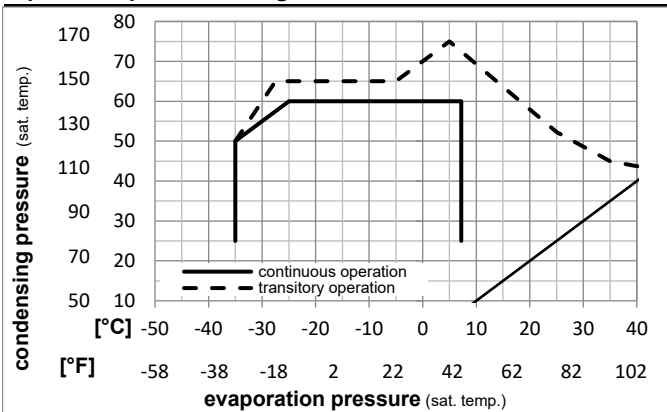
Ambient/ machine room temperatures minimum /maximum

Ambient temperature range:	10 - 43°C / 50 - 110°F
Machine room temperature range:	10 - 48°C / 50 - 119°F
Compressor cooling:	fan 3m/s



Operation Limits

Operation pressure range



Components

a4	DAS7 (PTC, 6.3mm, T1218/L6 - S7)	103N0256
e	run capacitor (5µF, 6,3mm)	117-7155
b, d	cover + clamp + screws(5VA) in bag	103N1060

Alternative components

b, d	cover + clamp + screws(5VA-compl.)	103N0600
------	------------------------------------	----------

Model

Designation **KLF5.6CNT** **208-230V/60Hz** Conf. 4 Sales code: **106H2602**

Optimization + standard conditions

R290, 230V/60Hz, RSCR, fan 3m/s, UL, CB under prep.

		Evaporating pressure (saturation temperature)				Condensing pressure (saturation temperature)					Power consumption				
		Return gas temp.			Liquid temp.		Cooling capacity			COP	EER	Current consumption		Ref. mass flow	
		pe	pc	RGT	Tliq	[W]	[Btu/h]	[kcal/h]	[W/W]	[Btu/Wh]	[kcal/Wh]	P1	I	m	
[°C]	[°F]	[°C]	[°F]	[°C]	[°C]							[W]	[A]	[kg/h]	
-23	-10	54	130	32	90	338,4	1156	291,2	1,68	5,73	1,44	201,7	1,04	3,43	ASHRAE LBP
-25	-13	55	131	32	90	253,6	866	218,2	1,31	4,47	1,13	193,7	1,01	3,16	cecomaf LBP
-35	-31	40	104	20	68	192,5	658	165,7	1,28	4,37	1,10	150,4	0,83	2,20	EN12900 LBP
-7	20	54	130	35	95	616,4	2105	530,5	2,20	7,50	1,89	280,6	1,38	7,03	ASHRAE MBP
-10	14	55	131	32	90	487,7	1665	419,7	1,83	6,24	1,57	266,7	1,32	6,17	cecomaf MBP
-10	14	45	113	20	68	549,1	1875	472,6	2,21	7,55	1,90	248,3	1,24	6,74	EN12900 MBP

Performance tables

R290, 230V/60Hz, RSCR, fan 3m/s, UL, CB under prep.

	pe		Cooling capacity			COP	EER		P1	I	m
	[°C]	[°F]	[W]	[Btu/h]	[kcal/h]	[W/W]	[Btu/Wh]	[kcal/Wh]	[W]	[A]	[kg/h]
[°C / °F]	-35	-31	184,1	629	158,4	1,21	4,14	1,04	151,8	0,84	2,06
cond. pressure	-25	-13	301,4	1029	259,4	1,58	5,40	1,36	190,5	0,99	3,40
pc= 45/113	-15	5	468,6	1600	403,3	2,04	6,95	1,75	230,2	1,16	5,33
return gas temp.	-10	14	571,6	1952	492,0	2,30	7,86	1,98	248,3	1,24	6,54
RGT= 32/90	-5	23	688,1	2350	592,1	2,60	8,89	2,24	264,2	1,31	7,92
liquid temp	0	32	818,1	2794	704,1	2,95	10,08	2,54	277,1	1,36	9,49
Tliq= 45/113	7,2	45	1030,1	3518	886,5	3,57	12,18	3,07	288,9	1,42	12,10
[°C / °F]	-35	-31	159,2	544	137,0	1,08	3,68	0,93	147,7	0,82	1,97
cond. pressure	-25	-13	253,6	866	218,2	1,31	4,47	1,13	193,7	1,01	3,16
pc= 55/131	-15	5	396,9	1355	341,6	1,63	5,58	1,41	242,9	1,21	4,99
return gas temp	-10	14	487,7	1665	419,7	1,83	6,24	1,57	266,7	1,32	6,17
RGT= 32/90	-5	23	591,6	2021	509,2	2,05	6,99	1,76	288,9	1,42	7,54
liquid temp	0	32	709,0	2421	610,2	2,30	7,84	1,98	308,7	1,50	9,11
Tliq= 55/131	7,2	45	902,4	3082	776,6	2,72	9,30	2,34	331,4	1,61	11,76