

## Model

Designation	<b>KLF7.7CNDS</b>	220-240V/50Hz 1~	Sales code:	<b>106h2803</b>
-------------	-------------------	------------------	-------------	-----------------

## Compressor design

Oil type	Polyolester	Refrigerant(s)	<b>R290</b>
Oil viscosity	9,7cST	Displacement	7,7cm <sup>3</sup> / 0,47cu.in
Oil quantity	170cm <sup>3</sup> / 5,7fl.oz	Compressors on pallet	100
Refr. charge - tech. limit	200g / 7,1oz		
Free gas volume comp.	1575cm <sup>3</sup> / 53,3fl.oz		
Weight	9,6kg / 21,2lbs		
Motor protection	external		
Winding resistance main	8,4Ω (at 25°C)		
Winding resistance aux	11,9Ω (at 25°C)		
Max. winding temp.	125°C / 257°F		
Max. discharge temp.	130°C / 266°F		
Additional note	Very good robustness against liquid intake. Ice-cube maker optimization - indirect suction intake.		



## General - Configurations with KLF7.7CNDS

	<b>Conf. 1</b>
Motorconfiguration	CSIR
Power supply (nominal)	220-240V/50Hz
Number of phases	1
Voltage range	198-254V
Approvals	VDE, CCC
Starting torque	HST
Note	- / -

## Applications with KLF7.7CNDS

	<b>Conf. 1</b>
Refrigerant	R290
Application	LBP+MBP
System cooling	fan 3m/s
Hot gas defrost	OK
Long interval pull down	OK

## Electrical data - Configurations with KLF7.7CNDS

	<b>Conf. 1</b>
Starting device type	relay
Run capacitor	- / -
Start capacitor	80μF
LRA (locked rotor amps / 4s)	12,3A
RLA (rated load amps / 1s)	2,1A
Cut in current	12,3A

## Model

Designation

**KLF7.7CNDS**

220-240V/50Hz 1~

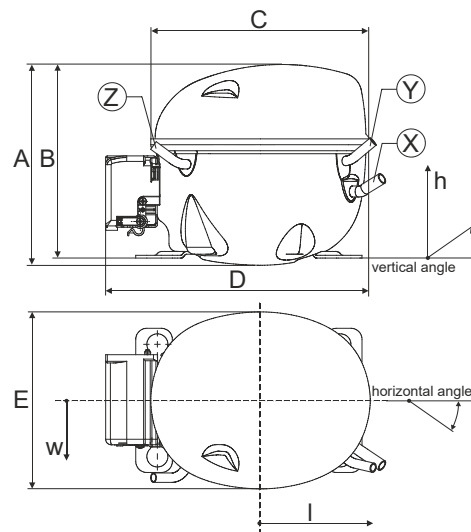
Sales code:

**106h2803**

## Compressor dimensions

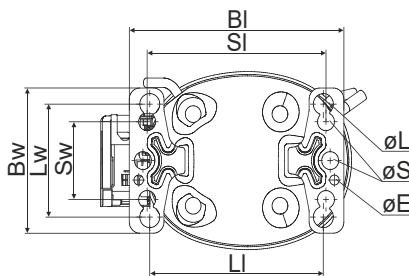
Housing	A Height	182mm / 7,17in
	B Height	175mm / 6,89in
	C Length shell	198mm / 7,8in
	D Length w. cover	238mm / 9,37in
	E Width	160mm / 6,3in

Connectors	Suction X	Discharge Y	Process Z
Diameter [mm]	øi 8,11-8,29	øi 6,11-6,29	øi 6,11-6,29
(i:inside, o:outside) [in]	øi 0,32-0,33	øi 0,24-0,25	øi 0,24-0,25
Material	copper	copper	copper
Horizontal angle ±2°	35°	13°	0°
Vertical angle ±2°	30°	40°	145°
Position l/h/w [mm]	120/72/62	112/106/62	-97/102/70
[in]	4,7/2,8/2,4	4,4/4,2/2,4	-3,8/4/2,8
Straight tube l. [mm]	14	14	14
[in]	0,5	0,5	0,5

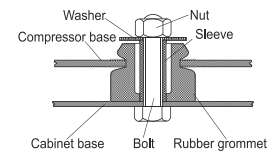


## Compressor fixation

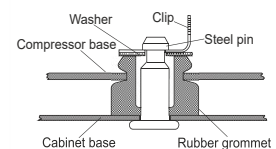
### Bolt joint



Baseplate	[mm]	[inch]
BI	204	8.03
BW	132	5.2
øE	ø 9.7	ø 0.38
Large holes	[mm]	[inch]
LI	165	6.5
Lw	101.6	4
øL	ø 19	ø 0.75
Small holes	[mm]	[inch]
SI	170	6.7
Sw	70	2.76
øS	ø 16	ø 0.63



### Snap-on



## Mounting accessories

	one comp.	multi pack
Bolt joint   M6   ø16mm	118-1917	118-1918
Bolt joint   ø1/4"   ø16mm	118-1946	
Bolt joint   ø1/4"   ø19mm	118-1949	
Snap-on   ø7,3   ø16mm	118-1947	118-1919

## Application notes

Provision for PE Grounding is located at the PE Stamp on the compressor

## Model

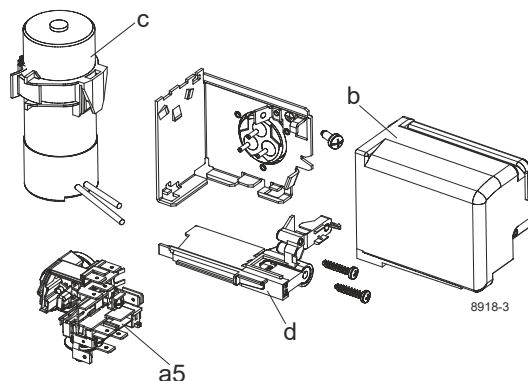
Designation	<b>KLF7.7CNDS</b>	<b>220-240V/50Hz</b>	<b>Conf. 1</b>	Sales code:	<b>106h2803</b>
-------------	-------------------	----------------------	----------------	-------------	-----------------

## Configuration

Motorconfiguration	CSIR
Power supply (nominal)	220-240V/50Hz 1~
Refrigerant	R290
Application	LBP+MBP
Voltage range	198-254V
Starting torque	HST
Approvals	VDE CCC

## Electrical accessories / wiring diagram

CSIR

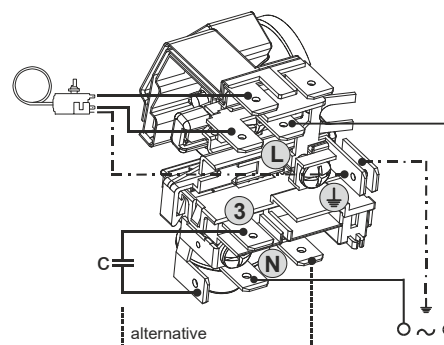
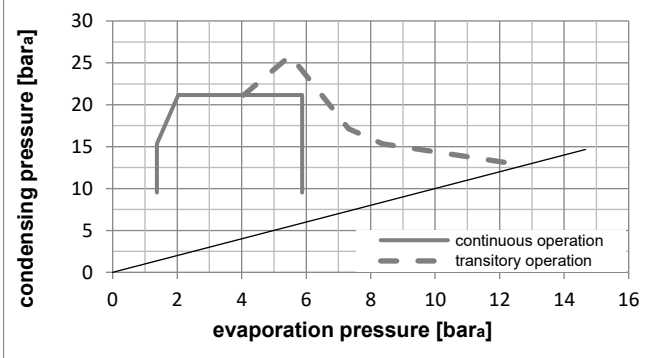
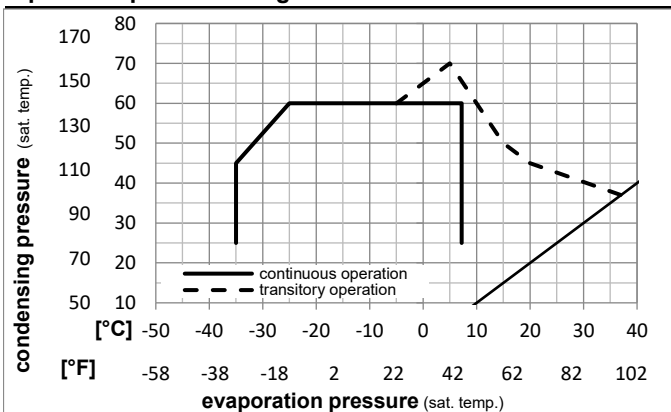


## Ambient/ machine room temperatures minimum /maximum

Ambient temperature range:	10 - 43°C / 50 - 110°F
Machine room temperature range:	10 - 48°C / 50 - 119°F
Compressor cooling:	fan 3m/s

## Operation Limits

## Operation pressure range



## Components

a5	current relay TY (T0377/L6-S1)	117U7071
c	start capacitor (80μF, 6.3mm)	117U5001
b, d	cover + clamp + screws(5VA) in bag	103N1060

## Alternative components

b, d	cover + clamp + screws(5VA-compl.)	103N0600
------	------------------------------------	----------

## Model

Designation **KLF7.7CNDS 220-240V/50Hz** Conf. 1 Sales code: **106h2803**

## Optimization + standard conditions

R290, 220V/50Hz, CSIR, fan 3m/s, VDE, CCC

		Evaporating pressure (saturation temperature)				Condensing pressure (saturation temperature)			Return gas temp.			Liquid temp.			Cooling capacity			COP	EER	Power consumption			
		pe	pc	RGT	Tliq	[W]	[Btu/h]	[kcal/h]	[W/W]	[Btu/Wh]	[kcal/Wh]	P1	I	m	[W]	[A]	[kg/h]						
[°C]	[°F]	[°C]	[°F]	[°C]	[°F]																		
-23	-10	54	130	32	90	371,0	1267	319,3	1,48	5,05	1,27	251,0	1,66	3,76							ASHRAE LBP		
-25	-13	55	131	32	90	277,5	948	238,8	1,15	3,92	0,99	242,0	1,64	3,46							cecomaf LBP		
-35	-31	40	104	20	68	214,8	734	184,8	1,17	4,01	1,01	182,8	1,47	2,45							EN12900 LBP		
-7	20	54	130	35	95	663,5	2266	571,0	1,95	6,67	1,68	339,6	1,97	7,57							ASHRAE MBP		
-10	14	55	131	32	90	528,0	1803	454,4	1,63	5,57	1,40	324,0	1,91	6,68							cecomaf MBP		
-10	14	45	113	20	68	587,2	2005	505,4	1,98	6,76	1,70	296,7	1,81	7,21							EN12900 MBP		

## Performance tables

R290, 220V/50Hz, CSIR, fan 3m/s, VDE, CCC

	pe		Cooling capacity			COP	EER	P1	I	m	
	[°C]	[°F]	[W]	[Btu/h]	[kcal/h]	[W/W]	[Btu/Wh]	[kcal/Wh]	[W]	[A]	[kg/h]
[°C / °F]	-35	-31	202,7	692	174,4	1,08	3,70	0,93	187,1	1,48	2,27
cond. pressure	-25	-13	330,0	1127	284,0	1,42	4,86	1,22	231,9	1,60	3,72
pc= 45/113	-15	5	504,6	1723	434,2	1,83	6,26	1,58	275,4	1,74	5,74
return gas temp.	-10	14	611,3	2088	526,1	2,06	7,04	1,77	296,7	1,81	6,99
RGT= 32/90	-5	23	731,9	2499	629,8	2,30	7,87	1,98	317,7	1,89	8,43
liquid temp	0	32	866,9	2961	746,1	2,56	8,75	2,20	338,4	1,97	10,06
Tliq= 45/113	7,2	45	1088,2	3716	936,5	2,96	10,11	2,55	367,4	2,08	12,78
[°C / °F]	-35	-31	164,7	563	141,8	0,89	3,06	0,77	184,1	1,48	2,04
cond. pressure	-25	-13	277,5	948	238,8	1,15	3,92	0,99	242,0	1,64	3,46
pc= 55/131	-15	5	432,8	1478	372,4	1,46	4,97	1,25	297,4	1,82	5,44
return gas temp	-10	14	528,0	1803	454,4	1,63	5,57	1,40	324,0	1,91	6,68
RGT= 32/90	-5	23	635,9	2172	547,2	1,82	6,21	1,56	349,9	2,01	8,10
liquid temp	0	32	757,0	2585	651,5	2,02	6,89	1,74	375,1	2,11	9,72
Tliq= 55/131	7,2	45	956,1	3265	822,9	2,33	7,96	2,01	410,1	2,25	12,46