

Model

Designation	SC15GHH	220-240V/50Hz 1~	220-240V/60Hz 1~	Sales code:	104G8572
-------------	----------------	-------------------------	-------------------------	-------------	-----------------

Compressor design

Oil type	Polyolester	Refrigerant(s)	R134a
Oil viscosity	22cST	Displacement	15,28cm ³ / 0,93cu.in
Oil quantity	449cm ³ / 15,2fl.oz	Compressors on pallet	80
Refr. charge - tech. limit	1300g / 45,9oz		
Free gas volume comp.	1540cm ³ / 52,1fl.oz		
Weight	13kg / 28,7lbs		
Motor protection	1# internal		
Winding resistance main	5,13Ω (at 25°C)		
Winding resistance aux	13,51Ω (at 25°C)		
Max. winding temp.	125°C / 257°F		
Max. discharge temp.	140°C / 284°F		



General - Configurations with SC15GHH

	Conf. 1	Conf. 2
Motorconfiguration	CSCR	CSCR
Power supply (nominal)	220-240V/50Hz	220-240V/60Hz
Number of phases	1	1
Voltage range	198-254V	198-254V
Approvals	VDE	VDE
Starting torque	HST	HST
Note	- / -	

Applications with SC15GHH

	Conf. 1	Conf. 2
Refrigerant	R134a	R134a
Application	HBP	HBP
System cooling	oil cooled	oil cooled
Hot gas defrost	OK	OK
Long interval pull down	OK	OK

Electrical data - Configurations with SC15GHH

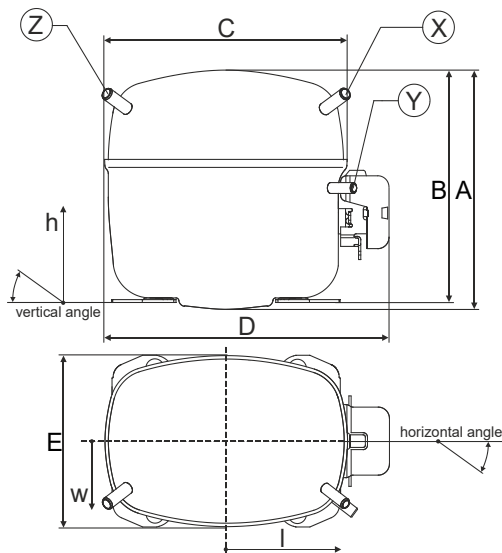
	Conf. 1	Conf. 2
Starting device type	relay	relay
Run capacitor	10μF	10μF
Start capacitor	80μF	80μF
LRA (locked rotor amps / 4s)	16,2A	15,6A
RLA (rated load amps / 1s)	3,1A	2,8A
Cut in current	16,2A	15,6A

Model

Designation **SC15GHH** 220-240V/50Hz 1~ 220-240V/60Hz 1~ Sales code: **104G8572**

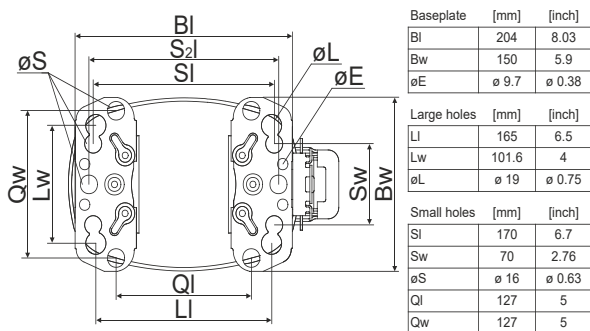
Compressor dimensions

Housing	A Height	209mm / 8,23in
	B Height	203mm / 7,99in
	C Length shell	218mm / 8,58in
	D Length w. cover	255mm / 10,04in
	E Width	151mm / 5,94in

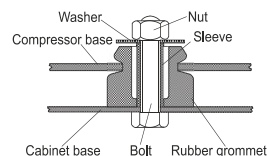


Connectors	Suction		Discharge		Process	
	X		Y		Z	
Diameter [mm]	øi 10,11-10,29		øi 8,11-8,29		øi 6,11-6,29	
(i:inside, o:outside) [in]	øi 0,4-0,41		øi 0,32-0,33		øi 0,24-0,25	
Material	copper		copper		copper	
Horizontal angle ±2°	37°		37°		143°	
Vertical angle ±2°	30°		0°		150°	
Position l/h/w [mm]	107/183/55		115/100/63		-107/183/55	
[in]	4,2/7,2/2,2		4,5/3,9/2,5		-4,2/7,2/2,2	
Straight tube l. [mm]	12		12		12	
[in]	0,5		0,5		0,5	

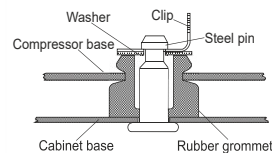
Compressor fixation



Bolt joint



Snap-on



Mounting accessories

	one comp.	multi pack
Bolt joint M6 ø16mm	118-1917	118-1918
Bolt joint ø1/4" ø16mm	118-1946	
Bolt joint ø1/4" ø19mm	118-1949	
Snap-on ø7,3 ø16mm	118-1947	118-1919

Application notes

Provision for PE Grounding is located at the PE Stamp on the compressor

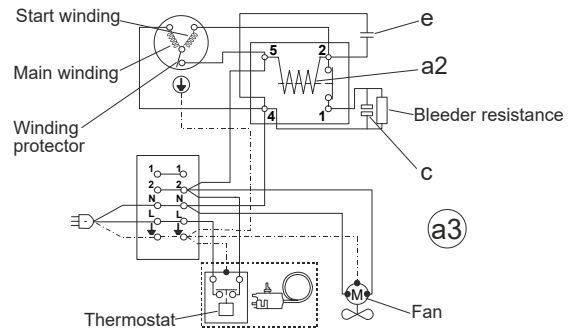
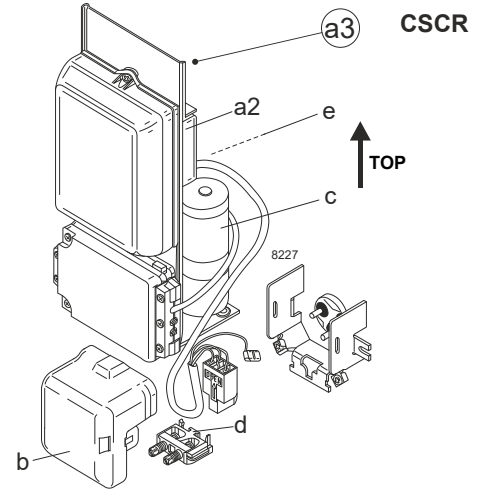
Model

Designation	SC15GHH	220-240V/50Hz	Conf. 1	Sales code:	104G8572
-------------	----------------	----------------------	---------	-------------	-----------------

Configuration

Motorconfiguration	CSCR
Power supply (nominal)	220-240V/50Hz 1~
Refrigerant	R134a
Application	HBP
Voltage range	198-254V
Starting torque	HST
Approvals	VDE

Electrical accessories / wiring diagram



Ambient/ machine room temperatures minimum /maximum

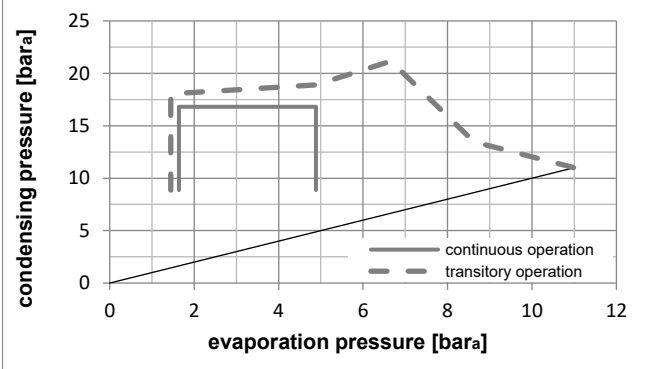
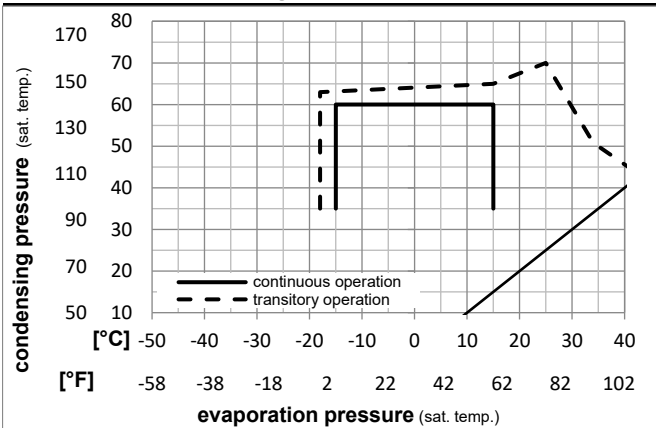
Ambient temperature range: 10 - 43°C / 50 - 110°F

Machine room temperature range: 10 - 48°C / 50 - 119°F

Compressor cooling: oil or fan 1,5m/s

Operation Limits

Operation pressure range



Components

a3	SC starter kit (550mm)	117-7027
b	plastic cover	103N2009
d	cord relief	103N1004

Alternative components

a3	SC starter kit (1000mm)	117-7040
a3	SC starter kit (650mm)	117-7046
c	start capacitor (80µF)	117U5373
e	run capacitor (10µF, 6.3mm)	117-7112

Model

Designation **SC15GHH** **220-240V/50Hz** Conf. 1 Sales code: **104G8572**

Optimization + standard conditions

R134a, 220V/50Hz, CSCR, fan 1,5m/s, VDE

Evaporating pressure (saturation temperature)				Condensing pressure (saturation temperature)			Cooling capacity				COP		EER		Power consumption		Ref. mass flow m	
pe	pc	RGT	Tliq	[W]	[Btu/h]	[kcal/h]	[W/W]	[Btu/Wh]	[kcal/Wh]	P1	I	[W]	[A]	[kg/h]				
[°C]	7,2	54	35	46	1383,1	4723	1190,3	2,66	9,07	2,29	520,8	2,46	30,68	ASHRAE HBP				
[°F]	45	130	95	115														
[°C]	5	55	32	55	1134,9	3876	976,7	2,25	7,68	1,93	504,8	2,39	27,97	cecomaf HBP				
[°F]	41	131	90	131														
[°C]	5	50	20	50	1168,7	3991	1005,8	2,40	8,19	2,06	487,2	2,31	29,45	EN12900 HBP				
[°F]	41	122	68	122														
[°C]	-7	54	35	46	740,5	2529	637,3	1,84	6,28	1,58	402,5	1,94	16,16	ASHRAE MBP				
[°F]	20	130	95	115														
[°C]	-10	55	32	55	570,1	1947	490,6	1,51	5,16	1,30	377,0	1,84	13,79	cecomaf MBP				
[°F]	14	131	90	131														
[°C]	-10	45	20	45	636,4	2173	547,7	1,74	5,94	1,50	366,0	1,79	14,90	EN12900 MBP				
[°F]	14	113	68	113														

Performance tables

R134a, 220V/50Hz, CSCR, fan 1,5m/s, VDE

	pe		Cooling capacity			COP		EER		P1	I	m
	[°C]	[°F]	[W]	[Btu/h]	[kcal/h]	[W/W]	[Btu/Wh]	[kcal/Wh]	[W]	[A]	[kg/h]	
[°C / °F]	-15	5	489,2	1671	421,0	1,44	4,91	1,24	340,4	1,69	10,66	
cond. pressure	-10	14	660,2	2255	568,2	1,80	6,16	1,55	366,0	1,79	14,45	
pc= 45/113	-5	23	852,0	2910	733,2	2,14	7,30	1,84	398,6	1,93	18,73	
return gas temp.	0	32	1073,0	3665	923,5	2,47	8,44	2,13	434,0	2,08	23,73	
RGT= 32/90	5	41	1332,1	4549	1146,4	2,85	9,73	2,45	467,5	2,23	29,66	
liquid temp	10	50	1637,9	5594	1409,6	3,31	11,30	2,85	494,8	2,35	36,75	
Tliq= 45/113	15	59	1998,9	6827	1720,3	3,91	13,35	3,36	511,4	2,42	45,28	
[°C / °F]	-15	5	434,9	1485	374,3	1,26	4,30	1,08	345,3	1,71	10,47	
cond. pressure	-10	14	570,1	1947	490,6	1,51	5,16	1,30	377,0	1,84	13,79	
pc= 55/131	-5	23	726,1	2480	624,9	1,74	5,94	1,50	417,1	2,01	17,65	
return gas temp	0	32	911,4	3113	784,4	1,98	6,75	1,70	461,2	2,20	22,29	
RGT= 32/90	5	41	1134,9	3876	976,7	2,25	7,68	1,93	504,8	2,39	27,97	
liquid temp	10	50	1405,0	4798	1209,2	2,59	8,83	2,22	543,5	2,56	34,93	
Tliq= 55/131	15	59	1730,6	5910	1489,4	3,02	10,32	2,60	572,8	2,70	43,47	

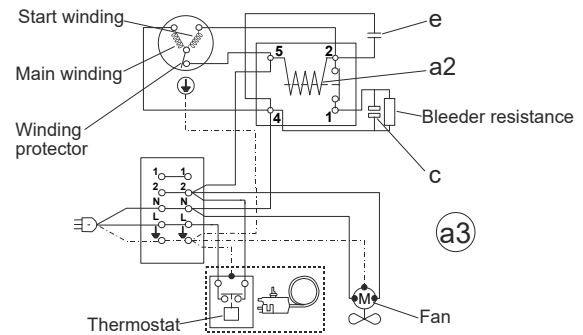
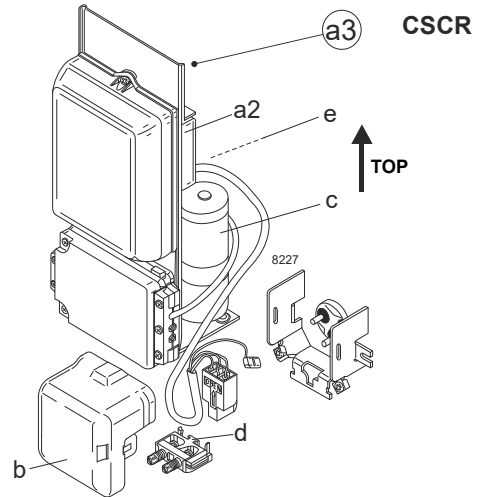
Model

Designation	SC15GHH	220-240V/60Hz	Conf. 2	Sales code:	104G8572
-------------	----------------	----------------------	----------------	-------------	-----------------

Configuration

Motorconfiguration	CSCR
Power supply (nominal)	220-240V/60Hz 1~
Refrigerant	R134a
Application	HBP
Voltage range	198-254V
Starting torque	HST
Approvals	VDE

Electrical accessories / wiring diagram



Ambient/ machine room temperatures minimum /maximum

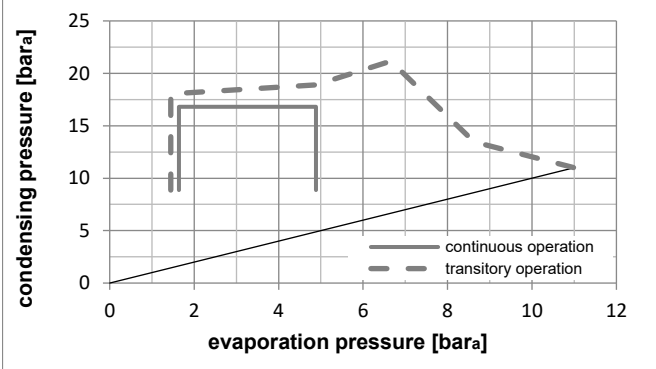
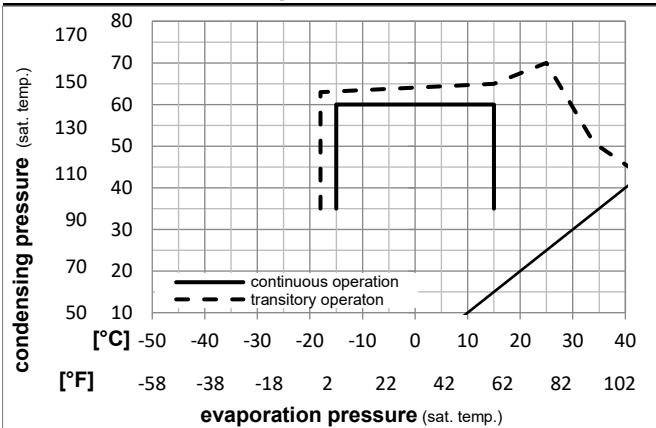
Ambient temperature range: 10 - 43°C / 50 - 110°F

Machine room temperature range: 10 - 48°C / 50 - 119°F

Compressor cooling: oil or fan 1,5m/s

Operation Limits

Operation pressure range



Components

a3	SC starter kit (550mm)	117-7027
b	plastic cover	103N2009
d	cord relief	103N1004

Alternative components

a3	SC starter kit (1000mm)	117-7040
a3	SC starter kit (650mm)	117-7046
c	start capacitor (80µF)	117U5373
e	run capacitor (10µF, 6.3mm)	117-7112

Model

Designation **SC15GHH** **220-240V/60Hz** Conf. 2 Sales code: **104G8572**

Optimization + standard conditions

R134a, 220V/60Hz, CSCR, fan 1,5m/s, VDE

		Evaporating pressure (saturation temperature)				Condensing pressure (saturation temperature)						Power consumption			
		Return gas temp.		Liquid temp.		Cooling capacity		COP	EER		P1	I	Ref. mass flow		
		pe	pc	RGT	Tliq	[W]	[Btu/h]	[kcal/h]	[W/W]	[Btu/Wh]	[kcal/Wh]	[W]	[A]	[kg/h]	
[°C]	[°F]														
		7,2	54	35	46	1661,4	5674	1429,8	2,73	9,31	2,35	609,6	2,75	36,86	ASHRAE HBP
		45	130	95	115										
		5	55	32	55	1363,2	4656	1173,2	2,31	7,88	1,99	590,5	2,67	33,59	cecomaf HBP
		41	131	90	131										
		5	50	20	50	1403,7	4794	1208,0	2,46	8,42	2,12	569,5	2,57	35,37	EN12900 HBP
		41	122	68	122										
		-7	54	35	46	889,1	3036	765,2	1,90	6,49	1,64	467,7	2,13	19,40	ASHRAE MBP
		20	130	95	115										
		-10	55	32	55	684,5	2338	589,1	1,57	5,35	1,35	437,0	2,00	16,55	cecomaf MBP
		14	131	90	131										
		-10	45	20	45	763,9	2609	657,4	1,80	6,16	1,55	423,7	1,94	17,88	EN12900 MBP
		14	113	68	113										

Performance tables

R134a, 220V/60Hz, CSCR, fan 1,5m/s, VDE

	pe		Cooling capacity			COP	EER		P1	I	m
	[°C]	[°F]	[W]	[Btu/h]	[kcal/h]	[W/W]	[Btu/Wh]	[kcal/Wh]	[W]	[A]	[kg/h]
[°C / °F]	-15	5	587,1	2005	505,3	1,49	5,10	1,29	392,9	1,81	12,80
cond. pressure	-10	14	792,5	2707	682,1	1,87	6,39	1,61	423,7	1,94	17,35
pc= 45/113	-5	23	1022,8	3493	880,3	2,21	7,54	1,90	463,1	2,11	22,49
return gas temp.	0	32	1288,4	4400	1108,8	2,55	8,70	2,19	505,6	2,30	28,49
RGT= 32/90	5	41	1599,8	5463	1376,8	2,93	10,01	2,52	545,8	2,47	35,62
liquid temp	10	50	1967,2	6718	1693,0	3,40	11,61	2,93	578,6	2,61	44,14
Tliq= 45/113	15	59	2401,2	8200	2066,5	4,01	13,71	3,45	598,3	2,71	54,39
[°C / °F]	-15	5	522,0	1783	449,2	1,31	4,47	1,13	398,9	1,84	12,57
cond. pressure	-10	14	684,5	2338	589,1	1,57	5,35	1,35	437,0	2,00	16,55
pc= 55/131	-5	23	871,9	2978	750,3	1,80	6,14	1,55	485,3	2,21	21,19
return gas temp	0	32	1094,6	3738	942,1	2,03	6,95	1,75	538,2	2,44	26,78
RGT= 32/90	5	41	1363,2	4656	1173,2	2,31	7,88	1,99	590,5	2,67	33,59
liquid temp	10	50	1687,9	5765	1452,7	2,65	9,05	2,28	636,8	2,87	41,96
Tliq= 55/131	15	59	2079,3	7101	1789,5	3,10	10,57	2,66	671,8	3,03	52,23