

Model

Designation **CU DLE4.8CN R290 230/1/50 CAP**



Sales code: 314H2000
Engineering code: CUDLE48CN0CE

Application Data

Power supply 220-240V / 50Hz 1~
Refrigerants R290
Refr. charge - tech. limit 150g / 5,3oz
Starter HST / capillary tube or expansion valve
Sound pressure (10m) 25,3dB(A)

Generic data

Voltage range 198 - 254V / 50Hz
Refrigerant R290
Application LBP+MBP

Rated performance pe=-10°C, Tsuc=20°C, Tamb=25°C, subccoling: 2K
Cooling capacity 410W / 1401Btu/h
Power consumption 181,9W
Current consumption 1,1A
COP/EER 2,26 / 7,7Btu/Wh

Approvals Eco design (EU) 2015/1095,
CE, UK CA, VDE

Compressor

Designation **DLE4.8CN**
Motor configuration CSIR
Locked rotor amperage 6,54A
Rated load amperage 1,25A
Winding resistance main 17,3Ω
Winding resistance aux 18,76Ω
Oil quantity 230cm³ / 7,8fl.oz
Oil type POE
Horsepower rating 1/4 HP

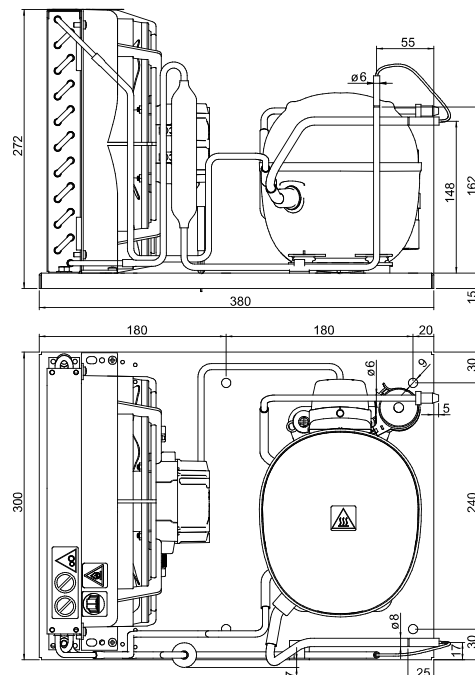
Dimensions

Condensing unit

Height x Width x Depth 272 x 300 x 380 [mm] / 10,7 x 11,8 x 15 [in]
Weight 13,4kg / 29,5lbs
Suction adapter OD ø8mm / 1/3in
Discharge adapter OD ø6mm / 1/4in
Process connector ø6,2mm / 0,24in

Package data

Height x Width x Depth 300 x 340 x 494 [mm] / 11,8 x 13,4 x 19,4 [in]
Weight 16,4kg / 36,2lbs



Model

Designation **CU DLE4.8CN R290 230/1/50 CAP**

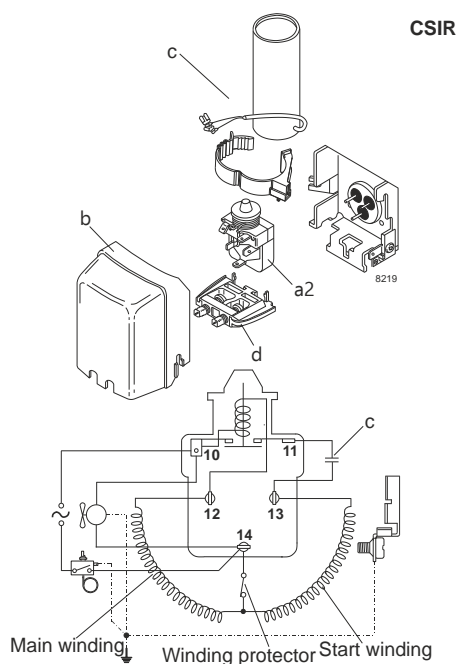
Sales code: 314H2000
Engineering code: CUDLE48CN0CE

Components Condensing-Unit / Spare Parts

Component	Type	Spare part code number
Compressor code	DLE4.8CN	102H4565
Condenser	Condenser (2 rows x 10 tubes)	SP 314S0008
Fan motor	14W	MP 314S0016
Blade code	ø230mm 28°	SP 314S0025
Air flow	510,4m³/h	
Receiver code	not installed	-/-
Suction valve code	OD ø8mm / 1/3in	-/-
Liquid valve code	OD ø6mm / 1/4in	-/-

Compressor starting equipment	Spare part code number
pos. a2 - current relay	117U7001
pos. c - start capacitor (60µF)	117U5014
pos. b - plastic cover	103N0491
pos. d - cord relief	103N1010

Wiring Sketch Compressor



Model

Designation	CU DLE4.8CN R290 230/1/50 CAP	Sales code:	314H2000
		Engineering code:	CUDLE48CN0CE

Cooling performance - Conf. 1

Power supply	220-240V / 50Hz 1~	Voltage range	198 - 254V / 50Hz
Refr. charge - tech. limit	150g / 5,3oz		
Starter	HST / capillary tube or expansion valve		
Motor configuration	CSIR		
Refrigerant	R290		
Application	LBP+MBP		
Approvals	Eco design (EU) 2015/1095, CE, UK CA, VDE		

ambient temperature	[°C / °F]	25 / 77							(suction gas temperature [°C / °F]: 20 / 68, subcooling: 2K)
evaporating temperature	[°C / °F]	-35 / -31	-30 / -22	-25 / -13	-20 / -4	-10 / 14	0 / 32	10 / 50	
cooling capacity	[W]	179	218	258	302	410	555	744	
COP	[W/W]	1,48	1,65	1,79	1,94	2,25	2,67	3,17	
cooling capacity	[Btu/h]	612	744	882	1033	1401	1895	2540	
power consumption	[W]	121	132	144	156	182	208	235	
current consumption	[A]	1	1	1	1,1	1,1	1,2	1,3	

ambient temperature	[°C / °F]	32 / 90							(suction gas temperature [°C / °F]: 20 / 68, subcooling: 2K)
evaporating temperature	[°C / °F]	-35 / -31	-30 / -22	-25 / -13	-20 / -4	-10 / 14	0 / 32	10 / 50	
cooling capacity	[W]	126	168	212	260	370	511	686	
COP	[W/W]	0,98	1,2	1,39	1,57	1,9	2,25	2,63	
cooling capacity	[Btu/h]	429	574	725	886	1265	1747	2342	
power consumption	[W]	128	140	153	166	195	227	261	
current consumption	[A]	0,9	1	1	1,1	1,2	1,3	1,4	

ambient temperature	[°C / °F]	38 / 100							(suction gas temperature [°C / °F]: 20 / 68, subcooling: 2K)
evaporating temperature	[°C / °F]	-35 / -31	-30 / -22	-25 / -13	-20 / -4	-10 / 14	0 / 32	10 / 50	
cooling capacity	[W]	107	151	195	241	346	473	624	
COP	[W/W]	0,82	1,05	1,23	1,39	1,68	1,95	2,2	
cooling capacity	[Btu/h]	365	515	666	824	1181	1614	2133	
power consumption	[W]	131	144	158	173	206	243	283	
current consumption	[A]	0,9	1	1	1,1	1,2	1,4	1,5	

ambient temperature	[°C / °F]	43 / 109							(suction gas temperature [°C / °F]: 20 / 68, subcooling: 2K)
evaporating temperature	[°C / °F]	-35 / -31	-30 / -22	-25 / -13	-20 / -4	-10 / 14	0 / 32	10 / 50	
cooling capacity	[W]	104	146	187	229	321	431	561	
COP	[W/W]	0,78	1	1,16	1,29	1,49	1,68	1,86	
cooling capacity	[Btu/h]	355	499	639	783	1098	1472	1915	
power consumption	[W]	133	146	161	178	215	257	302	
current consumption	[A]	0,9	1	1,1	1,1	1,2	1,4	1,6	