

Model

Designation **CU NLE126MN R290 230/1/50 CAP**



Sales code: 314H5007
Engineering code: CUNLE126MNVE

Application Data

Power supply 220-240V / 50Hz 1~
Refrigerants R290
Refr. charge - tech. limit 150g / 5,3oz
Starter HST / capillary tube or expansion valve
Sound pressure (10m) 31,9dB(A)

Generic data

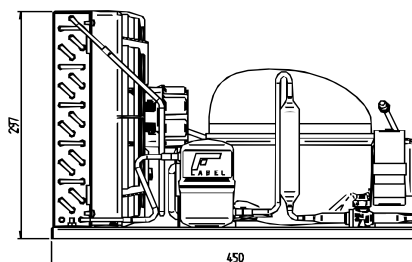
Voltage range 198 - 254V / 50Hz
Refrigerant R290
Application MBP

Rated performance pe=-10°C, Tsuc=20°C, Tamb=25°C, subccoling: 0K
Cooling capacity 995W / 3398Btu/h
Power consumption 479,7W
Current consumption 2,9A
COP/EER 2,07 / 7,08Btu/Wh

Approvals Eco design (EU) 2015/1095,
CE, UK CA, VDE

Compressor

Designation **NLE12.6MN**
Motor configuration CSIR
Locked rotor amperage 14,4A
Rated load amperage 2,98A
Winding resistance main 4,74Ω
Winding resistance aux 7,92Ω
Oil quantity 300cm³ / 10,1fl.oz
Oil type POE
Horsepower rating 3/5 HP



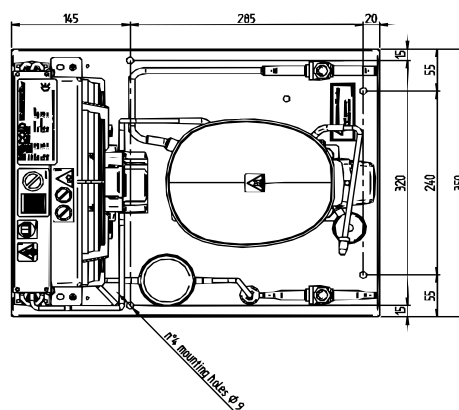
Dimensions

Condensing unit

Height x Width x Depth 297 x 350 x 450 [mm] / 11,7 x 13,8 x 17,7 [in]
Weight 21kg / 46,3lbs
Suction adapter OD ø10mm / 2/5in
Discharge adapter OD ø6mm / 1/4in
Process connector ø6,2mm / 0,24in

Package data

Height x Width x Depth 340 x 372 x 570 [mm] / 13,4 x 14,6 x 22,4 [in]
Weight 24kg / 52,9lbs



Model

Designation **CU NLE126MN R290 230/1/50 CAP**

Sales code: 314H5007

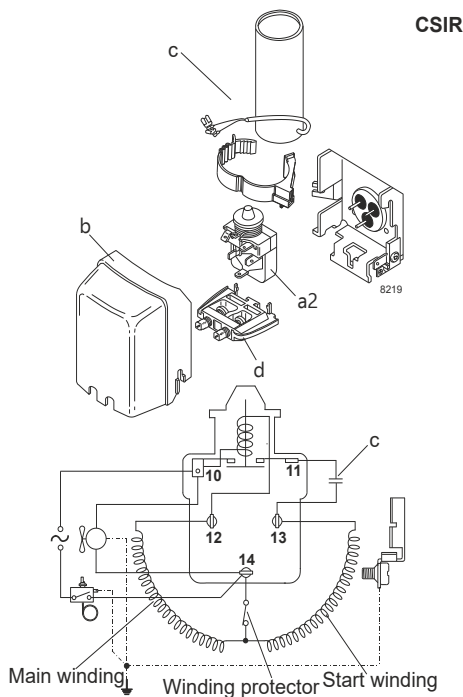
Engineering code: CUNLE126MNVE

Components Condensing-Unit / Spare Parts

Component	Type	Spare part code number
Compressor code	NLE12.6MN	105H6377
Condenser	Condenser (3 rows x 11 tubes)	314S0010
Fan motor	30W	314S0017
Blade code	ø254mm 28°	314S0027
Air flow	576,9m³/h	
Receiver code	Receiver 0,32 liter	314S0049
Suction valve code	OD ø10mm / 2/5in	-/-
Liquid valve code	OD ø6mm / 1/4in	-/-

Compressor starting equipment	Spare part code number
pos. a2 - relay	117U7011
pos. c - start capacitor (80µF)	117U5015
pos. b - plastic cover	103N2010
pos. d - cord relief	103N1010

Wiring Sketch Compressor



Model

Designation	CU NLE126MN R290 230/1/50 CAP	Sales code:	314H5007
		Engineering code:	CUNLE126MNVE

Cooling performance - Conf. 1

Power supply	220-240V / 50Hz 1~	Voltage range	198 - 254V / 50Hz
Refr. charge - tech. limit	150g / 5,3oz		
Starter	HST / capillary tube or expansion valve		
Motor configuration	CSIR		
Refrigerant	R290		
Application	MBP		
Approvals	Eco design (EU) 2015/1095, CE, UK CA, VDE		

ambient temperature	[°C / °F]	25 / 77							(suction gas temperature [°C / °F]: 20 / 68, subcooling: 0K)
evaporating temperature	[°C / °F]	-25 / -13	-20 / -4	-15 / 5	-10 / 14	0 / 32	5 / 41	10 / 50	
cooling capacity	[W]	588	710	846	995	1322	1494	1669	
COP	[W/W]	1,62	1,77	1,93	2,07	2,29	2,34	2,35	
cooling capacity	[Btu/h]	2008	2424	2889	3398	4514	5103	5701	
power consumption	[W]	364	401	439	480	577	638	711	
current consumption	[A]	2,5	2,6	2,7	2,9	3,3	3,5	3,9	

ambient temperature	[°C / °F]	32 / 90							(suction gas temperature [°C / °F]: 20 / 68, subcooling: 0K)
evaporating temperature	[°C / °F]	-25 / -13	-20 / -4	-15 / 5	-10 / 14	0 / 32	5 / 41	10 / 50	
cooling capacity	[W]	540	649	771	905	1198	1352	1509	
COP	[W/W]	1,44	1,56	1,68	1,79	1,93	1,95	1,93	
cooling capacity	[Btu/h]	1845	2217	2633	3089	4091	4619	5154	
power consumption	[W]	375	415	458	505	621	694	781	
current consumption	[A]	2,5	2,7	2,8	3	3,5	3,8	4,2	

ambient temperature	[°C / °F]	38 / 100							(suction gas temperature [°C / °F]: 20 / 68, subcooling: 0K)
evaporating temperature	[°C / °F]	-25 / -13	-20 / -4	-15 / 5	-10 / 14	0 / 32	5 / 41	10 / 50	
cooling capacity	[W]	493	593	704	826	1094	1235	1377	
COP	[W/W]	1,27	1,38	1,48	1,56	1,65	1,66	1,63	
cooling capacity	[Btu/h]	1684	2025	2405	2822	3735	4217	4702	
power consumption	[W]	388	430	477	530	662	745	843	
current consumption	[A]	2,6	2,7	2,9	3,1	3,6	4	4,4	

ambient temperature	[°C / °F]	43 / 109							(suction gas temperature [°C / °F]: 20 / 68, subcooling: 0K)
evaporating temperature	[°C / °F]	-25 / -13	-20 / -4	-15 / 5	-10 / 14	0 / 32			
cooling capacity	[W]	453	546	650	763	1012			
COP	[W/W]	1,14	1,24	1,32	1,38	1,46			
cooling capacity	[Btu/h]	1549	1866	2220	2607	3455			
power consumption	[W]	398	442	493	551	695			
current consumption	[A]	2,6	2,8	3	3,2	3,8			