

Model

Designation **CU NLE8.8CN R290 230/1/50 CAP**



Sales code: 314H5004
Engineering code: CUNLE88CN0VE

Application Data

Power supply 220-240V / 50Hz 1~
Refrigerants R290
Refr. charge - tech. limit 150g / 5,3oz
Starter HST / capillary tube or expansion valve
Sound pressure (10m)

Generic data

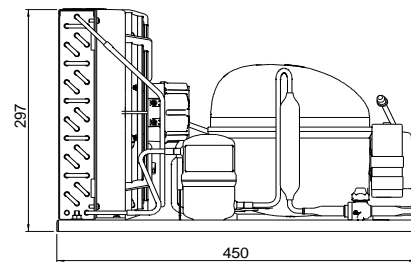
Voltage range 198 - 254V / 50Hz
Refrigerant R290
Application LBP+MBP

Rated performance pe=-10°C, Tsuc=20°C, Tamb=25°C, subcooling: 0K
Cooling capacity 734W / 2506Btu/h
Power consumption 321,9W
Current consumption 2A
COP/EER 2,28 / 7,79Btu/Wh

Approvals Eco design (EU) 2015/1095,
CE, UK CA, VDE

Compressor

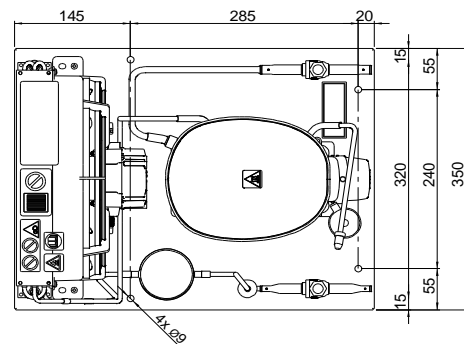
Designation **NLE8.8CN**
Motor configuration CSIR
Locked rotor amperage 11,3A
Rated load amperage 2,15A
Winding resistance main 9,28Ω
Winding resistance aux 11,64Ω
Oil quantity 270cm³ / 9,1fl.oz
Oil type POE
Horsepower rating 3/8 HP



Dimensions

Condensing unit

Height x Width x Depth 297 x 350 x 450 [mm] / 11,7 x 13,8 x 17,7 [in]
Weight 18kg / 39,7lbs
Suction adapter OD ø10mm / 2/5in
Discharge adapter OD ø6mm / 1/4in
Process connector ø6,2mm / 0,24in



Package data

Height x Width x Depth 340 x 372 x 570 [mm] / 13,4 x 14,6 x 22,4 [in]
Weight 21kg / 46,3lbs

Model

Designation **CU NLE8.8CN R290 230/1/50 CAP**

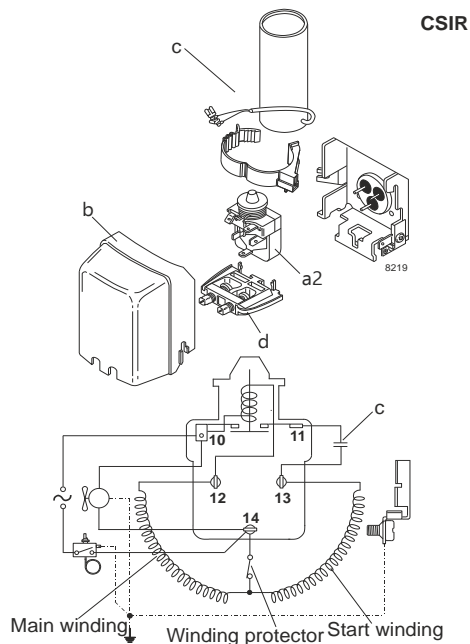
Sales code: 314H5004
Engineering code: CUNLE88CN0VE

Components Condensing-Unit / Spare Parts

Component	Type	Spare part code number
Compressor code	NLE8.8CN	105H6880
Condenser	Condenser (3 rows x 11 tubes)	314S0010
Fan motor	30W	314S0016
Blade code	ø254mm 28°	314S0027
Air flow	674,9m³/h	
Receiver code	Receiver 0,32 liter	314S0049
Suction valve code	OD ø10mm / 2/5in	-/-
Liquid valve code	OD ø6mm / 1/4in	-/-

Compressor starting equipment	Spare part code number
pos. a2 - relay	117U7002
pos. c - start capacitor (80µF)	117U5015
pos. b - plastic cover	103N2010
pos. d - cord relief	103N1010

Wiring Sketch Compressor



Model

Designation **CU NLE8.8CN R290 230/1/50 CAP**

Sales code: 314H5004

Engineering code: CUNLE88CN0VE

Cooling performance - Conf. 1

Power supply 220-240V / 50Hz 1~ Voltage range 198 - 254V / 50Hz

Refr. charge - tech. limit 150g / 5,3oz

Starter HST / capillary tube or expansion valve

Motor configuration CSIR

Refrigerant R290

Application LBP+MBP

Approvals Eco design (EU) 2015/1095, CE, UK CA, VDE

ambient temperature	[°C / °F]	25 / 77							(suction gas temperature [°C / °F]: 20 / 68, subcooling: 0K)
evaporating temperature	[°C / °F]	-35 / -31	-30 / -22	-25 / -13	-20 / -4	-10 / 14	0 / 32	10 / 50	
cooling capacity	[W]	236	307	393	493	734	1019	1338	
COP	[W/W]	1,13	1,33	1,55	1,79	2,28	2,75	3,17	
cooling capacity	[Btu/h]	806	1048	1341	1684	2506	3480	4569	
power consumption	[W]	209	231	253	275	322	370	422	
current consumption	[A]	1,6	1,7	1,7	1,8	2	2,2	2,4	

ambient temperature	[°C / °F]	32 / 90							(suction gas temperature [°C / °F]: 20 / 68, subcooling: 0K)
evaporating temperature	[°C / °F]	-35 / -31	-30 / -22	-25 / -13	-20 / -4	-10 / 14	0 / 32	10 / 50	
cooling capacity	[W]	259	321	395	481	689	936	1217	
COP	[W/W]	1,14	1,29	1,45	1,63	1,98	2,31	2,59	
cooling capacity	[Btu/h]	885	1096	1349	1644	2351	3198	4155	
power consumption	[W]	227	249	272	296	348	405	469	
current consumption	[A]	1,7	1,7	1,8	1,9	2,1	2,3	2,5	

ambient temperature	[°C / °F]	38 / 100							(suction gas temperature [°C / °F]: 20 / 68, subcooling: 0K)
evaporating temperature	[°C / °F]	-35 / -31	-30 / -22	-25 / -13	-20 / -4	-10 / 14	0 / 32	10 / 50	
cooling capacity	[W]	251	308	375	453	637	860	1111	
COP	[W/W]	1,07	1,19	1,33	1,46	1,73	1,98	2,17	
cooling capacity	[Btu/h]	856	1051	1281	1546	2177	2936	3794	
power consumption	[W]	235	258	283	310	369	435	511	
current consumption	[A]	1,7	1,8	1,8	1,9	2,1	2,4	2,7	

ambient temperature	[°C / °F]	43 / 109							(suction gas temperature [°C / °F]: 20 / 68, subcooling: 0K)
evaporating temperature	[°C / °F]	-35 / -31	-30 / -22	-25 / -13	-20 / -4	-10 / 14	0 / 32	10 / 50	
cooling capacity	[W]	231	286	349	421	591	794	1023	
COP	[W/W]	0,97	1,09	1,2	1,32	1,53	1,72	1,87	
cooling capacity	[Btu/h]	790	977	1192	1438	2018	2711	3495	
power consumption	[W]	237	262	290	320	386	461	548	
current consumption	[A]	1,7	1,8	1,9	2	2,2	2,5	2,9	