

## Model

Designation **CU TL4CL MG\_Z 230/1/50 VAL**



Sales code: 314L2001  
Engineering code: CUTL4CL0000VE

## Application Data

Power supply 220-240V / 50Hz 1~  
Refrigerants R404A-R452A  
Refr. charge - tech. limit 600g / 21,2oz  
Starter HST / capillary tube or expansion valve  
Sound pressure (10m) 23dB(A)

## Configuration data

	Conf. 1	Conf. 2
Voltage range	198 - 254V / 50Hz	198 - 254V / 50Hz
Refrigerant	R404A	R452A
Application	LBP	LBP

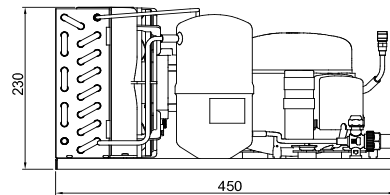
Rated performance pe=-25°C, Tsuc=20°C, Tamb=25°C, subccoling: 2K

Cooling capacity	184W / 627Btu/h	171W / 582Btu/h
Power consumption	137,8W	129,4W
Current consumption	1,1A	1A
COP/EER	1,33 / 4,55Btu/Wh	1,32 / 4,5Btu/Wh

Approvals Eco design (EU) 2015/1095, CE, UK CA, VDE      Eco design (EU) 2015/1095, CE, UK CA, VDE

## Compressor

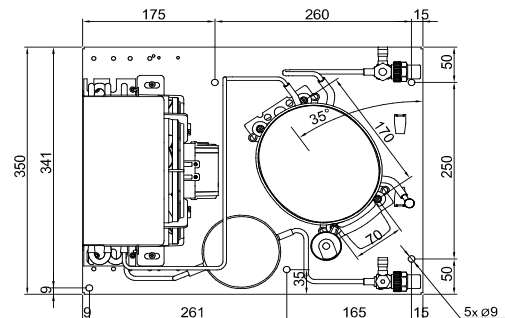
Designation **TL4CL**  
Motor configuration CSIR  
Locked rotor amperage 5,7A  
Rated load amperage 1,1A  
Winding resistance main 14,5Ω  
Winding resistance aux 14,8Ω  
Oil quantity 280cm<sup>3</sup> / 9,5fl.oz  
Oil type POE  
Horsepower rating 1/7 HP



## Dimensions

### Condensing unit

Height x Width x Depth 230 x 350 x 450 [mm] / 9,1 x 13,8 x 17,7 [in]  
Weight 13,3kg / 29,3lbs  
Suction adapter FLARE 1/4"  
Discharge adapter FLARE 1/4"  
Process connector ø6,2mm / 0,24in



### Package data

Height x Width x Depth 300 x 450 x 550 [mm] / 11,8 x 17,7 x 21,7 [in]  
Weight 16,3kg / 35,9lbs

## Model

Designation **CU TL4CL MG\_Z 230/1/50 VAL**

Sales code: 314L2001  
Engineering code: CUTL4CL0000VE

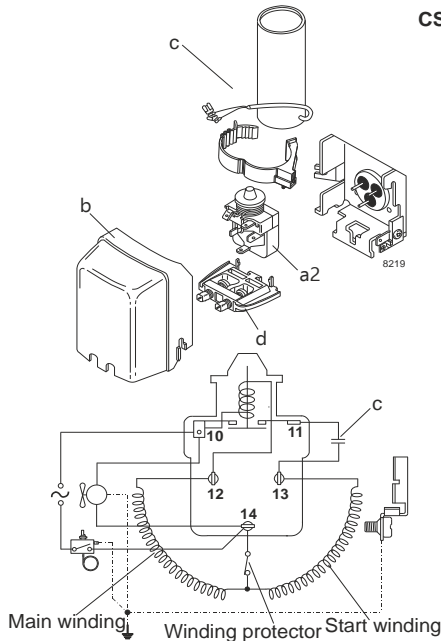
## Components Condensing-Unit / Spare Parts

Component	Type	Spare part code number
Compressor code	TL4CL	102U2071
Condenser	Condenser (3 rows x 8 tubes)	SP 314S0001
Fan motor		MP 314S0015
Blade code	ø200mm 28°	SP 314S0023
Air flow	262,4m³/h	
Receiver code	Receiver 1,3 liter	MP 314S0036
Suction valve code	FLARE 1/4"	FLARE 1/4"
Liquid valve code	FLARE 1/4"	FLARE 1/4"

Compressor starting equipment	Spare part code number
pos. a2 - relay	117U6000
pos. c - start capacitor (60µF)	117U5014
pos. d - cord relief	103N1010
pos. b - plastic cover	103N2010

## Wiring Sketch Compressor

## Wiring Sketch Condensing Unit



## Model

Designation	<b>CU TL4CL MG_Z 230/1/50 VAL</b>	Sales code:	314L2001
		Engineering code:	CUTL4CL0000VE

## Cooling performance - Conf. 1

Power supply	220-240V / 50Hz 1~	Voltage range	198 - 254V / 50Hz
Refr. charge - tech. limit	600g / 21,2oz		
Starter	HST / capillary tube or expansion valve		
Motor configuration	CSIR		
Refrigerant	R404A		
Application	LBP		
Approvals	Eco design (EU) 2015/1095, CE, UK CA, VDE		

ambient temperature	[°C / °F]	25 / 77 (suction gas temperature [°C / °F]: 20 / 68, subcooling: 2K)						
evaporating temperature	[°C / °F]	-45 / -49	-40 / -40	-35 / -31	-25 / -13	-20 / -4	-10 / 14	-5 / 23
cooling capacity	[W]	58	84	113	184	225	323	379
COP	[W/W]	0,64	0,87	1,05	1,33	1,45	1,69	1,82
cooling capacity	[Btu/h]	200	286	386	627	769	1102	1295
power consumption	[W]	90	97	108	138	155	191	208
current consumption	[A]	0,8	0,9	0,9	1,1	1,2	1,4	1,5

ambient temperature	[°C / °F]	32 / 90 (suction gas temperature [°C / °F]: 20 / 68, subcooling: 2K)						
evaporating temperature	[°C / °F]	-45 / -49	-40 / -40	-35 / -31	-25 / -13	-20 / -4	-10 / 14	-5 / 23
cooling capacity	[W]	61	79	102	160	196	284	336
COP	[W/W]	0,69	0,81	0,93	1,13	1,21	1,41	1,52
cooling capacity	[Btu/h]	208	271	348	547	670	969	1147
power consumption	[W]	89	97	110	142	162	202	221
current consumption	[A]	0,8	0,9	0,9	1,1	1,2	1,4	1,5

ambient temperature	[°C / °F]	38 / 100 (suction gas temperature [°C / °F]: 20 / 68, subcooling: 2K)						
evaporating temperature	[°C / °F]	-45 / -49	-40 / -40	-35 / -31	-25 / -13	-20 / -4	-10 / 14	-5 / 23
cooling capacity	[W]	55	69	87	137	169	250	300
COP	[W/W]	0,63	0,71	0,79	0,94	1,02	1,2	1,3
cooling capacity	[Btu/h]	188	235	297	467	578	855	1024
power consumption	[W]	88	97	110	145	166	209	231
current consumption	[A]	0,8	0,9	0,9	1,1	1,2	1,4	1,6

ambient temperature	[°C / °F]	43 / 109 (suction gas temperature [°C / °F]: 20 / 68, subcooling: 2K)						
evaporating temperature	[°C / °F]	-45 / -49	-40 / -40	-35 / -31	-25 / -13	-20 / -4	-10 / 14	
cooling capacity	[W]	47	58	73	117	147	225	
COP	[W/W]	0,55	0,61	0,67	0,8	0,88	1,05	
cooling capacity	[Btu/h]	162	198	249	401	503	768	
power consumption	[W]	85	95	109	146	168	214	
current consumption	[A]	0,8	0,9	0,9	1,1	1,2	1,5	

## Model

Designation	<b>CU TL4CL MG_Z 230/1/50 VAL</b>	Sales code:	314L2001
		Engineering code:	CUTL4CL0000VE

## Cooling performance - Conf. 2

Power supply	220-240V / 50Hz 1~	Voltage range	198 - 254V / 50Hz
Refr. charge - tech. limit	600g / 21,2oz		
Starter	HST / capillary tube or expansion valve		
Motor configuration	CSIR		
Refrigerant	R452A		
Application	LBP		
Approvals	Eco design (EU) 2015/1095, CE, UK CA, VDE		

<b>ambient temperature</b>	<b>[°C / °F]</b>	<b>25 / 77</b>							(suction gas temperature [°C / °F]: 20 / 68, subcooling: 2K)
evaporating temperature	[°C / °F]	-45 / -49	-40 / -40	-35 / -31	-25 / -13	-20 / -4	-10 / 14	-5 / 23	
cooling capacity	[W]	50	74	102	171	211	307	362	
COP	[W/W]	0,6	0,82	1,01	1,33	1,45	1,7	1,83	
cooling capacity	[Btu/h]	170	253	349	582	721	1048	1238	
power consumption	[W]	83	90	101	129	146	181	198	
current consumption	[A]	0,8	0,8	0,9	1	1,1	1,3	1,4	

<b>ambient temperature</b>	<b>[°C / °F]</b>	<b>32 / 90</b>							(suction gas temperature [°C / °F]: 20 / 68, subcooling: 2K)
evaporating temperature	[°C / °F]	-45 / -49	-40 / -40	-35 / -31	-25 / -13	-20 / -4	-10 / 14	-5 / 23	
cooling capacity	[W]	53	71	93	149	184	271	322	
COP	[W/W]	0,65	0,79	0,91	1,12	1,21	1,42	1,53	
cooling capacity	[Btu/h]	181	242	317	510	630	924	1101	
power consumption	[W]	82	90	102	133	152	191	210	
current consumption	[A]	0,8	0,8	0,9	1,1	1,1	1,4	1,5	

<b>ambient temperature</b>	<b>[°C / °F]</b>	<b>38 / 100</b>							(suction gas temperature [°C / °F]: 20 / 68, subcooling: 2K)
evaporating temperature	[°C / °F]	-45 / -49	-40 / -40	-35 / -31	-25 / -13	-20 / -4	-10 / 14	-5 / 23	
cooling capacity	[W]	48	61	79	128	159	240	289	
COP	[W/W]	0,6	0,69	0,77	0,94	1,02	1,21	1,31	
cooling capacity	[Btu/h]	164	210	270	436	544	818	987	
power consumption	[W]	80	89	102	136	156	198	220	
current consumption	[A]	0,8	0,8	0,9	1,1	1,2	1,4	1,5	

<b>ambient temperature</b>	<b>[°C / °F]</b>	<b>43 / 109</b>							(suction gas temperature [°C / °F]: 20 / 68, subcooling: 2K)
evaporating temperature	[°C / °F]	-45 / -49	-40 / -40	-35 / -31	-25 / -13	-20 / -4	-10 / 14		
cooling capacity	[W]	41	52	66	110	139	215		
COP	[W/W]	0,53	0,6	0,65	0,8	0,88	1,06		
cooling capacity	[Btu/h]	141	177	226	374	475	736		
power consumption	[W]	78	87	101	137	158	203		
current consumption	[A]	0,8	0,8	0,9	1,1	1,2	1,4		