

Model

Designation	HAD30AA	220-240V/50Hz ~	Sales code:	CDO00204
-------------	----------------	------------------------	-------------	-----------------

Compressor design

Oil type	Mineral	Refrigerant(s)	R600a
Oil viscosity	2,3cSt	Displacement	3cm ³ / 0,18cu.in
Oil quantity	77cm ³ / 2,6fl.oz	Compressors on pallet	168
Refr. charge - tech. limit	150g / 5,3oz		
Free gas volume comp.	837cm ³ / 28,3fl.oz		
Weight	3,7kg / 8,2lbs		
Motor protection	external		
Winding resistance main	77,8Ω (at 25°C)		
Winding resistance aux	103,8Ω (at 25°C)		
Max. winding temp.	120°C / 248°F		
Max. discharge temp.	120°C / 248°F		



General - Configurations with HAD30AA

	Conf. 1
Motorconfiguration	RSCR
Power supply (nominal)	220-240V/50Hz
Number of phases	1
Voltage range	187-264V
Approvals	VDE
Starting torque	LST
Note	Electrical equipment will be pre-assembled to compressor.

Applications with HAD30AA

	Conf. 1
Refrigerant	R600a
Application	LBP
System cooling	static
Hot gas defrost	-/-
Long interval pull down	-/-

Electrical data - Configurations with HAD30AA

	Conf. 1
Starting device type	PTC
Run capacitor	1μF
Start capacitor	-/-
LRA (locked rotor amps / 4s)	1,1A
RLA (rated load amps / 1s)	
Cut in current	2,21A
IP class	21

Model

Designation

HAD30AA

220-240V/50Hz ~

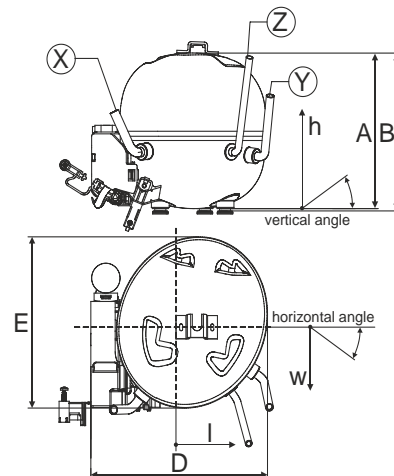
Sales code:

CDO00204

Compressor dimensions

Housing	A Height	133mm / 5,24in
	B Height	134,5mm / 5,3in
	C Length shell	135mm / 5,31in
	D Length w. cover	159mm / 6,26in
	E Width	147mm / 5,79in

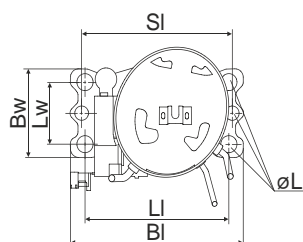
Connectors		Suction	Discharge	Process
		X	Y	Z
Diameter	[mm]	øi 6,1-6,3	øi 4,9-5,1	øo 5,92-6,08
	(i:inside, o:outside) [in]	øi 0,24-0,25	øi 0,19-0,2	øo 0,23-0,24
Material		copper	steel/CU	copper
Horizontal angle	±2°	0°	80°	74°
Vertical angle	±2°	79°	79°	72°
Position l/h/w	[mm]	-54/83/74	87/96/72	69/130/103
	[in]	-2,1/3,3/2,9	3,4/3,8/2,8	2,7/5,1/4,1
Straight tube l.	[mm]	14	14	14
	[in]	0,5	0,5	0,5



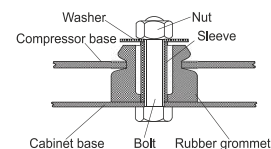
Compressor fixation

Adapter plate

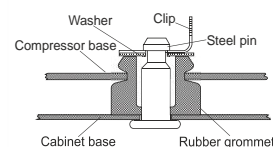
Bolt joint



Baseplate	[mm]	[inch]
BI	204	8.03
Bw	100	3.94
Large holes	[mm]	[inch]
LI	170	6.7
Lw	70	2.76
SI	178	7
øL	ø 16	ø 0.63



Snap-on



For standard mounting	one comp.	multi pack
Adapter plate	157008_	
Bolt joint M6 ø16mm	118-1917	118-1918
Bolt joint ø1/4" ø16mm	118-1946	
Snap-on ø7,3 ø16mm	118-1947	118-1919

Application notes

Various options of housing are possible (dip-tray fixture) - please contact SECOP-Sales.

Various options of connectors are possible - please contact SECOP-Sales.

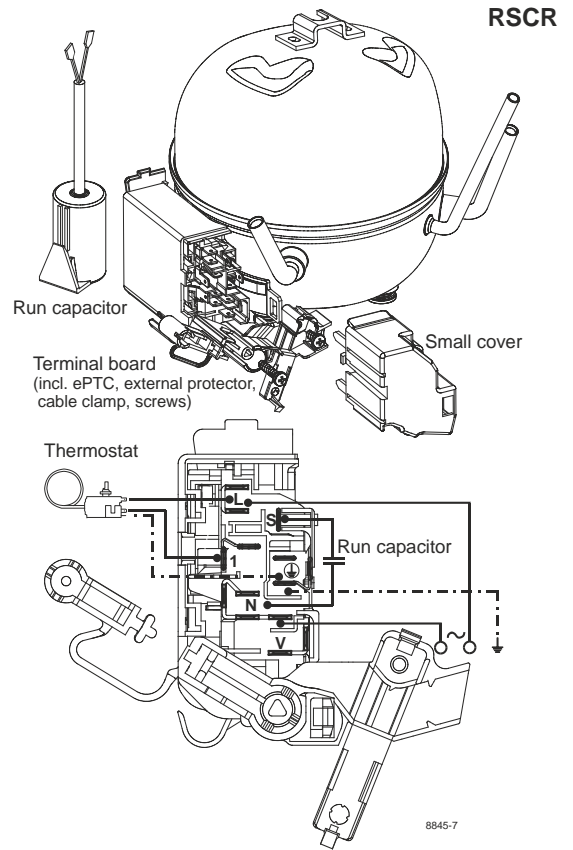
Model

Designation **HAD30AA** **220-240V/50Hz** Conf. 1 Sales code: **CDO00204**

Configuration

Motorconfiguration **RSCR**
 Power supply (nominal) **220-240V/50Hz 1~**
 Refrigerant **R600a**
 Application **LBP**
 Voltage range **187-264V**
 Starting torque **LST**
 Approvals **VDE**

Electrical accessories / wiring diagram

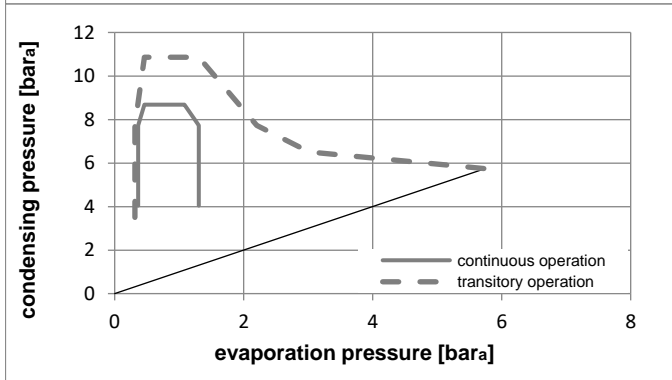
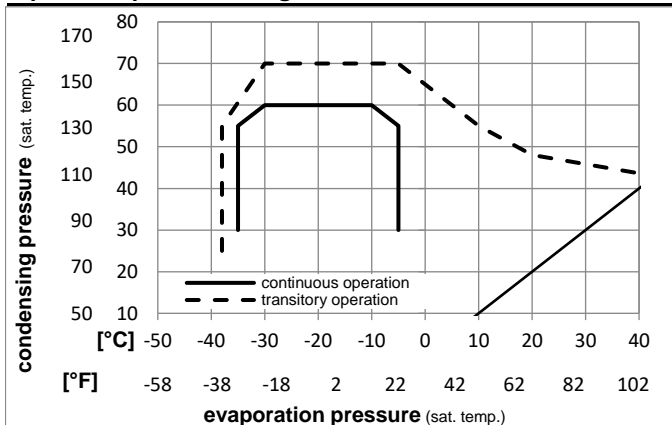


Ambient temperatures / system cooling

Ambient temperature min.: **10°C / 50°F**
 Ambient temperature max.: **43°C / 110°F**

System cooling (n/a: outside limits)			
T ambient	LBP	MBP	HBP
32°C / 90°F	static	n/a	n/a
38°C / 100°F	static	n/a	n/a
43°C / 110°F	static	n/a	n/a

Operation pressure range



Components (will be pre-assembled)

- terminal board (ePTC, 4.8mm) BX E7
- motor protector BDG AE 90 AHM x E7
- run capacitor (1µF, 4.8mm) cap. 1µF
- cover terminal board 160943_

Model

Designation **HAD30AA 220-240V/50Hz** Conf. 1 Sales code: **CDO00204**

Optimization + standard conditions

220V/50Hz, RSCR, static, VDE

	Evaporating pressure (saturation temperature)				Condensing pressure (saturation temperature)						Power consumption				Ref. mass flow
	pe	pc	RGT	Tliq	Cooling capacity			COP	EER			P1	I	m	
	[°C]	[°F]	[°C]	[°F]	[W]	[Btu/h]	[kcal/h]	[W/W]	[Btu/Wh]	[kcal/Wh]	[W]	[A]	[kg/h]		
	-23,3	45	32,2	32,2	54,5	186	46,9	2,10	7,17	1,81	25,9	0,12	0,58	opt	
	-9,94	113	90	90											
	-23,3	54,4	32,2	32,2	50,1	171	43,1	1,86	6,36	1,60	26,9	0,12	0,54	ASHRAE LBP	
	-10	130	90	90											
	-25	55	32	55	36,9	126	31,7	1,45	4,96	1,25	25,4	0,11	0,48	cecomaf LBP	
	-13	131	89,6	131											
	-23,3	48,9	4,44	48,9	41,5	142	35,7	1,57	5,36	1,35	26,4	0,12	0,61	ARI540 LBP	
	-10	120	40	120											
	-23,3	40,6	32,2	32,2	56,3	192	48,5	2,23	7,63	1,92	25,2	0,12	0,60	AHAM LBP	
	-10	105	90	90											
	-35	45	32	45	23,5	80	20,2	1,36	4,65	1,17	17,3	0,08	0,28	opt	
	-31	113	89,6	113											

Performance tables

220V/50Hz, RSCR, static, VDE

	pe	Cooling capacity			COP	EER			P1	I	m
	[°C]	[°F]	[W]	[Btu/h]	[kcal/h]	[W/W]	[Btu/Wh]	[kcal/Wh]	[W]	[A]	[kg/h]
[°C / °F]	-35	-31	23,5	80	20,2	1,36	4,65	1,17	17,3	0,08	0,28
cond. pressure	-30	-22	32,5	111	28,0	1,56	5,32	1,34	20,9	0,10	0,39
pc= 45/113	-25	-13	44,5	152	38,3	1,80	6,16	1,55	24,7	0,12	0,53
return gas temp.	-23,3	-10	49,1	168	42,3	1,89	6,47	1,63	25,9	0,12	0,59
RGT= 32/90	-20	-4	59,1	202	50,8	2,08	7,09	1,79	28,4	0,13	0,70
liquid temp	-15	5	76,2	260	65,6	2,37	8,09	2,04	32,2	0,14	0,91
Tliq= 45/113	-5	23	117,7	402	101,3	3,01	10,27	2,59	39,1	0,19	1,41
[°C / °F]	-35	-31	17,9	61	15,4	1,08	3,70	0,93	16,5	0,08	0,23
cond. pressure	-30	-22	26,1	89	22,4	1,25	4,28	1,08	20,8	0,10	0,34
pc= 55/131	-25	-13	36,9	126	31,7	1,45	4,96	1,25	25,4	0,11	0,48
return gas temp	-23,3	-10	41,1	140	35,4	1,52	5,21	1,31	27,0	0,12	0,54
RGT= 32/90	-20	-4	50,2	171	43,2	1,67	5,69	1,43	30,1	0,13	0,66
liquid temp	-15	5	65,8	225	56,6	1,89	6,44	1,62	34,9	0,15	0,86
Tliq= 55/131	-5	23	103,5	353	89,1	2,34	7,98	2,01	44,3	0,22	1,36