

Model

Designation	HAD45AA	220-240V/50Hz ~	Sales code:	CDO00207
-------------	----------------	------------------------	-------------	-----------------

Compressor design

Oil type	Mineral	Refrigerant(s)	R600a
Oil viscosity	2,3cSt	Displacement	4,5cm ³ / 0,27cu.in
Oil quantity	77cm ³ / 2,6fl.oz	Compressors on pallet	168
Refr. charge - tech. limit	150g / 5,3oz		
Free gas volume comp.	837cm ³ / 28,3fl.oz		
Weight	3,8kg / 8,4lbs		
Motor protection	external		
Winding resistance main	50,7Ω (at 25°C)		
Winding resistance aux	49Ω (at 25°C)		
Max. winding temp.	120°C / 248°F		
Max. discharge temp.	120°C / 248°F		



General - Configurations with HAD45AA

	Conf. 1
Motorconfiguration	RSCR
Power supply (nominal)	220-240V/50Hz
Number of phases	1
Voltage range	187-264V
Approvals	VDE
Starting torque	LST
Note	Electrical equipment will be pre-assembled to compressor.

Applications with HAD45AA

	Conf. 1
Refrigerant	R600a
Application	LBP
System cooling	static
Hot gas defrost	-/-
Long interval pull down	-/-

Electrical data - Configurations with HAD45AA

	Conf. 1
Starting device type	PTC
Run capacitor	2μF
Start capacitor	-/-
LRA (locked rotor amps / 4s)	1,7A
RLA (rated load amps / 1s)	
Cut in current	3,63A
IP class	21

Model

Designation

HAD45AA

220-240V/50Hz ~

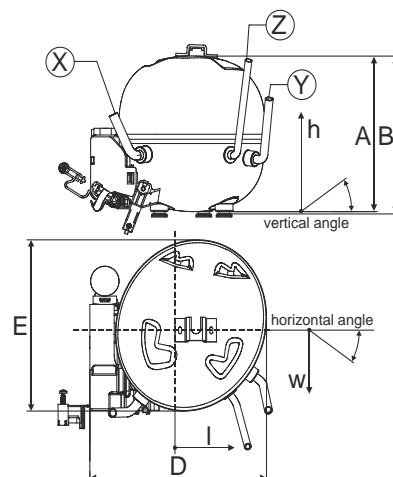
Sales code:

CDO00207

Compressor dimensions

Housing	A Height	133mm / 5,24in
	B Height	134,5mm / 5,3in
	C Length shell	135mm / 5,31in
	D Length w. cover	159mm / 6,26in
	E Width	147mm / 5,79in

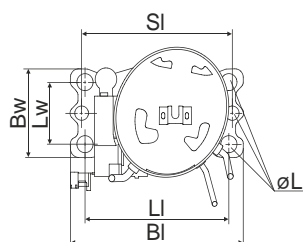
Connectors		Suction	Discharge	Process
		X	Y	Z
Diameter	[mm]	øi 6,1-6,3	øi 4,9-5,1	øo 5,92-6,08
	(i:inside, o:outside) [in]	øi 0,24-0,25	øi 0,19-0,2	øo 0,23-0,24
Material		copper	steel/CU	copper
Horizontal angle	±2°	0°	80°	74°
Vertical angle	±2°	79°	79°	72°
Position l/h/w	[mm]	-54/83/74	87/96/72	69/130/103
	[in]	-2,1/3,3/2,9	3,4/3,8/2,8	2,7/5,1/4,1
Straight tube l.	[mm]	14	14	14
	[in]	0,5	0,5	0,5



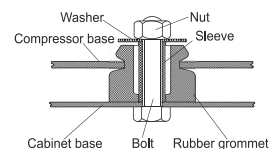
Compressor fixation

Adapter plate

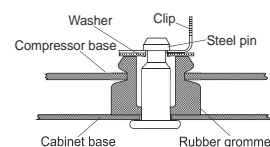
Bolt joint



Baseplate	[mm]	[inch]
BI	204	8.03
Bw	100	3.94
Large holes	[mm]	[inch]
LI	170	6.7
Lw	70	2.76
SI	178	7
øL	ø 16	ø 0.63



Snap-on



For standard mounting	one comp.	multi pack
Adapter plate	157008_	
Bolt joint M6 ø16mm	118-1917	118-1918
Bolt joint ø1/4" ø16mm	118-1946	
Snap-on ø7,3 ø16mm	118-1947	118-1919

Application notes

Various options of housing are possible (dip-tray fixture) - please contact SECOP-Sales.

Various options of connectors are possible - please contact SECOP-Sales.

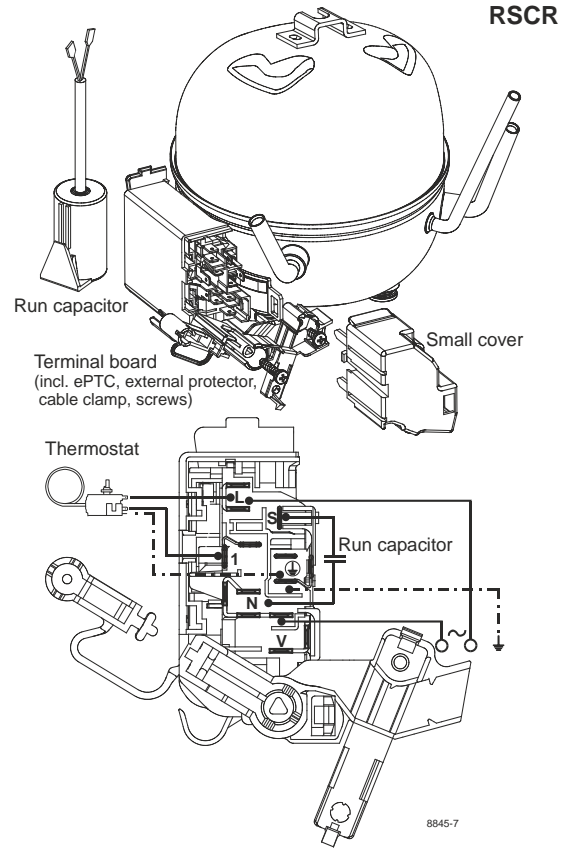
Model

Designation **HAD45AA** **220-240V/50Hz** Conf. 1 Sales code: **CDO00207**

Configuration

Motorconfiguration RSCR
 Power supply (nominal) 220-240V/50Hz 1~
 Refrigerant R600a
 Application LBP
 Voltage range 187-264V
 Starting torque LST
 Approvals VDE

Electrical accessories / wiring diagram

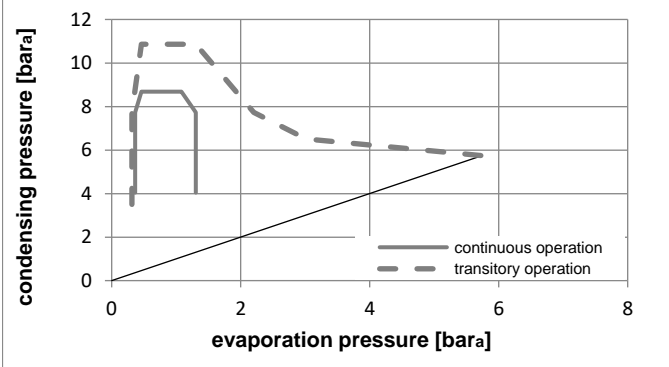
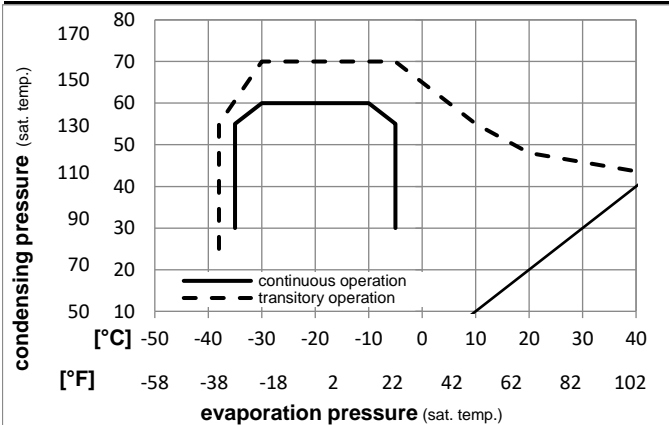


Ambient temperatures / system cooling

Ambient temperature min.: 10°C / 50°F
 Ambient temperature max.: 43°C / 110°F

System cooling (n/a: outside limits)			
T ambient	LBP	MBP	HBP
32°C / 90°F	static	n/a	n/a
38°C / 100°F	static	n/a	n/a
43°C / 110°F	static	n/a	n/a

Operation pressure range



Components (will be pre-assembled)

- . terminal board (ePTC,4.8mm) BX E6
- . motor protector BDG AE 88 AHM x E6
- . run capacitor (2µF, 4.8mm) cap. 2µF
- . cover terminal board 160943_

Model

Designation **HAD45AA 220-240V/50Hz** Conf. 1 Sales code: **CDO00207**

Optimization + standard conditions

220V/50Hz, RSCR, static, VDE

	Evaporating pressure (saturation temperature)				Condensing pressure (saturation temperature)			Return gas temp.			Liquid temp.		Cooling capacity			COP		EER		Power consumption		Current consumption		Ref. mass flow	
	pe	pc	RGT	Tliq	[W]	[Btu/h]	[kcal/h]	[W/W]	[Btu/Wh]	[kcal/Wh]	P1	I	m	[W]	[A]	[kg/h]									
[°C]	-23,3	45	32,2	32,2	93,0	318	80,0	2,12	7,24	1,83	43,9	0,20	1,00			opt									
[°F]	-9,94	113	90	90																					
[°C]	-23,3	54,4	32,2	32,2	88,0	301	75,8	1,89	6,45	1,63	46,6	0,21	0,94			ASHRAE LBP									
[°F]	-10	130	90	90																					
[°C]	-25	55	32	55	65,9	225	56,8	1,48	5,05	1,27	44,6	0,20	0,86			cecomaf LBP									
[°F]	-13	131	89,6	131																					
[°C]	-23,3	48,9	4,44	48,9	71,6	244	61,6	1,59	5,42	1,37	45,1	0,21	1,05			ARI540 LBP									
[°F]	-10	120	40	120																					
[°C]	-23,3	40,6	32,2	32,2	95,1	325	81,9	2,25	7,69	1,94	42,3	0,19	1,02			AHAM LBP									
[°F]	-10	105	90	90																					
[°C]	-35	45	32	45	41,0	140	35,3	1,44	4,93	1,24	28,4	0,12	0,49			opt									
[°F]	-31	113	89,6	113																					

Performance tables

220V/50Hz, RSCR, static, VDE

	pe	Cooling capacity			COP			EER			P1	I	m
	[°C]	[°F]	[W]	[Btu/h]	[kcal/h]	[W/W]	[Btu/Wh]	[kcal/Wh]	[W]	[A]	[kg/h]		
[°C / °F]	-35	-31	41,0	140	35,3	1,44	4,93	1,24	28,4	0,12	0,49		
cond. pressure	-30	-22	57,8	197	49,7	1,60	5,45	1,37	36,2	0,16	0,69		
pc= 45/113	-25	-13	76,7	262	66,0	1,82	6,22	1,57	42,1	0,19	0,91		
return gas temp.	-23,3	-10	83,8	286	72,2	1,91	6,53	1,65	43,9	0,20	1,00		
RGT= 32/90	-20	-4	98,9	338	85,1	2,10	7,16	1,81	47,1	0,22	1,18		
liquid temp	-15	5	125,3	428	107,9	2,39	8,18	2,06	52,3	0,24	1,50		
Tliq= 45/113	-5	23	195,4	667	168,2	2,90	9,89	2,49	67,5	0,31	2,35		
[°C / °F]	-35	-31	33,2	114	28,6	1,16	3,96	1,00	28,6	0,13	0,43		
cond. pressure	-30	-22	48,7	166	41,9	1,30	4,44	1,12	37,5	0,17	0,63		
pc= 55/131	-25	-13	65,9	225	56,8	1,48	5,05	1,27	44,6	0,20	0,86		
return gas temp	-23,3	-10	72,4	247	62,3	1,55	5,29	1,33	46,8	0,21	0,94		
RGT= 32/90	-20	-4	86,0	294	74,0	1,69	5,76	1,45	51,0	0,23	1,12		
liquid temp	-15	5	110,1	376	94,7	1,90	6,50	1,64	57,8	0,26	1,44		
Tliq= 55/131	-5	23	174,3	595	150,0	2,27	7,76	1,96	76,7	0,35	2,29		