

## Model

Designation	<b>HTD55AA</b>	<b>220-240V/50Hz ~</b>	Sales code:	<b>CDO00215</b>
-------------	----------------	------------------------	-------------	-----------------

## Compressor design

Oil type	Mineral	Refrigerant(s)	<b>R600a</b>
Oil viscosity	2,3cSt	Displacement	5,5cm <sup>3</sup> / 0,34cu.in
Oil quantity	77cm <sup>3</sup> / 2,6fl.oz	Compressors on pallet	168
Refr. charge - tech. limit	150g / 5,3oz		
Free gas volume comp.	837cm <sup>3</sup> / 28,3fl.oz		
Weight	3,9kg / 8,6lbs		
Motor protection	external		
Winding resistance main	40,1Ω (at 25°C)		
Winding resistance aux	61,1Ω (at 25°C)		
Max. winding temp.	120°C / 248°F		
Max. discharge temp.	120°C / 248°F		



## General - Configurations with HTD55AA

	<b>Conf. 1</b>
Motorconfiguration	RSIR
Power supply (nominal)	220-240V/50Hz
Number of phases	1
Voltage range	187-264V
Approvals	VDE
Starting torque	LST
Note	Electrical equipment will be pre-assembled to compressor.

## Applications with HTD55AA

	<b>Conf. 1</b>
Refrigerant	R600a
Application	LBP
System cooling	static
Hot gas defrost	-/-
Long interval pull down	-/-

## Electrical data - Configurations with HTD55AA

	<b>Conf. 1</b>
Starting device type	PTC
Run capacitor	-/-
Start capacitor	-/-
LRA (locked rotor amps / 4s)	2,12A
RLA (rated load amps / 1s)	
Cut in current	3,82A
IP class	21

## Model

Designation

**HTD55AA**

220-240V/50Hz ~

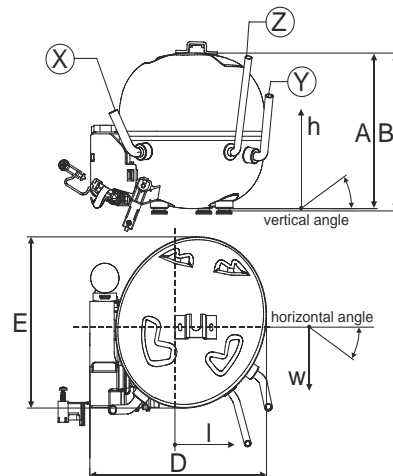
Sales code:

**CDO00215**

## Compressor dimensions

Housing	A Height	133mm / 5,24in
	B Height	134,5mm / 5,3in
	C Length shell	135mm / 5,31in
	D Length w. cover	159mm / 6,26in
	E Width	147mm / 5,79in

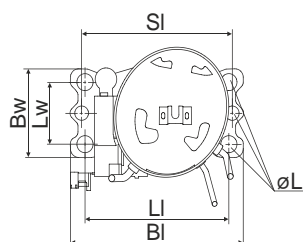
Connectors		Suction	Discharge	Process
		X	Y	Z
Diameter	[mm]	øi 6,1-6,3	øi 4,9-5,1	øo 5,92-6,08
(i:inside, o:outside)	[in]	øi 0,24-0,25	øi 0,19-0,2	øo 0,23-0,24
Material		copper	steel/CU	copper
Horizontal angle	±2°	0°	80°	74°
Vertical angle	±2°	79°	79°	72°
Position l/h/w	[mm]	-54/83/74	87/96/72	69/130/103
	[in]	-2,1/3,3/2,9	3,4/3,8/2,8	2,7/5,1/4,1
Straight tube l.	[mm]	14	14	14
	[in]	0,5	0,5	0,5



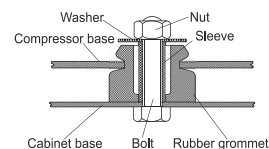
## Compressor fixation

### Adapter plate

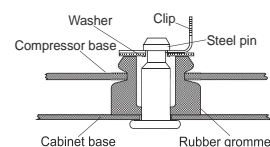
### Bolt joint



Baseplate	[mm]	[inch]
BI	204	8.03
Bw	100	3.94
Large holes	[mm]	[inch]
LI	170	6.7
Lw	70	2.76
SI	178	7
øL	ø 16	ø 0.63



### Snap-on



For standard mounting	one comp.	multi pack
Adapter plate	157008_	
Bolt joint   M6   ø16mm	118-1917	118-1918
Bolt joint   ø1/4"   ø16mm	118-1946	
Snap-on   ø7,3   ø16mm	118-1947	118-1919

## Application notes

Various options of housing are possible (dip-tray fixture) - please contact SECOP-Sales.

Various options of connectors are possible - please contact SECOP-Sales.

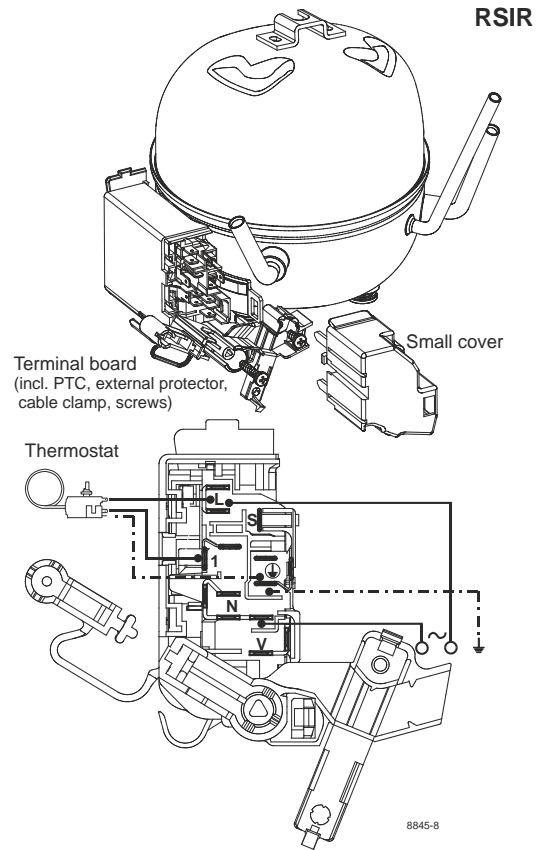
## Model

Designation	<b>HTD55AA</b>	<b>220-240V/50Hz</b>	<b>Conf. 1</b>	Sales code:	<b>CDO00215</b>
-------------	----------------	----------------------	----------------	-------------	-----------------

## Configuration

Motorconfiguration	RSIR
Power supply (nominal)	220-240V/50Hz 1~
Refrigerant	R600a
Application	LBP
Voltage range	187-264V
Starting torque	LST
Approvals	VDE

## Electrical accessories / wiring diagram

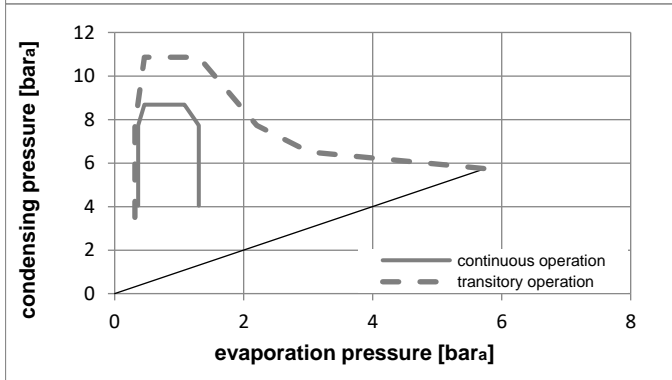
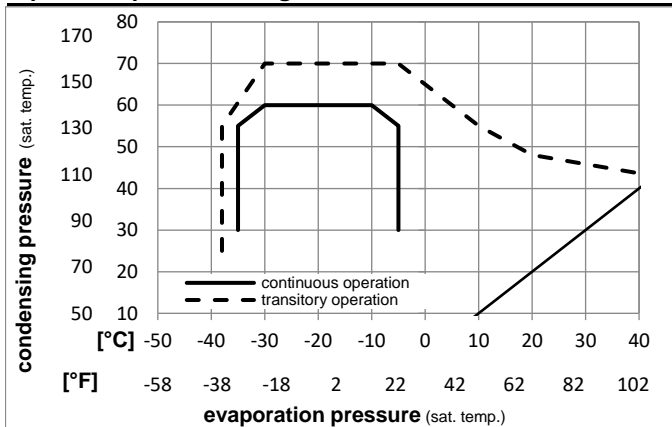


## Ambient temperatures / system cooling

Ambient temperature min.:	10°C / 50°F
Ambient temperature max.:	43°C / 110°F

System cooling (n/a: outside limits)			
T ambient	LBP	MBP	HBP
32°C / 90°F	static	n/a	n/a
38°C / 100°F	static	n/a	n/a
43°C / 110°F	static	n/a	n/a

## Operation pressure range



## Components (will be pre-assembled)

- terminal board (PTC,4.8mm) BN E4
- motor protector BDG AE 23 FLS 17 x E4
- cover terminal board 160943\_

### Model

Designation **HTD55AA 220-240V/50Hz** Conf. 1 Sales code: **CDO00215**

### Optimization + standard conditions

220V/50Hz, RSIR, static, VDE

	Evaporating pressure (saturation temperature)				Condensing pressure (saturation temperature)			Return gas temp.			Liquid temp.			Cooling capacity			COP	EER	Power consumption			Ref. mass flow m
	pe	pc	RGT	Tliq	[W]	[Btu/h]	[kcal/h]	[W/W]	[Btu/Wh]	[kcal/Wh]	P1	I	[kg/h]	[W]	[A]	[kg/h]						
[°C]	-23,3	45	32,2	32,2	105,1	359	90,4	1,87	6,38	1,61	56,3	0,33	1,13	opt								
[°F]	-9,94	113	90	90																		
[°C]	-23,3	54,4	32,2	32,2	98,4	336	84,7	1,66	5,67	1,43	59,3	0,34	1,06	ASHRAE LBP								
[°F]	-10	130	90	90																		
[°C]	-25	55	32	55	73,7	252	63,4	1,30	4,45	1,12	56,6	0,33	0,96	cecomaf LBP								
[°F]	-13	131	89,6	131																		
[°C]	-23,3	48,9	4,44	48,9	80,6	275	69,4	1,39	4,76	1,20	57,8	0,34	1,18	ARI540 LBP								
[°F]	-10	120	40	120																		
[°C]	-23,3	40,6	32,2	32,2	107,5	367	92,5	1,99	6,80	1,71	54,0	0,33	1,15	AHAM LBP								
[°F]	-10	105	90	90																		
[°C]	-35	45	32	45	51,1	174	44,0	1,30	4,43	1,12	39,4	0,28	0,61	opt								
[°F]	-31	113	89,6	113																		

### Performance tables

220V/50Hz, RSIR, static, VDE

	pe	Cooling capacity			COP	EER	P1	I	m		
	[°C]	[°F]	[W]	[Btu/h]	[kcal/h]	[W/W]	[Btu/Wh]	[kcal/Wh]	[W]	[A]	[kg/h]
[°C / °F]	-35	-31	51,1	174	44,0	1,30	4,43	1,12	39,4	0,28	0,61
cond. pressure	-30	-22	67,3	230	57,9	1,44	4,91	1,24	46,8	0,30	0,80
pc= 45/113	-25	-13	87,0	297	74,9	1,61	5,51	1,39	53,9	0,32	1,04
return gas temp.	-23,3	-10	94,7	323	81,5	1,68	5,75	1,45	56,3	0,33	1,13
RGT= 32/90	-20	-4	111,3	380	95,8	1,83	6,25	1,57	60,8	0,34	1,33
liquid temp	-15	5	141,0	482	121,4	2,08	7,11	1,79	67,7	0,36	1,68
Tliq= 45/113	-5	23	220,8	754	190,0	2,67	9,13	2,30	82,6	0,41	2,65
[°C / °F]	-35	-31	39,5	135	34,0	1,00	3,40	0,86	39,7	0,28	0,51
cond. pressure	-30	-22	55,2	189	47,5	1,15	3,91	0,99	48,2	0,31	0,72
pc= 55/131	-25	-13	73,7	252	63,4	1,30	4,45	1,12	56,6	0,33	0,96
return gas temp	-23,3	-10	80,8	276	69,6	1,36	4,65	1,17	59,4	0,34	1,06
RGT= 32/90	-20	-4	96,0	328	82,6	1,48	5,04	1,27	65,1	0,36	1,25
liquid temp	-15	5	123,1	420	105,9	1,67	5,69	1,43	73,9	0,38	1,61
Tliq= 55/131	-5	23	195,3	667	168,1	2,09	7,14	1,80	93,4	0,45	2,57