

## Model

Designation	<b>HXD30AA</b>	<b>220-240V/50Hz ~</b>	Sales code:	<b>CDO00213</b>
-------------	----------------	------------------------	-------------	-----------------

## Compressor design

Oil type	Mineral	Refrigerant(s)	<b>R600a</b>
Oil viscosity	2,3cSt	Displacement	3cm <sup>3</sup> / 0,18cu.in
Oil quantity	77cm <sup>3</sup> / 2,6fl.oz	Compressors on pallet	168
Refr. charge - tech. limit	150g / 5,3oz		
Free gas volume comp.	837cm <sup>3</sup> / 28,3fl.oz		
Weight	3,7kg / 8,2lbs		
Motor protection	external		
Winding resistance main	102,3Ω (at 25°C)		
Winding resistance aux	100,5Ω (at 25°C)		
Max. winding temp.	120°C / 248°F		
Max. discharge temp.	120°C / 248°F		



## General - Configurations with HXD30AA

	<b>Conf. 1</b>
Motorconfiguration	RSCR
Power supply (nominal)	220-240V/50Hz
Number of phases	1
Voltage range	187-264V
Approvals	VDE
Starting torque	LST
Note	Electrical equipment will be pre-assembled to compressor.

## Applications with HXD30AA

	<b>Conf. 1</b>
Refrigerant	R600a
Application	LBP
System cooling	static
Hot gas defrost	-/-
Long interval pull down	-/-

## Electrical data - Configurations with HXD30AA

	<b>Conf. 1</b>
Starting device type	PTC
Run capacitor	1μF
Start capacitor	-/-
LRA (locked rotor amps / 4s)	0,81A
RLA (rated load amps / 1s)	
Cut in current	3,09A
IP class	21

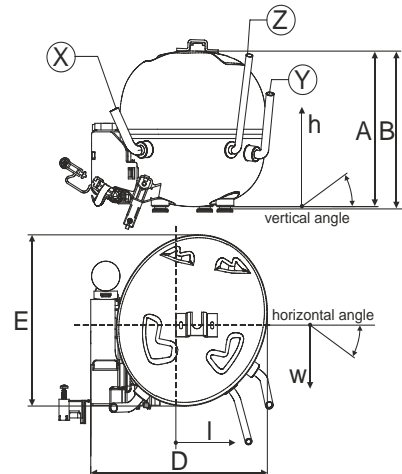
## Model

Designation	<b>HXD30AA</b>	<b>220-240V/50Hz ~</b>	Sales code:	<b>CDO00213</b>
-------------	----------------	------------------------	-------------	-----------------

## Compressor dimensions

<b>Housing</b>	A Height	133mm / 5,24in
	B Height	134,5mm / 5,3in
	C Length shell	135mm / 5,31in
	D Length w. cover	159mm / 6,26in
	E Width	147mm / 5,79in

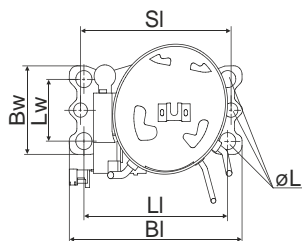
Connectors		Suction	Discharge	Process
		X	Y	Z
Diameter	[mm]	øi 6,1-6,3	øi 4,9-5,1	øo 5,92-6,08
	(i:inside, o:outside) [in]	øi 0,24-0,25	øi 0,19-0,2	øo 0,23-0,24
Material		copper	steel/CU	copper
Horizontal angle	±2°	0°	80°	74°
Vertical angle	±2°	79°	79°	72°
Position l/h/w	[mm]	-54/83/74	87/96/72	69/130/103
	[in]	-2,1/3,3/2,9	3,4/3,8/2,8	2,7/5,1/4,1
Straight tube l.	[mm]	14	14	14
	[in]	0,5	0,5	0,5



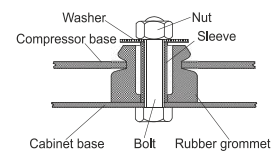
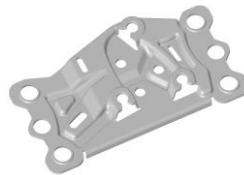
## Compressor fixation

### Adapter plate

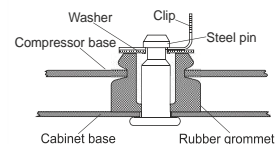
### Bolt joint



Baseplate	[mm]	[inch]
BI	204	8.03
Bw	100	3.94
Large holes	[mm]	[inch]
LI	170	6.7
LW	70	2.76
SI	178	7
øL	ø 16	ø 0.63



### Snap-on



For standard mounting	one comp.	multi pack
Adapter plate	157008_	
Bolt joint   M6   ø16mm	118-1917	118-1918
Bolt joint   ø1/4"   ø16mm	118-1946	
Snap-on   ø7,3   ø16mm	118-1947	118-1919

## Application notes

Various options of housing are possible (dip-tray fixture) - please contact SECOP-Sales.

Various options of connectors are possible - please contact SECOP-Sales.

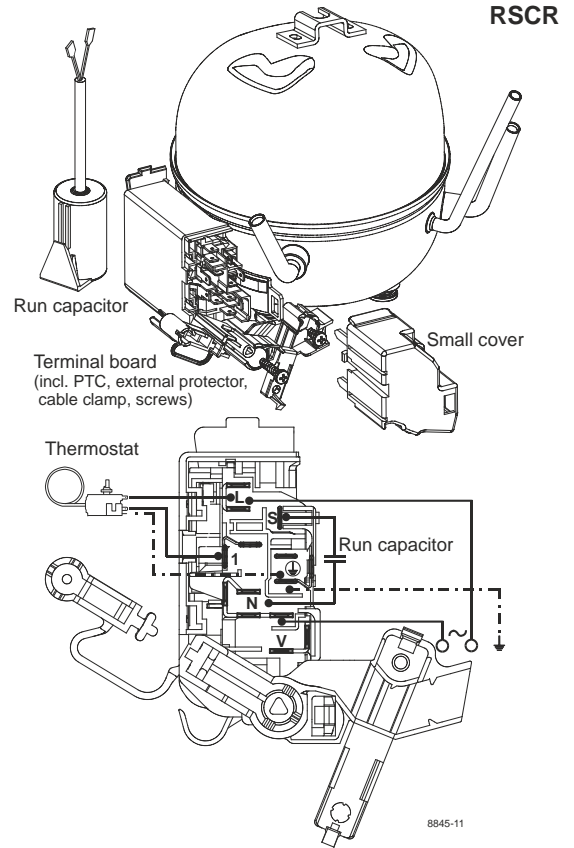
## Model

Designation **HXD30AA** **220-240V/50Hz** Conf. 1 Sales code: **CDO00213**

## Configuration

Motorconfiguration RSCR  
 Power supply (nominal) 220-240V/50Hz 1~  
 Refrigerant R600a  
 Application LBP  
 Voltage range 187-264V  
 Starting torque LST  
 Approvals VDE

## Electrical accessories / wiring diagram

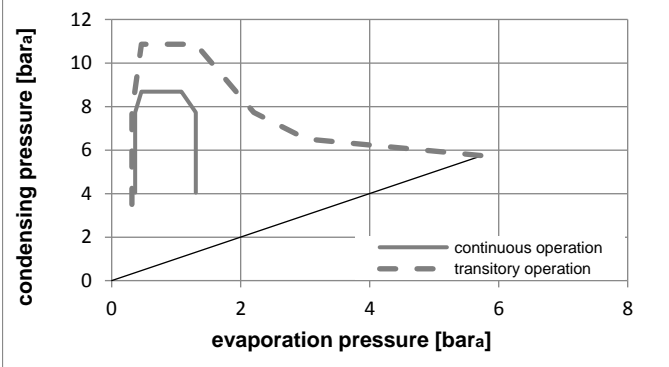
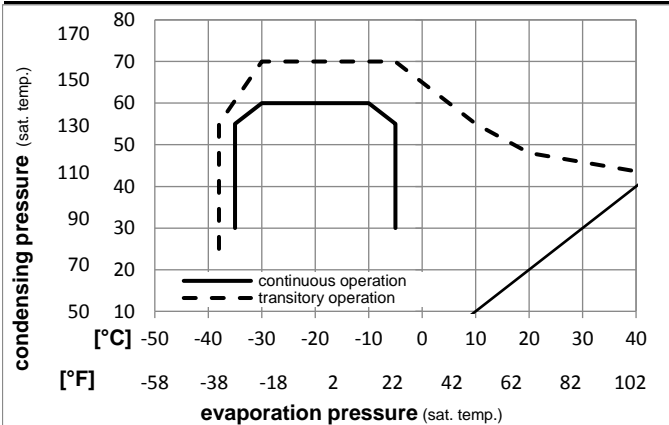


## Ambient temperatures / system cooling

Ambient temperature min.: 10°C / 50°F  
 Ambient temperature max.: 43°C / 110°F

System cooling (n/a: outside limits)			
T ambient	LBP	MBP	HBP
32°C / 90°F	static	n/a	n/a
38°C / 100°F	static	n/a	n/a
43°C / 110°F	static	n/a	n/a

## Operation pressure range



## Components (will be pre-assembled)

- terminal board (PTC,4.8mm) **BN E7**
- motor protector BDG AE 90 AHM x **E7**
- run capacitor (1µF, 4.8mm) **cap. 1µF**
- cover terminal board **160943\_**

## Model

Designation **HXD30AA 220-240V/50Hz** Conf. 1 Sales code: **CDO00213**

## Optimization + standard conditions

220V/50Hz, RSCR, static, VDE

	Evaporating pressure (saturation temperature)				Condensing pressure (saturation temperature)						Power consumption			Ref. mass flow
	pe	pc	RGT	Tliq	Cooling capacity			COP	EER		P1	I	m	
	[°C]	[°F]	[°C]	[°C]	[W]	[Btu/h]	[kcal/h]	[W/W]	[Btu/Wh]	[kcal/Wh]	[W]	[A]	[kg/h]	
	-23,3	45	32,2	32,2	54,1	185	46,5	1,97	6,72	1,69	27,5	0,13	0,58	opt
	-9,94	113	90	90										
	-23,3	54,4	32,2	32,2	49,4	169	42,5	1,72	5,89	1,48	28,7	0,13	0,53	ASHRAE LBP
	-10	130	90	90										
	-25	55	32	55	36,6	125	31,5	1,35	4,60	1,16	27,2	0,12	0,48	cecomaf LBP
	-13	131	89,6	131										
	-23,3	48,9	4,44	48,9	40,9	140	35,2	1,46	4,98	1,26	28,0	0,13	0,60	ARI540 LBP
	-10	120	40	120										
	-23,3	40,6	32,2	32,2	56,3	192	48,5	2,10	7,18	1,81	26,8	0,12	0,60	AHAM LBP
	-10	105	90	90										
	-35	45	32	45	23,5	80	20,2	1,29	4,41	1,11	18,2	0,08	0,28	opt
	-31	113	89,6	113										

## Performance tables

220V/50Hz, RSCR, static, VDE

	pe	Cooling capacity			COP	EER		P1	I	m	
	[°C]	[°F]	[W]	[Btu/h]	[kcal/h]	[W/W]	[Btu/Wh]	[kcal/Wh]	[W]	[A]	[kg/h]
[°C / °F]	-35	-31	23,5	80	20,2	1,29	4,41	1,11	18,2	0,08	0,28
cond. pressure	-30	-22	32,9	112	28,3	1,48	5,04	1,27	22,3	0,10	0,39
pc= 45/113	-25	-13	44,3	151	38,1	1,69	5,78	1,46	26,2	0,12	0,53
return gas temp.	-23,3	-10	48,8	167	42,0	1,77	6,06	1,53	27,5	0,13	0,58
RGT= 32/90	-20	-4	58,3	199	50,2	1,94	6,63	1,67	30,0	0,14	0,70
liquid temp	-15	5	75,4	258	64,9	2,22	7,59	1,91	33,9	0,16	0,90
Tliq= 45/113	-5	23	121,5	415	104,5	2,86	9,75	2,46	42,5	0,19	1,46
[°C / °F]	-35	-31	16,9	58	14,6	0,95	3,24	0,82	17,9	0,08	0,22
cond. pressure	-30	-22	26,1	89	22,4	1,16	3,94	0,99	22,6	0,10	0,34
pc= 55/131	-25	-13	36,6	125	31,5	1,35	4,60	1,16	27,2	0,12	0,48
return gas temp	-23,3	-10	40,6	139	35,0	1,41	4,83	1,22	28,7	0,13	0,53
RGT= 32/90	-20	-4	49,2	168	42,3	1,55	5,28	1,33	31,8	0,15	0,64
liquid temp	-15	5	64,4	220	55,4	1,75	5,99	1,51	36,7	0,17	0,84
Tliq= 55/131	-5	23	105,1	359	90,4	2,20	7,53	1,90	47,7	0,22	1,38