

Model

Designation	HXD40AA	220-240V/50Hz ~	Sales code:	CDO00195
-------------	----------------	-----------------	-------------	-----------------

Compressor design

Oil type	Mineral	Refrigerant(s)	R600a
Oil viscosity	2,3cSt	Displacement	4cm ³ / 0,24cu.in
Oil quantity	77cm ³ / 2,6fl.oz	Compressors on pallet	168
Refr. charge - tech. limit	150g / 5,3oz		
Free gas volume comp.	837cm ³ / 28,3fl.oz		
Weight	3,8kg / 8,4lbs		
Motor protection	external		
Winding resistance main	65,1Ω (at 25°C)		
Winding resistance aux	33,8Ω (at 25°C)		
Max. winding temp.	120°C / 248°F		
Max. discharge temp.	120°C / 248°F		



General - Configurations with HXD40AA

	Conf. 1
Motorconfiguration	RSCR
Power supply (nominal)	220-240V/50Hz
Number of phases	1
Voltage range	187-264V
Approvals	VDE
Starting torque	LST
Note	Electrical equipment will be pre-assembled to compressor.

Applications with HXD40AA

	Conf. 1
Refrigerant	R600a
Application	LBP
System cooling	static
Hot gas defrost	-/-
Long interval pull down	-/-

Electrical data - Configurations with HXD40AA

	Conf. 1
Starting device type	PTC
Run capacitor	2μF
Start capacitor	-/-
LRA (locked rotor amps / 4s)	1,45A
RLA (rated load amps / 1s)	
Cut in current	4,02A
IP class	21

Model

Designation

HXD40AA

220-240V/50Hz ~

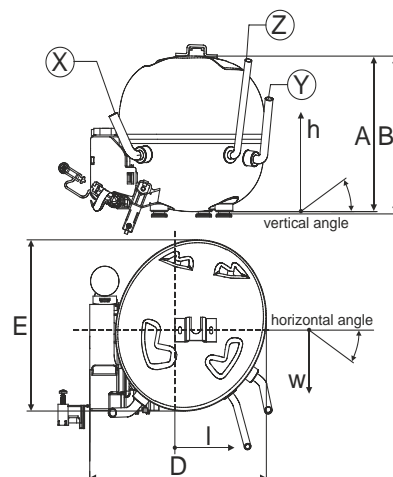
Sales code:

CDO00195

Compressor dimensions

Housing	A Height	133mm / 5,24in
	B Height	134,5mm / 5,3in
	C Length shell	135mm / 5,31in
	D Length w. cover	159mm / 6,26in
	E Width	147mm / 5,79in

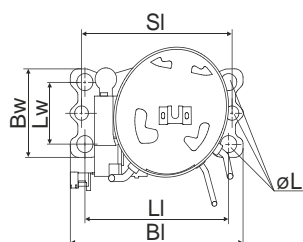
Connectors		Suction	Discharge	Process
		X	Y	Z
Diameter	[mm]	øi 6,1-6,3	øi 4,9-5,1	øo 5,92-6,08
(i:inside, o:outside)	[in]	øi 0,24-0,25	øi 0,19-0,2	øo 0,23-0,24
Material		copper	steel/CU	copper
Horizontal angle	±2°	0°	80°	74°
Vertical angle	±2°	79°	79°	72°
Position l/h/w	[mm]	-54/83/74	87/96/72	69/130/103
	[in]	-2,1/3,3/2,9	3,4/3,8/2,8	2,7/5,1/4,1
Straight tube l.	[mm]	14	14	14
	[in]	0,5	0,5	0,5



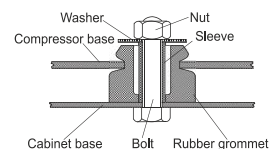
Compressor fixation

Adapter plate

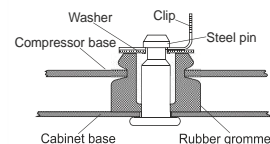
Bolt joint



Baseplate	[mm]	[inch]
BI	204	8.03
Bw	100	3.94
Large holes	[mm]	[inch]
LI	170	6.7
LW	70	2.76
SI	178	7
øL	ø 16	ø 0.63



Snap-on



For standard mounting	one comp.	multi pack
Adapter plate	157008_	
Bolt joint M6 ø16mm	118-1917	118-1918
Bolt joint ø1/4" ø16mm	118-1946	
Snap-on ø7,3 ø16mm	118-1947	118-1919

Application notes

Various options of housing are possible (dip-tray fixture) - please contact SECOP-Sales.

Various options of connectors are possible - please contact SECOP-Sales.

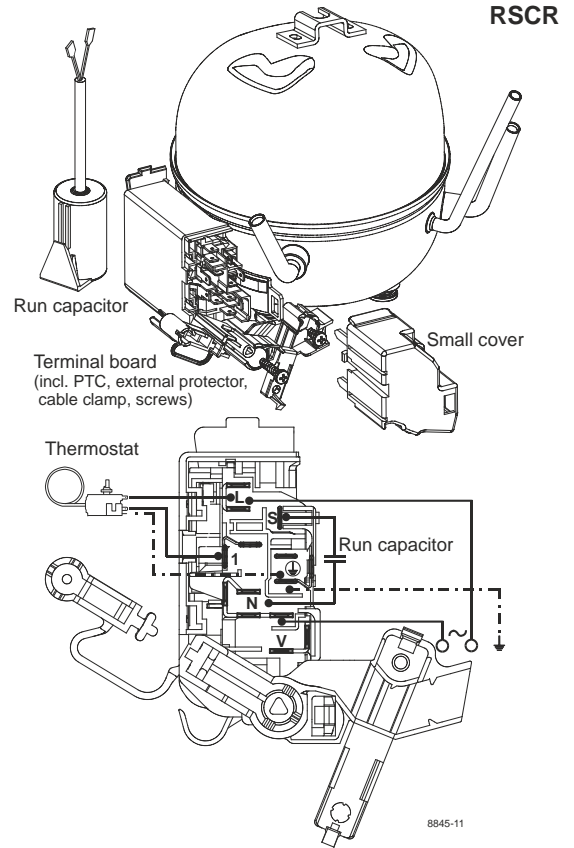
Model

Designation	HXD40AA	220-240V/50Hz	Conf. 1	Sales code:	CDO00195
-------------	----------------	----------------------	----------------	-------------	-----------------

Configuration

Motorconfiguration	RSCR
Power supply (nominal)	220-240V/50Hz 1~
Refrigerant	R600a
Application	LBP
Voltage range	187-264V
Starting torque	LST
Approvals	VDE

Electrical accessories / wiring diagram

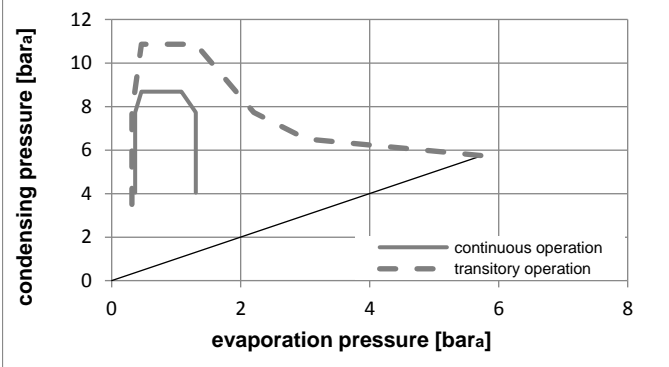
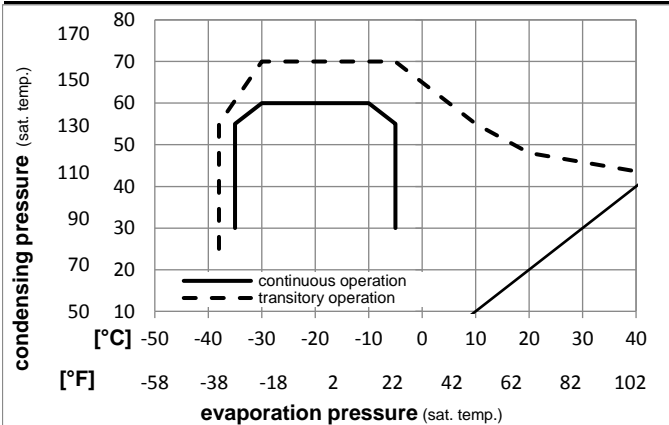


Ambient temperatures / system cooling

Ambient temperature min.:	10°C / 50°F
Ambient temperature max.:	43°C / 110°F

System cooling (n/a: outside limits)			
T ambient	LBP	MBP	HBP
32°C / 90°F	static	n/a	n/a
38°C / 100°F	static	n/a	n/a
43°C / 110°F	static	n/a	n/a

Operation pressure range



Components (will be pre-assembled)

- terminal board (PTC, 4.8mm) BN E6
- motor protector BDG AE 88 AHM x E6
- run capacitor (2µF, 4.8mm) cap. 2µF
- cover terminal board 160943_

Model

Designation **HXD40AA 220-240V/50Hz** Conf. 1 Sales code: **CDO00195**

Optimization + standard conditions

220V/50Hz, RSCR, static, VDE

	Evaporating pressure (saturation temperature)				Condensing pressure (saturation temperature)						Power consumption			Ref. mass flow
	pe	pc	RGT	Tliq	Cooling capacity			COP	EER		P1	I	m	
	[°C]	[°F]	[°C]	[°C]	[W]	[Btu/h]	[kcal/h]	[W/W]	[Btu/Wh]	[kcal/Wh]	[W]	[A]	[kg/h]	
	-23,3	45	32,2	32,2	79,2	270	68,2	2,01	6,86	1,73	39,4	0,18	0,85	opt
	-9,94	113	90	90										
	-23,3	54,4	32,2	32,2	72,4	247	62,3	1,76	6,01	1,51	41,1	0,19	0,78	ASHRAE LBP
	-10	130	90	90										
	-25	55	32	55	53,7	183	46,2	1,38	4,70	1,19	39,0	0,18	0,70	cecomaf LBP
	-13	131	89,6	131										
	-23,3	48,9	4,44	48,9	59,9	204	51,5	1,49	5,09	1,28	40,2	0,19	0,87	ARI540 LBP
	-10	120	40	120										
	-23,3	40,6	32,2	32,2	82,5	282	71,0	2,15	7,34	1,85	38,4	0,18	0,89	AHAM LBP
	-10	105	90	90										
	-35	45	32	45	34,2	117	29,5	1,34	4,57	1,15	25,6	0,12	0,41	opt
	-31	113	89,6	113										

Performance tables

220V/50Hz, RSCR, static, VDE

	pe	Cooling capacity			COP			EER			P1	I	m
	[°C]	[°F]	[W]	[Btu/h]	[kcal/h]	[W/W]	[Btu/Wh]	[kcal/Wh]	[W]	[A]	[kg/h]		
[°C / °F]	-35	-31	34,2	117	29,5	1,34	4,57	1,15	25,6	0,12	0,41		
cond. pressure	-30	-22	48,3	165	41,6	1,52	5,19	1,31	31,8	0,15	0,57		
pc= 45/113	-25	-13	65,0	222	55,9	1,73	5,92	1,49	37,5	0,17	0,77		
return gas temp.	-23,3	-10	71,4	244	61,4	1,81	6,19	1,56	39,4	0,18	0,85		
RGT= 32/90	-20	-4	85,0	290	73,2	1,98	6,75	1,70	43,0	0,20	1,01		
liquid temp	-15	5	109,1	373	93,9	2,26	7,71	1,94	48,3	0,22	1,30		
Tliq= 45/113	-5	23	172,8	590	148,7	2,91	9,93	2,50	59,4	0,27	2,07		
[°C / °F]	-35	-31	24,7	84	21,3	0,98	3,36	0,85	25,1	0,12	0,32		
cond. pressure	-30	-22	38,3	131	32,9	1,19	4,06	1,02	32,2	0,15	0,50		
pc= 55/131	-25	-13	53,7	183	46,2	1,38	4,70	1,19	39,0	0,18	0,70		
return gas temp	-23,3	-10	59,5	203	51,2	1,44	4,93	1,24	41,2	0,19	0,78		
RGT= 32/90	-20	-4	71,7	245	61,7	1,57	5,37	1,35	45,6	0,21	0,94		
liquid temp	-15	5	93,2	318	80,2	1,78	6,09	1,53	52,3	0,24	1,22		
Tliq= 55/131	-5	23	149,5	511	128,7	2,25	7,68	1,94	66,5	0,30	1,97		