

## Model

Designation	<b>HXD60AA</b>	<b>220-240V/50Hz ~</b>	Sales code:	<b>CDO00198</b>
-------------	----------------	------------------------	-------------	-----------------

## Compressor design

Oil type	Mineral	Refrigerant(s)	<b>R600a</b>
Oil viscosity	2,3cSt	Displacement	6cm <sup>3</sup> / 0,37cu.in
Oil quantity	77cm <sup>3</sup> / 2,6fl.oz	Compressors on pallet	168
Refr. charge - tech. limit	150g / 5,3oz		
Free gas volume comp.	837cm <sup>3</sup> / 28,3fl.oz		
Weight	3,9kg / 8,6lbs		
Motor protection	external		
Winding resistance main	39,2Ω (at 25°C)		
Winding resistance aux	43,9Ω (at 25°C)		
Max. winding temp.	120°C / 248°F		
Max. discharge temp.	120°C / 248°F		



## General - Configurations with HXD60AA

Conf. 1	
Motorconfiguration	RSCR
Power supply (nominal)	220-240V/50Hz
Number of phases	1
Voltage range	187-264V
Approvals	VDE
Starting torque	LST
Note	Electrical equipment will be pre-assembled to compressor.

## Applications with HXD60AA

Conf. 1	
Refrigerant	R600a
Application	LBP
System cooling	static
Hot gas defrost	-/-
Long interval pull down	-/-

## Electrical data - Configurations with HXD60AA

Conf. 1	
Starting device type	PTC
Run capacitor	2μF
Start capacitor	-/-
LRA (locked rotor amps / 4s)	2,22A
RLA (rated load amps / 1s)	
Cut in current	4,38A
IP class	21

## Model

Designation

**HXD60AA**

220-240V/50Hz ~

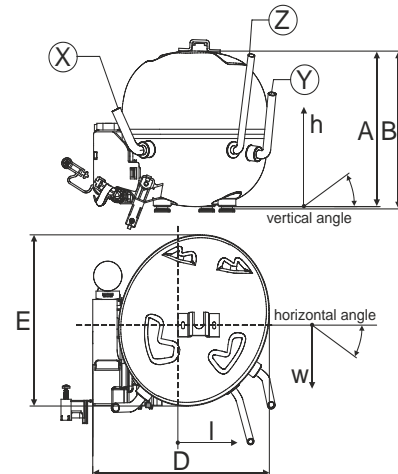
Sales code:

**CDO00198**

## Compressor dimensions

Housing	A Height	133mm / 5,24in
	B Height	134,5mm / 5,3in
	C Length shell	135mm / 5,31in
	D Length w. cover	159mm / 6,26in
	E Width	147mm / 5,79in

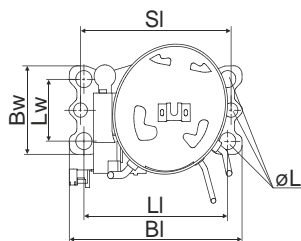
Connectors		Suction	Discharge	Process
		X	Y	Z
Diameter	[mm]	øi 6,1-6,3	øi 4,9-5,1	øo 5,92-6,08
	(i:inside, o:outside) [in]	øi 0,24-0,25	øi 0,19-0,2	øo 0,23-0,24
Material		copper	steel/CU	copper
Horizontal angle	±2°	0°	80°	74°
Vertical angle	±2°	79°	79°	72°
Position l/h/w	[mm]	-54/83/74	87/96/72	69/130/103
	[in]	-2,1/3,3/2,9	3,4/3,8/2,8	2,7/5,1/4,1
Straight tube l.	[mm]	14	14	14
	[in]	0,5	0,5	0,5



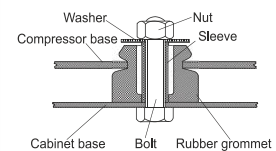
## Compressor fixation

### Adapter plate

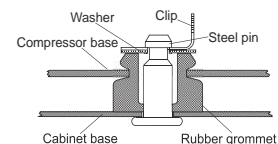
### Bolt joint



Baseplate	[mm]	[inch]
BI	204	8.03
Bw	100	3.94
Large holes	[mm]	[inch]
LI	170	6.7
LW	70	2.76
SI	178	7
øL	ø 16	ø 0.63



### Snap-on



For standard mounting	one comp.	multi pack
Adapter plate	157008_	
Bolt joint   M6   ø16mm	118-1917	118-1918
Bolt joint   ø1/4"   ø16mm	118-1946	
Snap-on   ø7,3   ø16mm	118-1947	118-1919

## Application notes

Various options of housing are possible (dip-tray fixture) - please contact SECOP-Sales.

Various options of connectors are possible - please contact SECOP-Sales.

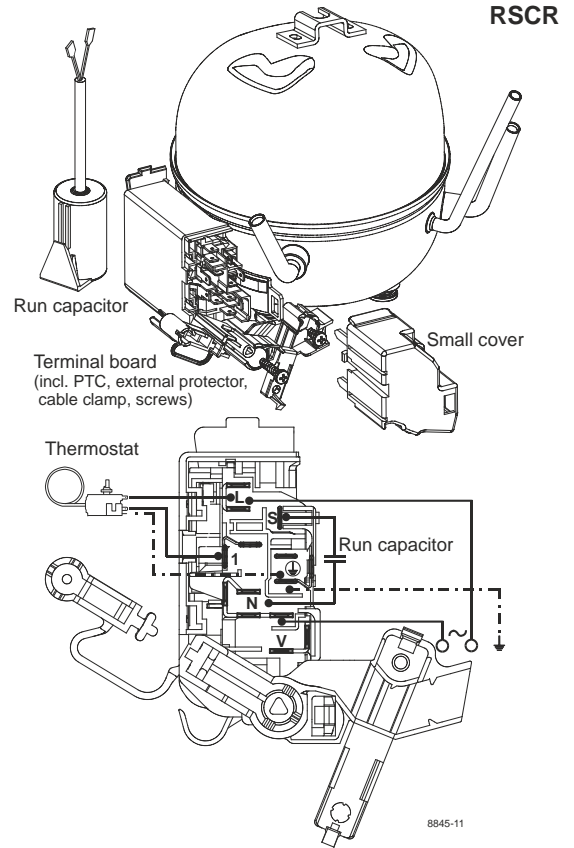
## Model

Designation **HXD60AA** **220-240V/50Hz** Conf. 1 Sales code: **CDO00198**

## Configuration

Motorconfiguration RSCR  
 Power supply (nominal) 220-240V/50Hz 1~  
 Refrigerant R600a  
 Application LBP  
 Voltage range 187-264V  
 Starting torque LST  
 Approvals VDE

## Electrical accessories / wiring diagram

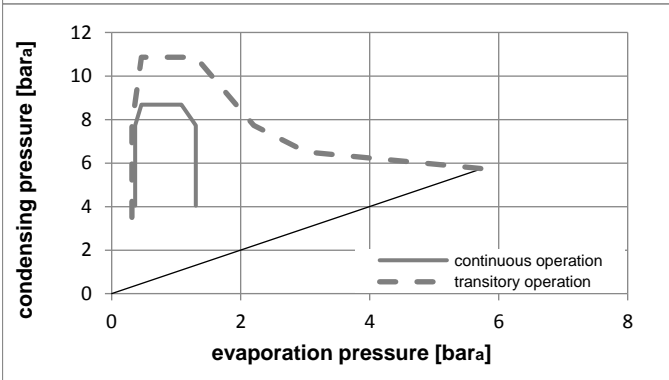
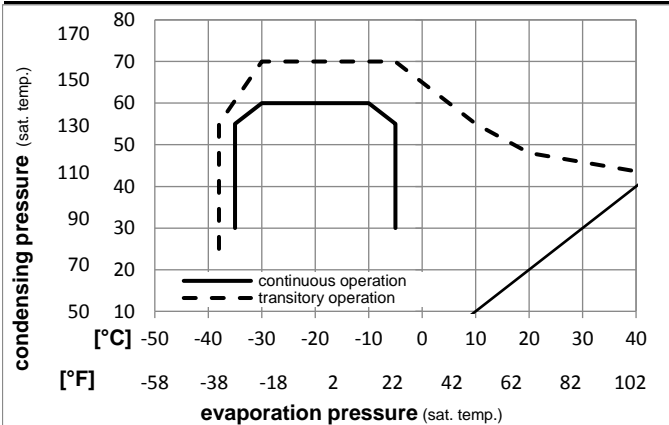


## Ambient temperatures / system cooling

Ambient temperature min.: 10°C / 50°F  
 Ambient temperature max.: 43°C / 110°F

System cooling (n/a: outside limits)			
T ambient	LBP	MBP	HBP
32°C / 90°F	static	n/a	n/a
38°C / 100°F	static	n/a	n/a
43°C / 110°F	static	n/a	n/a

## Operation pressure range



## Components (will be pre-assembled)

- terminal board (PTC,4.8mm) BN E4
- motor protector BDG AE 23 FLS 17 x E4
- run capacitor (2µF, 4.8mm) cap. 2µF
- cover terminal board 160943\_

### Model

Designation **HXD60AA 220-240V/50Hz** Conf. 1 Sales code: **CDO00198**

### Optimization + standard conditions

220V/50Hz, RSCR, static, VDE

	Evaporating pressure (saturation temperature)				Condensing pressure (saturation temperature)						Power consumption			Ref. mass flow
	pe	pc	RGT	Tliq	Cooling capacity			COP	EER		P1	I	m	
	[°C]	[°F]	[°C]	[°C]	[W]	[Btu/h]	[kcal/h]	[W/W]	[Btu/Wh]	[kcal/Wh]	[W]	[A]	[kg/h]	
	-23,3	45	32,2	32,2	120,3	411	103,5	1,97	6,73	1,70	61,1	0,29	1,29	opt
	-9,94	113	90	90										
	-23,3	54,4	32,2	32,2	110,4	377	95,0	1,72	5,86	1,48	64,3	0,30	1,19	ASHRAE LBP
	-10	130	90	90										
	-25	55	32	55	82,7	282	71,2	1,35	4,60	1,16	61,4	0,29	1,08	cecomaf LBP
	-13	131	89,6	131										
	-23,3	48,9	4,44	48,9	91,1	311	78,4	1,45	4,96	1,25	62,7	0,30	1,33	ARI540 LBP
	-10	120	40	120										
	-23,3	40,6	32,2	32,2	124,8	426	107,4	2,13	7,27	1,83	58,6	0,28	1,34	AHAM LBP
	-10	105	90	90										
	-35	45	32	45	59,3	203	51,0	1,39	4,74	1,19	42,7	0,21	0,70	opt
	-31	113	89,6	113										

### Performance tables

220V/50Hz, RSCR, static, VDE

	pe	Cooling capacity			COP	EER		P1	I	m	
	[°C]	[°F]	[W]	[Btu/h]	[kcal/h]	[W/W]	[Btu/Wh]	[kcal/Wh]	[W]	[A]	[kg/h]
[°C / °F]	-35	-31	59,3	203	51,0	1,39	4,74	1,19	42,7	0,21	0,70
cond. pressure	-30	-22	77,5	265	66,7	1,52	5,21	1,31	50,8	0,25	0,92
pc= 45/113	-25	-13	99,7	341	85,8	1,71	5,82	1,47	58,5	0,28	1,19
return gas temp.	-23,3	-10	108,4	370	93,3	1,78	6,07	1,53	61,1	0,29	1,29
RGT= 32/90	-20	-4	127,2	434	109,5	1,93	6,58	1,66	66,0	0,31	1,52
liquid temp	-15	5	161,0	550	138,5	2,19	7,48	1,88	73,5	0,34	1,92
Tliq= 45/113	-5	23	251,7	860	216,6	2,81	9,60	2,42	89,6	0,41	3,02
[°C / °F]	-35	-31	43,1	147	37,1	1,00	3,42	0,86	43,0	0,21	0,56
cond. pressure	-30	-22	61,4	210	52,8	1,17	4,01	1,01	52,3	0,25	0,80
pc= 55/131	-25	-13	82,7	282	71,2	1,35	4,60	1,16	61,4	0,29	1,08
return gas temp	-23,3	-10	90,8	310	78,2	1,41	4,81	1,21	64,5	0,30	1,19
RGT= 32/90	-20	-4	108,2	369	93,1	1,53	5,23	1,32	70,6	0,33	1,41
liquid temp	-15	5	138,9	474	119,6	1,73	5,92	1,49	80,2	0,37	1,82
Tliq= 55/131	-5	23	220,7	754	189,9	2,18	7,44	1,87	101,3	0,46	2,91