

Model

Designation	HZ30AA	220-240V/50Hz ~	Sales code:	CDO00211
-------------	---------------	------------------------	-------------	-----------------

Compressor design

Oil type	Mineral	Refrigerant(s)	R600a
Oil viscosity	2,3cSt	Displacement	3cm ³ / 0,18cu.in
Oil quantity	77cm ³ / 2,6fl.oz	Compressors on pallet	168
Refr. charge - tech. limit	150g / 5,3oz		
Free gas volume comp.	837cm ³ / 28,3fl.oz		
Weight	3,7kg / 8,2lbs		
Motor protection	external		
Winding resistance main	77,8Ω (at 25°C)		
Winding resistance aux	103,8Ω (at 25°C)		
Max. winding temp.	120°C / 248°F		
Max. discharge temp.	120°C / 248°F		



General - Configurations with HZ30AA

	Conf. 1
Motorconfiguration	RSCR
Power supply (nominal)	220-240V/50Hz
Number of phases	1
Voltage range	187-264V
Approvals	VDE
Starting torque	LST
Note	Electrical equipment will be pre-assembled to compressor.

Applications with HZ30AA

	Conf. 1
Refrigerant	R600a
Application	LBP
System cooling	static
Hot gas defrost	-/-
Long interval pull down	-/-

Electrical data - Configurations with HZ30AA

	Conf. 1
Starting device type	PTC
Run capacitor	1μF
Start capacitor	-/-
LRA (locked rotor amps / 4s)	1,1A
RLA (rated load amps / 1s)	
Cut in current	2,21A
IP class	21

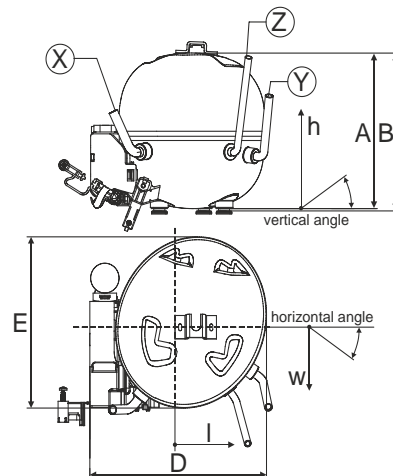
Model

Designation	HZ30AA	220-240V/50Hz ~	Sales code:	CDO00211
-------------	---------------	-----------------	-------------	-----------------

Compressor dimensions

Housing	A Height	133mm / 5,24in
	B Height	134,5mm / 5,3in
	C Length shell	135mm / 5,31in
	D Length w. cover	159mm / 6,26in
	E Width	147mm / 5,79in

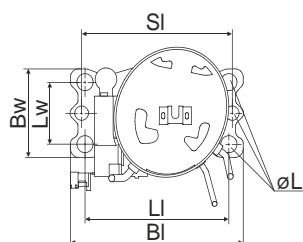
Connectors		Suction	Discharge	Process
		X	Y	Z
Diameter	[mm]	øi 6,1-6,3	øi 4,9-5,1	øo 5,92-6,08
(i:inside, o:outside)	[in]	øi 0,24-0,25	øi 0,19-0,2	øo 0,23-0,24
Material		copper	steel/CU	copper
Horizontal angle	±2°	0°	80°	74°
Vertical angle	±2°	79°	79°	72°
Position l/h/w	[mm]	-54/83/74	87/96/72	69/130/103
	[in]	-2,1/3,3/2,9	3,4/3,8/2,8	2,7/5,1/4,1
Straight tube l.	[mm]	14	14	14
	[in]	0,5	0,5	0,5



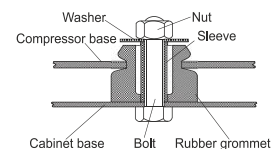
Compressor fixation

Adapter plate

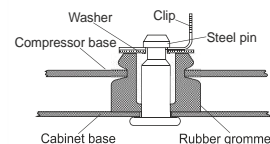
Bolt joint



Baseplate	[mm]	[inch]
BI	204	8.03
Bw	100	3.94
Large holes	[mm]	[inch]
LI	170	6.7
Lw	70	2.76
SI	178	7
øL	ø 16	ø 0.63



Snap-on



For standard mounting	one comp.	multi pack
Adapter plate	157008_	
Bolt joint M6 ø16mm	118-1917	118-1918
Bolt joint ø1/4" ø16mm	118-1946	
Snap-on ø7,3 ø16mm	118-1947	118-1919

Application notes

Various options of housing are possible (dip-tray fixture) - please contact SECOP-Sales.

Various options of connectors are possible - please contact SECOP-Sales.

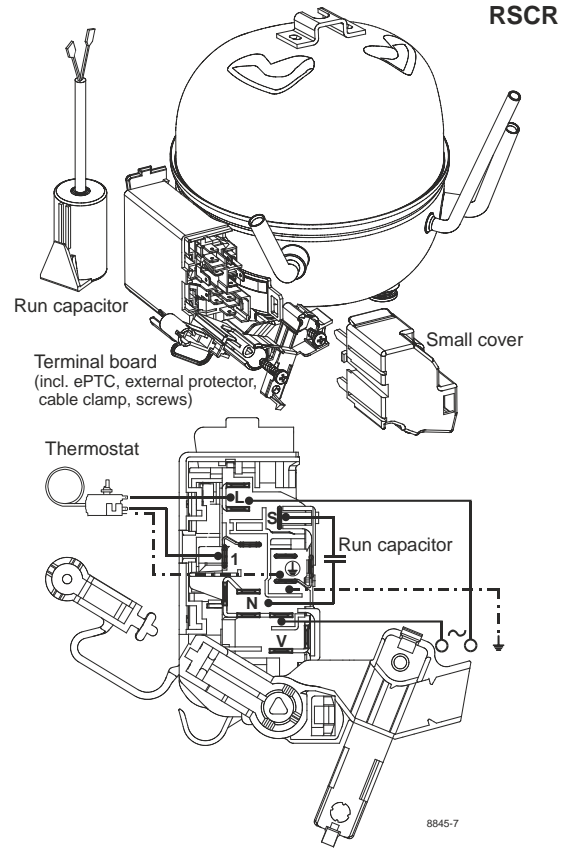
Model

Designation	HZ30AA	220-240V/50Hz	Conf. 1	Sales code:	CDO00211
-------------	---------------	----------------------	----------------	-------------	-----------------

Configuration

Motorconfiguration	RSCR
Power supply (nominal)	220-240V/50Hz 1~
Refrigerant	R600a
Application	LBP
Voltage range	187-264V
Starting torque	LST
Approvals	VDE

Electrical accessories / wiring diagram

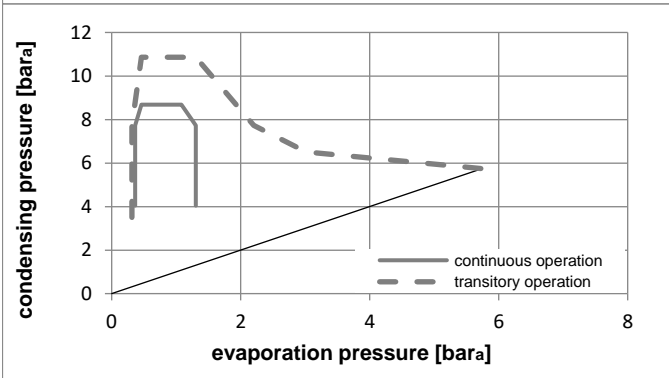
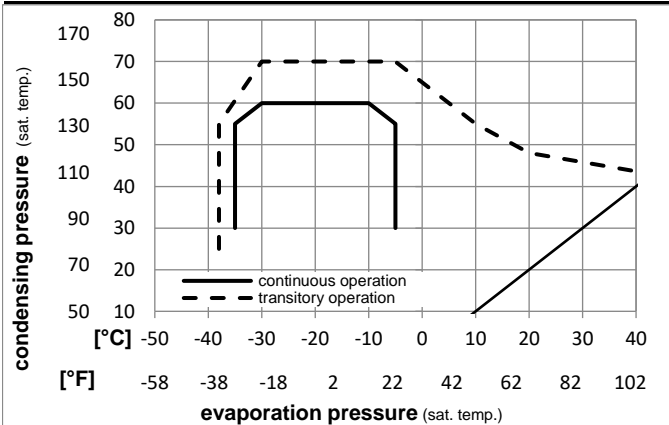


Ambient temperatures / system cooling

Ambient temperature min.:	10°C / 50°F
Ambient temperature max.:	43°C / 110°F

System cooling (n/a: outside limits)			
T ambient	LBP	MBP	HBP
32°C / 90°F	static	n/a	n/a
38°C / 100°F	static	n/a	n/a
43°C / 110°F	static	n/a	n/a

Operation pressure range



Components (will be pre-assembled)

terminal board (ePTC,4.8mm)	BX E7
motor protector BDG AE 90 AHM x	E7
run capacitor (1μF, 4.8mm)	cap. 1μF
cover terminal board	160943_

Alternative components

terminal board (PTC,4.8mm)	BN E7
motor protector BDG AE 90 AHM x	E7
run capacitor (1μF, 4.8mm)	cap. 1μF
cover terminal board	160943_

Model

Designation	HZ30AA	220-240V/50Hz	Conf. 1	Sales code: CDO00211
-------------	---------------	----------------------	----------------	-----------------------------

Optimization + standard conditions

220V/50Hz, RSCR, static, VDE

	Evaporating pressure (saturation temperature)				Condensing pressure (saturation temperature)			Return gas temp.			Liquid temp.			Cooling capacity			COP	EER	Power consumption			Ref. mass flow
	pe	pc	RGT	Tliq	[W]	[Btu/h]	[kcal/h]	[W/W]	[Btu/WWh]	[kcal/WWh]	P1	I	m	[W]	[A]	[kg/h]						
[°C]	-23,3	45	32,2	32,2	54,6	187	47,0	2,04	6,95	1,75	26,8	0,12	0,59	opt								
[°F]	-9,94	113	90	90																		
[°C]	-23,3	54,4	32,2	32,2	49,2	168	42,4	1,76	6,01	1,51	28,0	0,13	0,53	ASHRAE LBP								
[°F]	-10	130	90	90																		
[°C]	-25	55	32	55	36,5	124	31,4	1,37	4,69	1,18	26,5	0,12	0,48	cecomaf LBP								
[°F]	-13	131	89,6	131																		
[°C]	-23,3	48,9	4,44	48,9	41,0	140	35,3	1,50	5,11	1,29	27,4	0,12	0,60	ARI540 LBP								
[°F]	-10	120	40	120																		
[°C]	-23,3	40,6	32,2	32,2	57,2	195	49,2	2,19	7,47	1,88	26,2	0,12	0,61	AHAM LBP								
[°F]	-10	105	90	90																		
[°C]	-35	45	32	45	23,8	81	20,5	1,34	4,57	1,15	17,8	0,08	0,28	opt								
[°F]	-31	113	89,6	113																		

Performance tables

220V/50Hz, RSCR, static, VDE

	pe	Cooling capacity			COP	EER	P1	I	m		
	[°C]	[°F]	[W]	[Btu/h]	[kcal/h]	[W/W]	[Btu/WWh]	[kcal/WWh]	[W]	[A]	[kg/h]
[°C / °F]	-35	-31	23,8	81	20,5	1,34	4,57	1,15	17,8	0,08	0,28
cond. pressure	-30	-22	33,3	114	28,7	1,53	5,23	1,32	21,8	0,10	0,40
pc= 45/113	-25	-13	44,8	153	38,6	1,75	5,98	1,51	25,6	0,12	0,53
return gas temp.	-23,3	-10	49,3	168	42,4	1,83	6,27	1,58	26,8	0,12	0,59
RGT= 32/90	-20	-4	58,8	201	50,6	2,01	6,86	1,73	29,3	0,13	0,70
liquid temp	-15	5	76,1	260	65,5	2,30	7,84	1,98	33,1	0,15	0,91
Tliq= 45/113	-5	23	122,4	418	105,3	2,95	10,06	2,54	41,5	0,19	1,47
[°C / °F]	-35	-31	16,7	57	14,3	0,95	3,26	0,82	17,5	0,08	0,22
cond. pressure	-30	-22	25,8	88	22,2	1,17	4,01	1,01	22,0	0,10	0,34
pc= 55/131	-25	-13	36,5	124	31,4	1,37	4,69	1,18	26,5	0,12	0,48
return gas temp	-23,3	-10	40,5	138	34,8	1,44	4,93	1,24	28,1	0,13	0,53
RGT= 32/90	-20	-4	49,1	168	42,2	1,58	5,39	1,36	31,1	0,14	0,64
liquid temp	-15	5	64,4	220	55,4	1,79	6,13	1,54	35,9	0,16	0,84
Tliq= 55/131	-5	23	105,2	359	90,5	2,26	7,72	1,94	46,5	0,21	1,38