

Model

Designation	NLX10KK	220-240V/50Hz 1~	Sales code:	105H6112
-------------	----------------	------------------	-------------	-----------------

Compressor design

Oil type	Mineral	Refrigerant(s)	R600a
Oil viscosity	9,6cST	Displacement	10,09cm ³ / 0,62cu.in
Oil quantity	265cm ³ / 9fl.oz	Compressors on pallet	80
Refr. charge - tech. limit	150g / 5,3oz		
Free gas volume comp.	2360cm ³ / 79,8fl.oz		
Weight	10,7kg / 23,6lbs		
Motor protection	1# internal		
Winding resistance main	18,1Ω (at 25°C)		
Winding resistance aux	17,3Ω (at 25°C)		
Max. winding temp.	105°C / 221°F		
Max. discharge temp.	130°C / 266°F		



General - Configurations with NLX10KK

	Conf. 1	Conf. 2
Motorconfiguration	RSCR	RSCR
Power supply (nominal)	220-240V/50Hz	220-240V/50Hz
Number of phases	1	1
Voltage range	198-254V	198-254V
Approvals	CCC, VDE, CB	CCC, VDE, CB
Starting torque	LST	LST
Note	- / -	

Applications with NLX10KK

	Conf. 1	Conf. 2
Refrigerant	R600a	R600a
Application	LBP	LBP
System cooling	static	static
Hot gas defrost	- / -	- / -
Long interval pull down	- / -	- / -

Electrical data - Configurations with NLX10KK

	Conf. 1	Conf. 2
Starting device type	PTC	PTC
Run capacitor	4μF	4μF
Start capacitor	- / -	- / -
LRA (locked rotor amps / 4s)	3,4A	3,4A
RLA (rated load amps / 1s)	0,7A	0,7A
Cut in current	7,5A	7,5A

Model

Designation

NLX10KK

220-240V/50Hz 1~

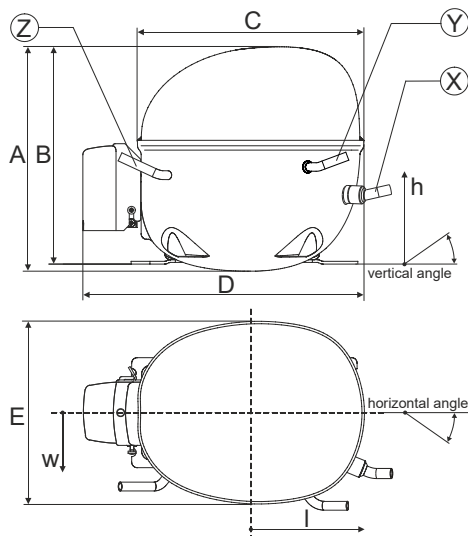
Sales code:

105H6112

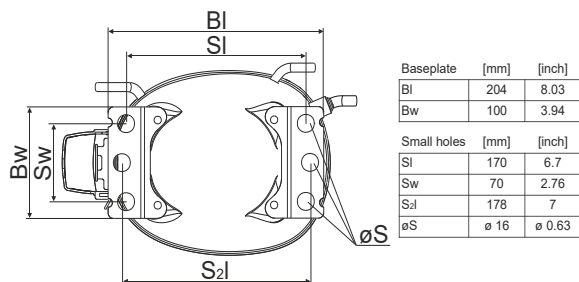
Compressor dimensions

Housing	A Height	187,5mm / 7,38in
	B Height	181,5mm / 7,15in
	C Length shell	205mm / 8,07in
	D Length w. cover	254mm / 10in
	E Width	166mm / 6,54in

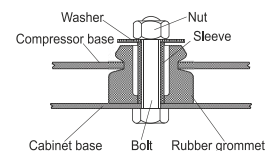
Connectors	Suction	Discharge	Process
	X	Y	Z
Diameter [mm]	øi 6,11-6,29	øi 5,12-5,22	øi 6,11-6,29
(i:inside, o:outside) [in]	øi 0,24-0,25	øi 0,2-0,21	øi 0,24-0,25
Material	copper	copper	copper
Horizontal angle ±2°	0°	0°	0°
Vertical angle ±2°	15°	35°	155°
Position l/h/w [mm]	126/74/85	133/103/54	-107/94/72
	4,9/2,9/3,3	5,2/4/2,1	-4,2/3,7/2,8
Straight tube l. [mm]	12	12	12
	0,5	0,5	0,5



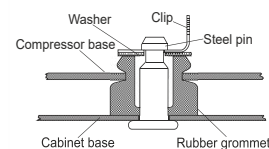
Compressor fixation



Bolt joint



Snap-on



Mounting accessories

	one comp.	multi pack
Bolt joint M6 ø16mm	118-1917	118-1918
Bolt joint ø1/4" ø16mm	118-1946	
Snap-on ø7,3 ø16mm	118-1947	118-1919

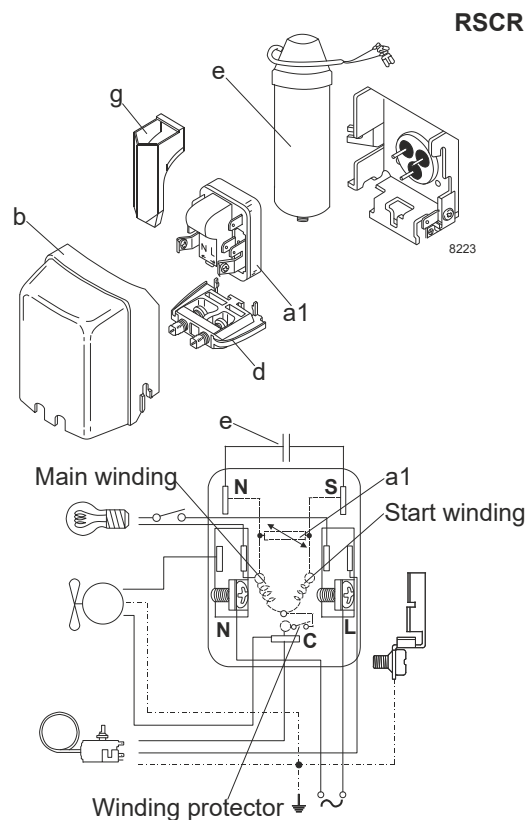
Model

Designation	NLX10KK	220-240V/50Hz	Conf. 1	Sales code:	105H6112
-------------	----------------	----------------------	----------------	-------------	-----------------

Configuration

Motorconfiguration	RSCR
Power supply (nominal)	220-240V/50Hz 1~
Refrigerant	R600a
Application	LBP
Voltage range	198-254V
Starting torque	LST
Approvals	CCC VDE CB

Electrical accessories / wiring diagram

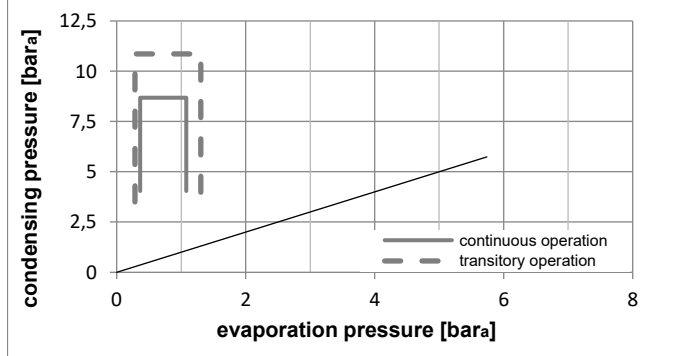
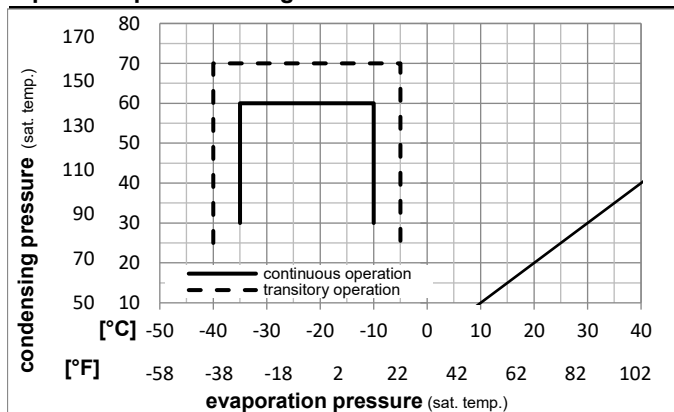


Ambient temperatures / system cooling

Ambient temperature min.:	10°C / 50°F
Ambient temperature max.:	43°C / 110°F

System cooling (n/a: outside limits)			
T ambient	LBP	MBP	HBP
32°C / 90°F	static	n/a	n/a
38°C / 100°F	static	n/a	n/a
43°C / 110°F	static	n/a	n/a

Operation pressure range



Components

a1	PTC starter (220V, 250hm, 4.8mm)	103N0021
e	run capacitor (4μF, 4.8mm)	117-7119
b	plastic cover	103N2010
d	cord relief	103N1010
g	protection screen for PTC	103N0476
	bracket for run capacitor	117-0300

Alternative components

a1	e-PTC starter (220V, 250hm, 4.8mm)	103N0050
b	plastic cover	103N2011
	screw M4x8mm	117-0301

Model

Designation **NLX10KK 220-240V/50Hz** Conf. 1 Sales code: **105H6112**

Optimization + standard conditions

R600a, 220V/50Hz, RSCR, static, CCC, VDE, CB

		Evaporating pressure (saturation temperature)				Condensing pressure (saturation temperature)			Return gas temp.			Liquid temp.			Cooling capacity			COP	EER	Power consumption			
		pe	pc	RGT	Tliq	[W]	[Btu/h]	[kcal/h]	[W/W]	[Btu/Wh]	[kcal/Wh]	P1	I	Ref. mass flow									
[°C]	[°F]											[W]	[A]	[kg/h]									
-23	54	32	32	174,2	595	149,9	1,73	5,90	1,49	100,8	0,47	1,87	ASHRAE LBP										
-10	130	90	90																				
-25	55	32	55	131,0	447	112,7	1,36	4,63	1,17	96,5	0,45	1,71	cecomaf LBP										
-13	131	90	131																				
-35	40	20	40	92,4	316	79,5	1,32	4,50	1,13	70,2	0,32	1,12	EN12900 LBP										
-31	104	68	104																				
-23	49	4,4	49	141,8	484	122,0	1,44	4,90	1,24	98,8	0,46	2,07	ARI540 LBP										
-10	120	40	120																				
-23	41	32	32	188,6	644	162,3	1,99	6,79	1,71	94,8	0,44	2,02	AHAM LBP										
-10	105	90	90																				
-35	45	32	45	87,7	300	75,5	1,24	4,23	1,07	70,7	0,33	1,04	opt										
-31	113	90	113																				

Performance tables

R600a, 220V/50Hz, RSCR, static, CCC, VDE, CB

	pe		Cooling capacity			COP	EER	P1	I	m	
	[°C]	[°F]	[W]	[Btu/h]	[kcal/h]	[W/W]	[Btu/Wh]	[kcal/Wh]	[W]	[A]	[kg/h]
[°C / °F]	-35	-31	87,7	300	75,5	1,24	4,23	1,07	70,7	0,33	1,04
cond. pressure	-30	-22	116,8	399	100,5	1,43	4,88	1,23	81,8	0,38	1,39
pc= 45/113	-25	-13	152,3	520	131,1	1,63	5,58	1,41	93,2	0,43	1,81
return gas temp.	-23	-10	166,0	567	142,8	1,71	5,83	1,47	97,2	0,45	1,98
RGT= 32/90	-20	-4	195,0	666	167,8	1,86	6,35	1,60	105,0	0,49	2,33
liquid temp	-15	5	245,9	840	211,6	2,10	7,19	1,81	116,8	0,55	2,94
Tliq= 45/113	-10	14	305,8	1044	263,2	2,38	8,11	2,04	128,7	0,60	3,66
[°C / °F]	-35	-31	73,8	252	63,5	1,04	3,55	0,89	71,0	0,32	0,96
cond. pressure	-30	-22	99,5	340	85,6	1,19	4,07	1,03	83,4	0,38	1,30
pc= 55/131	-25	-13	131,0	447	112,7	1,36	4,63	1,17	96,5	0,45	1,71
return gas temp	-23	-10	143,1	489	123,2	1,42	4,84	1,22	101,1	0,47	1,87
RGT= 32/90	-20	-4	169,1	577	145,5	1,54	5,24	1,32	110,1	0,51	2,21
liquid temp	-15	5	214,7	733	184,8	1,73	5,91	1,49	124,1	0,57	2,81
Tliq= 55/131	-10	14	268,8	918	231,4	1,94	6,63	1,67	138,4	0,64	3,53

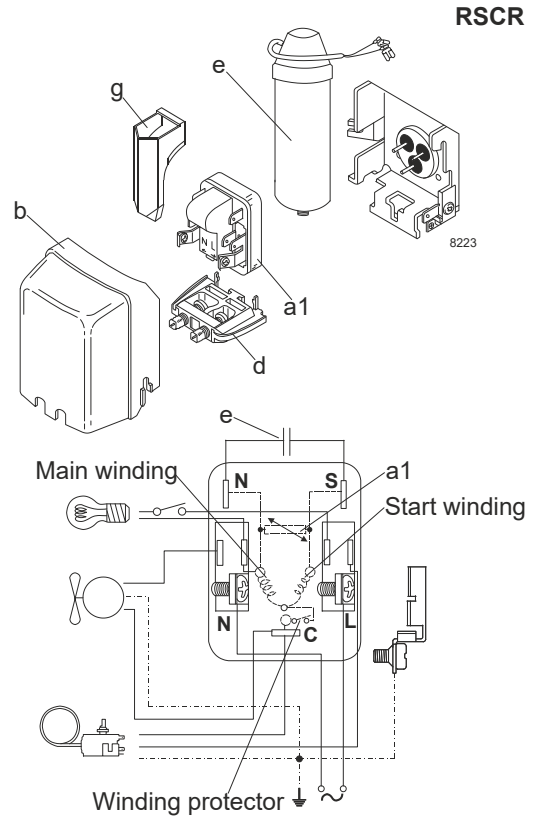
Model

Designation	NLX10KK	220-240V/50Hz	Conf. 2	Sales code:	105H6112
-------------	----------------	----------------------	----------------	-------------	-----------------

Configuration

Motorconfiguration	RSCR
Power supply (nominal)	220-240V/50Hz 1~
Refrigerant	R600a
Application	LBP
Voltage range	198-254V
Starting torque	LST
Approvals	CCC VDE CB

Electrical accessories / wiring diagram

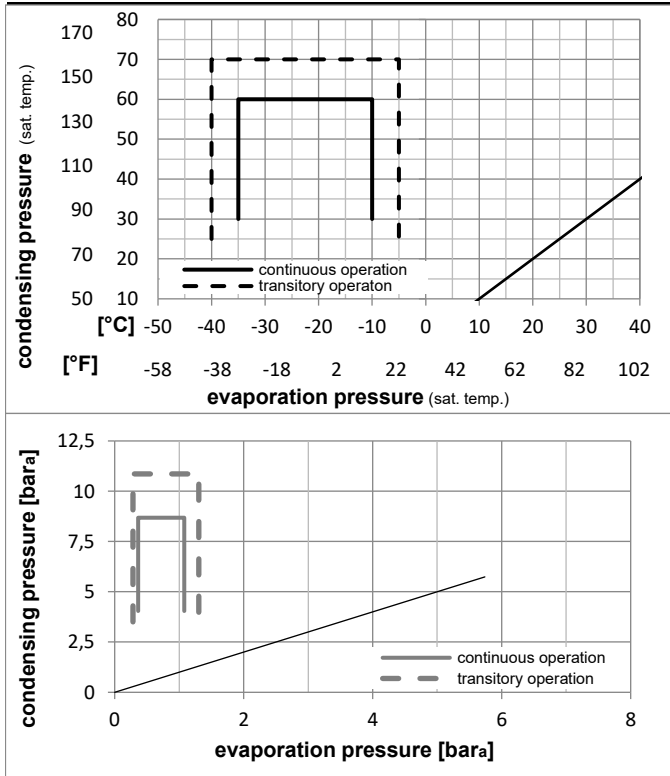


Ambient temperatures / system cooling

Ambient temperature min.:	10°C / 50°F
Ambient temperature max.:	43°C / 110°F

System cooling (n/a: outside limits)			
T ambient	LBP	MBP	HBP
32°C / 90°F	static	n/a	n/a
38°C / 100°F	static	n/a	n/a
43°C / 110°F	static	n/a	n/a

Operation pressure range



Components

a1	PTC starter (220V, 250hm, 6.3mm)	103N0016
e	run capacitor (4μF, 6.3mm)	117-7117
b	plastic cover	103N2010
d	cord relief	103N1010
g	protection screen for PTC	103N0476
	bracket for run capacitor	117-0300

Alternative components

b	plastic cover	103N2011
	screw M4x8mm	117-0301

Model

Designation **NLX10KK** **220-240V/50Hz** Conf. 2 Sales code: **105H6112**

Optimization + standard conditions

R600a, 220V/50Hz, RSCR, static, CCC, VDE, CB

	Evaporating pressure (saturation temperature)				Cooling capacity			COP	EER	P1	Power consumption			ASHRAE LBP
	pe	pc	RGT	Tliq	[W]	[Btu/h]	[kcal/h]				Current consumption	Ref. mass flow		
[°C]	[°C]	[°C]	[°C]	[W]	[Btu/h]	[kcal/h]	[W/W]	[Btu/Wh]	[kcal/Wh]	[W]	[A]	[kg/h]		
[°F]	[°F]	[°F]	[°F]	[W]	[Btu/h]	[kcal/h]	[W/W]	[Btu/Wh]	[kcal/Wh]	[W]	[A]	[kg/h]		
-23	54	32	32	174,2	595	149,9	1,73	5,90	1,49	100,8	0,47	1,87	ASHRAE LBP	
-10	130	90	90											
-25	55	32	55	131,0	447	112,7	1,36	4,63	1,17	96,5	0,45	1,71	cecomaf LBP	
-13	131	90	131											
-35	40	20	40	92,4	316	79,5	1,32	4,50	1,13	70,2	0,32	1,12	EN12900 LBP	
-31	104	68	104											
-23	49	4,4	49	141,8	484	122,0	1,44	4,90	1,24	98,8	0,46	2,07	ARI540 LBP	
-10	120	40	120											
-23	41	32	32	188,6	644	162,3	1,99	6,79	1,71	94,8	0,44	2,02	AHAM LBP	
-10	105	90	90											
-35	45	32	45	87,7	300	75,5	1,24	4,23	1,07	70,7	0,33	1,04	opt	
-31	113	90	113											

Performance tables

R600a, 220V/50Hz, RSCR, static, CCC, VDE, CB

	pe		Cooling capacity			COP	EER	P1	I	m	
	[°C]	[°F]	[W]	[Btu/h]	[kcal/h]						
[°C / °F]	-35	-31	87,7	300	75,5	1,24	4,23	1,07	70,7	0,33	1,04
cond. pressure	-30	-22	116,8	399	100,5	1,43	4,88	1,23	81,8	0,38	1,39
pc= 45/113	-25	-13	152,3	520	131,1	1,63	5,58	1,41	93,2	0,43	1,81
return gas temp.	-23	-10	166,0	567	142,8	1,71	5,83	1,47	97,2	0,45	1,98
RGT= 32/90	-20	-4	195,0	666	167,8	1,86	6,35	1,60	105,0	0,49	2,33
liquid temp	-15	5	245,9	840	211,6	2,10	7,19	1,81	116,8	0,55	2,94
Tliq= 45/113	-10	14	305,8	1044	263,2	2,38	8,11	2,04	128,7	0,60	3,66
[°C / °F]	-35	-31	73,8	252	63,5	1,04	3,55	0,89	71,0	0,32	0,96
cond. pressure	-30	-22	99,5	340	85,6	1,19	4,07	1,03	83,4	0,38	1,30
pc= 55/131	-25	-13	131,0	447	112,7	1,36	4,63	1,17	96,5	0,45	1,71
return gas temp	-23	-10	143,1	489	123,2	1,42	4,84	1,22	101,1	0,47	1,87
RGT= 32/90	-20	-4	169,1	577	145,5	1,54	5,24	1,32	110,1	0,51	2,21
liquid temp	-15	5	214,7	733	184,8	1,73	5,91	1,49	124,1	0,57	2,81
Tliq= 55/131	-10	14	268,8	918	231,4	1,94	6,63	1,67	138,4	0,64	3,53