

XV8.0KX

Variable Speed Drive Compressor

R600a

220-240V 50/60Hz & 100-127V 50/60Hz



General

| | |
|---|--|
| Code number | 108H7710 |
| Electronic unit (attached) - XV-AEO/Freq. Inputs: Modbus, thermostat, frequency signal | 220-240V 50/60Hz 105N5022, 50 pcs: 105N5023 |
| Electronic unit (detached) - XV-Frequency Input: Frequency signal (connector cable assembly req'd) | 220-240V 50/60Hz 105N5052, 50 pcs: 105N5053 |
| Electronic unit (attached, PFC) - XV-AEO/Freq. Inputs: Modbus, thermostat, frequency signal | 220-240V 50/60Hz 105N5320, 50 pcs: 105N5321 |
| Electronic unit (attached) - XV-AEO/Freq. Inputs: Modbus, thermostat, frequency signal | 100-127V 50/60Hz 105N5312, 50 pcs: 105N5313 |
| Electronic unit (detached) - XV-Frequency Input: Frequency signal (connector cable assembly req'd) | 100-127V 50/60Hz 105N5150, 20 pcs: 105N5151 |
| Approvals | EN 60335-2-34 w. Annex AA (VDE), GB 4706.17 (CCC/CQC), UL 60335-2-34 |
| Compressors on pallet | 175 |
| Remarks: In AEO (Adaptive Energy Optimizing) speed mode the XV compressor will always adapt its speed to the actual cooling demand. PFC = power factor correction according to EN 61000-3-2:2014 | |



yellow warning label is placed separately



Application

| Application | LBP | |
|---|-------------------|-------------------|
| Frequency | 50 | 60 |
| Evaporating temperature °C | -35 to 0 (-5/-10) | -35 to 0 (-5/-10) |
| Voltage range w. 105N5022/105N5052/105N5320 V | 160 - 264 | 160 - 264 |
| Voltage range w. 105N5312/105N5150 V | 90 - 135 | 90 - 135 |
| Max. condensing temperature continuous (short) °C | 60 (70) | 60 (70) |
| Max. winding temperature continuous (short) °C | 125 (135) | 125 (135) |

- S = Static cooling normally sufficient
- O = Oil cooling
- F₁ = Fan cooling 1.5 m/s
(compressor compartment temperature equal to ambient temperature)
- F₂ = Fan cooling 3.0 m/s necessary
- SG = Suction gas cooling normally sufficient
- = not applicable in this area

Cooling requirements

| Frequency | Hz | 50 | | | 60 | | |
|-------------|----|-----|-----|-----|-----|-----|-----|
| Application | | LBP | MBP | HBP | LBP | MBP | HBP |
| 32°C | | S | - | - | S | - | - |
| 38°C | | S | - | - | S | - | - |
| 43°C | | S | - | - | S | - | - |

Remarks: HST capable (High starting torque, start against differential pressure)
All measured performance data include losses caused by electronic unit.

Features

| | | |
|------------------------|-----|-------------------------------|
| Speed range | rpm | 1000 - 4000 |
| Protections | | current / speed / temperature |
| External speed control | | frequency signal 5V, 0-200Hz |

Motor

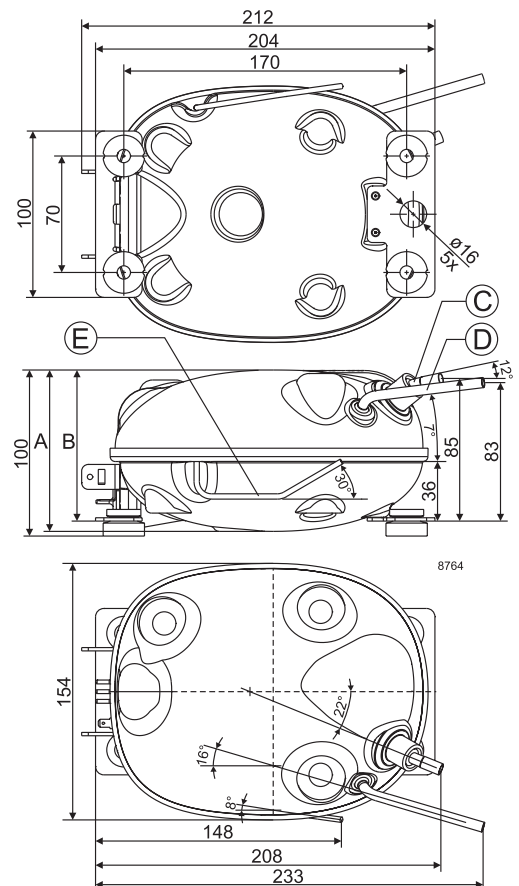
| | | |
|-----------------------------------|---|--------------------|
| Motor type | | permanent magnet |
| LRA (rated after 4 sec. UL984) | A | electronic cut off |
| Maximum current | A | 2.5 |
| Resistance, all 3 windings (25°C) | Ω | 10.0 |

Design

| | | |
|-------------------------------|-----------------|---------------------|
| Displacement | cm ³ | 7.7 |
| Oil quantity (type) | cm ³ | 115 (5 cSt mineral) |
| Maximum refrigerant charge | g | 150 |
| Free gas volume in compressor | cm ³ | 900 |
| Weight | kg | 4.8 |

Dimensions

| | | | |
|---------------------|--------------------------|---|-------------------------------|
| Height | mm | A | 97.0 |
| | | B | 91.0 |
| Suction connector | location/I.D. mm angle | C | 6.2 12° |
| | material comment | | Cu-plated steel Rubber plug |
| Process connector | location/O.D. mm angle | D | 6.0 7° |
| | material comment | | Copper Rubber plug |
| Discharge connector | location/O.D. mm angle | E | 3.2 30° |
| | material comment | | Cu-plated steel Rubber plug |
| Connector tolerance | mm | | 6.2 +0.1, 6.0 ±0.1, 3.2 ±0.05 |



1000 rpm EN 12900 Household/CECOMAF, condensing temperature 35°C (95°F), 220V, 50/60Hz, static cooling

| Evap. temp. in °C | -45 | -40 | -35 | -30 | -25 | -23.3 | -20 | -15 | -10 | -6.7 | -5 | 0 | 5 | 7.2 | 10 |
|--------------------|-----|-----|------|------|------|-------|------|------|------|-------|-------|-------|---|-----|----|
| Capacity in W | | | 24.8 | 33.4 | 44.3 | 48.7 | 58.5 | 76.4 | 97.2 | 112.0 | 119.6 | 141.3 | | | |
| Power cons. in W | | | 15.0 | 17.5 | 20.0 | 20.8 | 22.6 | 25.4 | 28.1 | 29.6 | 30.3 | 31.9 | | | |
| Current cons. in A | | | 0.09 | 0.16 | 0.18 | 0.19 | 0.20 | 0.22 | 0.25 | 0.28 | 0.30 | 0.35 | | | |
| Cons. w/ PFC in A | | | 0.06 | 0.10 | 0.12 | 0.13 | 0.14 | 0.15 | 0.17 | 0.18 | 0.19 | 0.22 | | | |
| COP in W/W | | | 1.65 | 1.90 | 2.22 | 2.34 | 2.59 | 3.01 | 3.46 | 3.78 | 3.94 | 4.42 | | | |

1200 rpm EN 12900 Household/CECOMAF, condensing temperature 35°C (95°F), 220V, 50/60Hz, static cooling

| Evap. temp. in °C | -45 | -40 | -35 | -30 | -25 | -23.3 | -20 | -15 | -10 | -6.7 | -5 | 0 | 5 | 7.2 | 10 |
|--------------------|-----|-----|------|------|------|-------|------|------|-------|-------|-------|-------|---|-----|----|
| Capacity in W | | | 32.4 | 42.7 | 55.4 | 60.5 | 71.6 | 91.8 | 115.5 | 132.5 | 141.4 | 167.3 | | | |
| Power cons. in W | | | 19.5 | 22.3 | 24.8 | 25.7 | 27.6 | 30.5 | 33.5 | 35.2 | 36.1 | 38.1 | | | |
| Current cons. in A | | | 0.13 | 0.20 | 0.23 | 0.24 | 0.25 | 0.28 | 0.31 | 0.34 | 0.36 | 0.41 | | | |
| Cons. w/ PFC in A | | | 0.09 | 0.12 | 0.15 | 0.16 | 0.17 | 0.19 | 0.21 | 0.22 | 0.23 | 0.26 | | | |
| COP in W/W | | | 1.66 | 1.92 | 2.23 | 2.35 | 2.60 | 3.01 | 3.45 | 3.76 | 3.92 | 4.39 | | | |

1400 rpm EN 12900 Household/CECOMAF, condensing temperature 35°C (95°F), 220V, 50/60Hz, static cooling

| Evap. temp. in °C | -45 | -40 | -35 | -30 | -25 | -23.3 | -20 | -15 | -10 | -6.7 | -5 | 0 | 5 | 7.2 | 10 |
|--------------------|-----|-----|------|------|------|-------|------|-------|-------|-------|-------|-------|---|-----|----|
| Capacity in W | | | 38.7 | 50.7 | 65.1 | 70.9 | 83.4 | 106.1 | 132.8 | 152.1 | 162.3 | 192.3 | | | |
| Power cons. in W | | | 23.3 | 26.4 | 29.2 | 30.2 | 32.2 | 35.5 | 38.8 | 40.8 | 41.8 | 44.2 | | | |
| Current cons. in A | | | 0.17 | 0.24 | 0.28 | 0.29 | 0.31 | 0.33 | 0.37 | 0.40 | 0.42 | 0.47 | | | |
| Cons. w/ PFC in A | | | 0.11 | 0.15 | 0.18 | 0.19 | 0.21 | 0.23 | 0.25 | 0.26 | 0.27 | 0.30 | | | |
| COP in W/W | | | 1.66 | 1.92 | 2.23 | 2.35 | 2.59 | 2.99 | 3.43 | 3.73 | 3.89 | 4.35 | | | |

1600 rpm EN 12900 Household/CECOMAF, condensing temperature 35°C (95°F), 220V, 50/60Hz, static cooling

| Evap. temp. in °C | -45 | -40 | -35 | -30 | -25 | -23.3 | -20 | -15 | -10 | -6.7 | -5 | 0 | 5 | 7.2 | 10 |
|--------------------|-----|-----|------|------|------|-------|------|-------|-------|-------|-------|-------|---|-----|----|
| Capacity in W | | | 44.2 | 57.8 | 74.0 | 80.4 | 94.4 | 119.6 | 149.4 | 171.0 | 182.5 | 216.9 | | | |
| Power cons. in W | | | 26.8 | 30.2 | 33.4 | 34.5 | 36.7 | 40.4 | 44.1 | 46.4 | 47.5 | 50.4 | | | |
| Current cons. in A | | | 0.21 | 0.28 | 0.33 | 0.34 | 0.36 | 0.39 | 0.43 | 0.46 | 0.48 | 0.53 | | | |
| Cons. w/ PFC in A | | | 0.14 | 0.18 | 0.21 | 0.22 | 0.24 | 0.26 | 0.29 | 0.30 | 0.31 | 0.34 | | | |
| COP in W/W | | | 1.65 | 1.91 | 2.22 | 2.33 | 2.57 | 2.96 | 3.39 | 3.69 | 3.84 | 4.30 | | | |

1800 rpm EN 12900 Household/CECOMAF, condensing temperature 35°C (95°F), 220V, 50/60Hz, static cooling

| Evap. temp. in °C | -45 | -40 | -35 | -30 | -25 | -23.3 | -20 | -15 | -10 | -6.7 | -5 | 0 | 5 | 7.2 | 10 |
|--------------------|-----|-----|------|------|------|-------|-------|-------|-------|-------|-------|-------|---|-----|----|
| Capacity in W | | | 49.2 | 64.4 | 82.4 | 89.5 | 105.0 | 132.8 | 165.7 | 189.7 | 202.6 | 241.2 | | | |
| Power cons. in W | | | 30.1 | 33.9 | 37.5 | 38.7 | 41.3 | 45.3 | 49.5 | 52.1 | 53.4 | 56.8 | | | |
| Current cons. in A | | | 0.24 | 0.32 | 0.37 | 0.38 | 0.41 | 0.45 | 0.49 | 0.52 | 0.54 | 0.60 | | | |
| Cons. w/ PFC in A | | | 0.16 | 0.20 | 0.24 | 0.25 | 0.27 | 0.30 | 0.32 | 0.34 | 0.35 | 0.38 | | | |
| COP in W/W | | | 1.64 | 1.90 | 2.20 | 2.31 | 2.54 | 2.93 | 3.35 | 3.64 | 3.79 | 4.25 | | | |

2000 rpm EN 12900 Household/CECOMAF, condensing temperature 35°C (95°F), 220V, 50/60Hz, static cooling

| Evap. temp. in °C | -45 | -40 | -35 | -30 | -25 | -23.3 | -20 | -15 | -10 | -6.7 | -5 | 0 | 5 | 7.2 | 10 |
|--------------------|-----|-----|------|------|------|-------|-------|-------|-------|-------|-------|-------|---|-----|----|
| Capacity in W | | | 54.2 | 70.8 | 90.6 | 98.4 | 115.4 | 145.9 | 182.0 | 208.4 | 222.6 | 265.5 | | | |
| Power cons. in W | | | 33.5 | 37.7 | 41.7 | 43.1 | 45.9 | 50.4 | 55.1 | 58.0 | 59.5 | 63.3 | | | |
| Current cons. in A | | | 0.28 | 0.36 | 0.42 | 0.43 | 0.46 | 0.50 | 0.55 | 0.59 | 0.61 | 0.66 | | | |
| Cons. w/ PFC in A | | | 0.18 | 0.23 | 0.27 | 0.28 | 0.30 | 0.33 | 0.36 | 0.38 | 0.39 | 0.42 | | | |
| COP in W/W | | | 1.62 | 1.88 | 2.17 | 2.28 | 2.51 | 2.89 | 3.30 | 3.59 | 3.74 | 4.19 | | | |

3000 rpm EN 12900 Household/CECOMAF, condensing temperature 35°C (95°F), 220V, 50/60Hz, static cooling

| Evap. temp. in °C | -45 | -40 | -35 | -30 | -25 | -23.3 | -20 | -15 | -10 | -6.7 | -5 | 0 | 5 | 7.2 | 10 |
|--------------------|-----|-----|------|-------|-------|-------|-------|-------|-------|-------|-------|---|---|-----|----|
| Capacity in W | | | 82.2 | 104.8 | 132.8 | 144.0 | 168.5 | 212.7 | 265.3 | 304.1 | 325.1 | | | | |
| Power cons. in W | | | 54.2 | 59.5 | 65.2 | 67.3 | 71.7 | 78.8 | 86.0 | 90.6 | 92.9 | | | | |
| Current cons. in A | | | 0.46 | 0.56 | 0.64 | 0.67 | 0.72 | 0.79 | 0.86 | 0.90 | 0.92 | | | | |
| Cons. w/ PFC in A | | | 0.30 | 0.36 | 0.42 | 0.43 | 0.47 | 0.51 | 0.56 | 0.58 | 0.92 | | | | |
| COP in W/W | | | 1.52 | 1.76 | 2.04 | 2.14 | 2.35 | 2.70 | 3.09 | 3.36 | 3.50 | | | | |

4000 rpm EN 12900 Household/CECOMAF, condensing temperature 35°C (95°F), 220V, 50/60Hz, static cooling

| Evap. temp. in °C | -45 | -40 | -35 | -30 | -25 | -23.3 | -20 | -15 | -10 | -6.7 | -5 | 0 | 5 | 7.2 | 10 |
|--------------------|-----|-----|-------|-------|-------|-------|-------|-------|-------|------|----|---|---|-----|----|
| Capacity in W | | | 106.4 | 131.1 | 164.8 | 178.7 | 209.6 | 266.3 | 334.7 | | | | | | |
| Power cons. in W | | | 72.2 | 77.6 | 84.9 | 87.8 | 93.9 | 104.0 | 114.3 | | | | | | |
| Current cons. in A | | | 0.64 | 0.75 | 0.86 | 0.90 | 0.97 | 1.07 | 1.16 | | | | | | |
| Cons. w/ PFC in A | | | 0.41 | 0.49 | 0.56 | 0.58 | 0.97 | 1.07 | 1.16 | | | | | | |
| COP in W/W | | | 1.47 | 1.69 | 1.94 | 2.03 | 2.23 | 2.56 | 2.93 | | | | | | |

1000 rpm EN 12900 Household/CECOMAF, condensing temperature 45°C (113°F), 220V, 50/60Hz, static cooling

| Evap. temp. in °C | -45 | -40 | -35 | -30 | -25 | -23.3 | -20 | -15 | -10 | -6.7 | -5 | 0 | 5 | 7.2 | 10 |
|--------------------|-----|-----|------|------|------|-------|------|------|------|------|-------|-------|---|-----|----|
| Capacity in W | | | 21.5 | 29.5 | 38.7 | 42.4 | 50.5 | 65.2 | 82.6 | 94.8 | 101.2 | 118.9 | | | |
| Power cons. in W | | | 15.9 | 19.0 | 21.7 | 22.6 | 24.5 | 27.5 | 30.5 | 32.3 | 33.1 | 35.0 | | | |
| Current cons. in A | | | 0.15 | 0.21 | 0.23 | 0.24 | 0.25 | 0.28 | 0.31 | 0.34 | 0.36 | 0.42 | | | |
| Cons. w/ PFC in A | | | 0.10 | 0.13 | 0.15 | 0.16 | 0.17 | 0.19 | 0.21 | 0.22 | 0.23 | 0.27 | | | |
| COP in W/W | | | 1.35 | 1.55 | 1.79 | 1.88 | 2.06 | 2.37 | 2.71 | 2.94 | 3.05 | 3.39 | | | |

1200 rpm EN 12900 Household/CECOMAF, condensing temperature 45°C (113°F), 220V, 50/60Hz, static cooling

| Evap. temp. in °C | -45 | -40 | -35 | -30 | -25 | -23.3 | -20 | -15 | -10 | -6.7 | -5 | 0 | 5 | 7.2 | 10 |
|--------------------|-----|-----|------|------|------|-------|------|------|-------|-------|-------|-------|---|-----|----|
| Capacity in W | | | 27.6 | 37.7 | 49.0 | 53.3 | 62.9 | 80.0 | 100.1 | 114.5 | 122.0 | 143.5 | | | |
| Power cons. in W | | | 20.2 | 24.0 | 27.0 | 28.0 | 30.1 | 33.5 | 36.9 | 39.0 | 40.0 | 42.4 | | | |
| Current cons. in A | | | 0.19 | 0.25 | 0.28 | 0.29 | 0.30 | 0.33 | 0.37 | 0.41 | 0.43 | 0.49 | | | |
| Cons. w/ PFC in A | | | 0.12 | 0.16 | 0.18 | 0.19 | 0.20 | 0.22 | 0.25 | 0.27 | 0.28 | 0.31 | | | |
| COP in W/W | | | 1.37 | 1.57 | 1.81 | 1.90 | 2.09 | 2.39 | 2.72 | 2.94 | 3.05 | 3.38 | | | |

1400 rpm EN 12900 Household/CECOMAF, condensing temperature 45°C (113°F), 220V, 50/60Hz, static cooling

| Evap. temp. in °C | -45 | -40 | -35 | -30 | -25 | -23.3 | -20 | -15 | -10 | -6.7 | -5 | 0 | 5 | 7.2 | 10 |
|--------------------|-----|-----|------|------|------|-------|------|------|-------|-------|-------|-------|---|-----|----|
| Capacity in W | | | 32.3 | 44.5 | 57.8 | 62.9 | 73.9 | 93.6 | 116.6 | 133.1 | 141.8 | 167.1 | | | |
| Power cons. in W | | | 23.5 | 28.0 | 31.6 | 32.9 | 35.3 | 39.1 | 43.1 | 45.5 | 46.7 | 49.7 | | | |
| Current cons. in A | | | 0.22 | 0.29 | 0.33 | 0.34 | 0.36 | 0.39 | 0.44 | 0.47 | 0.49 | 0.56 | | | |
| Cons. w/ PFC in A | | | 0.15 | 0.18 | 0.21 | 0.22 | 0.24 | 0.26 | 0.29 | 0.31 | 0.32 | 0.36 | | | |
| COP in W/W | | | 1.37 | 1.59 | 1.83 | 1.91 | 2.10 | 2.39 | 2.71 | 2.92 | 3.04 | 3.36 | | | |

Cons. w/ PFC in A

1600 rpm EN 12900 Household/CECOMAF, condensing temperature 45°C (113°F), 220V, 50/60Hz, static cooling

| Evap. temp. in °C | -45 | -40 | -35 | -30 | -25 | -23.3 | -20 | -15 | -10 | -6.7 | -5 | 0 | 5 | 7.2 | 10 |
|--------------------|-----|-----|------|------|------|-------|------|-------|-------|-------|-------|-------|---|-----|----|
| Capacity in W | | | 36.1 | 50.3 | 65.6 | 71.5 | 84.1 | 106.4 | 132.4 | 151.2 | 161.1 | 190.2 | | | |
| Power cons. in W | | | 26.4 | 31.7 | 35.9 | 37.4 | 40.2 | 44.7 | 49.2 | 52.1 | 53.5 | 57.1 | | | |
| Current cons. in A | | | 0.26 | 0.32 | 0.37 | 0.38 | 0.41 | 0.45 | 0.50 | 0.54 | 0.56 | 0.62 | | | |
| Cons. w/ PFC in A | | | 0.17 | 0.21 | 0.24 | 0.25 | 0.27 | 0.30 | 0.33 | 0.35 | 0.36 | 0.40 | | | |
| COP in W/W | | | 1.37 | 1.59 | 1.83 | 1.91 | 2.09 | 2.38 | 2.69 | 2.90 | 3.01 | 3.33 | | | |

1800 rpm EN 12900 Household/CECOMAF, condensing temperature 45°C (113°F), 220V, 50/60Hz, static cooling

| Evap. temp. in °C | -45 | -40 | -35 | -30 | -25 | -23.3 | -20 | -15 | -10 | -6.7 | -5 | 0 | 5 | 7.2 | 10 |
|--------------------|-----|-----|------|------|------|-------|------|-------|-------|-------|-------|-------|---|-----|----|
| Capacity in W | | | 39.5 | 55.5 | 72.9 | 79.6 | 93.7 | 118.8 | 147.9 | 168.9 | 180.1 | 213.0 | | | |
| Power cons. in W | | | 29.1 | 35.1 | 40.1 | 41.7 | 45.0 | 50.2 | 55.4 | 58.8 | 60.4 | 64.7 | | | |
| Current cons. in A | | | 0.29 | 0.36 | 0.41 | 0.43 | 0.46 | 0.51 | 0.56 | 0.60 | 0.62 | 0.69 | | | |
| Cons. w/ PFC in A | | | 0.19 | 0.23 | 0.27 | 0.28 | 0.30 | 0.33 | 0.37 | 0.39 | 0.41 | 0.45 | | | |
| COP in W/W | | | 1.36 | 1.58 | 1.82 | 1.91 | 2.08 | 2.37 | 2.67 | 2.87 | 2.98 | 3.29 | | | |

2000 rpm EN 12900 Household/CECOMAF, condensing temperature 45°C (113°F), 220V, 50/60Hz, static cooling

| Evap. temp. in °C | -45 | -40 | -35 | -30 | -25 | -23.3 | -20 | -15 | -10 | -6.7 | -5 | 0 | 5 | 7.2 | 10 |
|--------------------|-----|-----|------|------|------|-------|-------|-------|-------|-------|-------|-------|---|-----|----|
| Capacity in W | | | 42.8 | 60.5 | 80.0 | 87.4 | 103.2 | 131.0 | 163.4 | 186.7 | 199.1 | 235.9 | | | |
| Power cons. in W | | | 31.7 | 38.6 | 44.3 | 46.2 | 50.0 | 55.9 | 61.9 | 65.7 | 67.6 | 72.5 | | | |
| Current cons. in A | | | 0.33 | 0.40 | 0.46 | 0.48 | 0.51 | 0.56 | 0.62 | 0.67 | 0.69 | 0.76 | | | |
| Cons. w/ PFC in A | | | 0.21 | 0.26 | 0.30 | 0.31 | 0.33 | 0.37 | 0.41 | 0.43 | 0.45 | 0.49 | | | |
| COP in W/W | | | 1.35 | 1.57 | 1.81 | 1.89 | 2.07 | 2.34 | 2.64 | 2.84 | 2.95 | 3.25 | | | |

3000 rpm EN 12900 Household/CECOMAF, condensing temperature 45°C (113°F), 220V, 50/60Hz, static cooling

| Evap. temp. in °C | -45 | -40 | -35 | -30 | -25 | -23.3 | -20 | -15 | -10 | -6.7 | -5 | 0 | 5 | 7.2 | 10 |
|--------------------|-----|-----|------|------|-------|-------|-------|-------|-------|-------|-------|---|---|-----|----|
| Capacity in W | | | 63.0 | 87.7 | 116.5 | 127.6 | 151.5 | 193.6 | 242.4 | 277.6 | 296.4 | | | | |
| Power cons. in W | | | 48.9 | 58.5 | 67.5 | 70.7 | 77.0 | 86.9 | 96.7 | 103.1 | 106.2 | | | | |
| Current cons. in A | | | 0.49 | 0.58 | 0.67 | 0.71 | 0.77 | 0.85 | 0.94 | 1.00 | 1.03 | | | | |
| Cons. w/ PFC in A | | | 0.32 | 0.38 | 0.44 | 0.46 | 0.49 | 0.55 | 0.62 | 0.67 | 0.69 | | | | |
| COP in W/W | | | 1.29 | 1.50 | 1.73 | 1.81 | 1.97 | 2.23 | 2.51 | 2.69 | 2.79 | | | | |

4000 rpm EN 12900 Household/CECOMAF, condensing temperature 45°C (113°F), 220V, 50/60Hz, static cooling

| Evap. temp. in °C | -45 | -40 | -35 | -30 | -25 | -23.3 | -20 | -15 | -10 | -6.7 | -5 | 0 | 5 | 7.2 | 10 |
|--------------------|-----|-----|------|-------|-------|-------|-------|-------|-------|------|----|---|---|-----|----|
| Capacity in W | | | 81.9 | 109.7 | 144.9 | 158.9 | 189.5 | 244.2 | 308.2 | | | | | | |
| Power cons. in W | | | 64.5 | 75.2 | 86.8 | 91.1 | 99.6 | 113.3 | 127.0 | | | | | | |
| Current cons. in A | | | 0.65 | 0.76 | 0.88 | 0.93 | 1.02 | 1.14 | 1.26 | | | | | | |
| Cons. w/ PFC in A | | | 0.42 | 0.49 | 0.57 | 0.62 | 0.71 | 0.81 | 0.94 | | | | | | |
| COP in W/W | | | 1.27 | 1.46 | 1.67 | 1.75 | 1.90 | 2.16 | 2.43 | | | | | | |

1000 rpm EN 12900 Household/CECOMAF, condensing temperature 55°C (131°F), 220V, 50/60Hz, static cooling

| | | | | | | | | | | | | | | | |
|--------------------|-----|-----|------|------|------|-------|------|------|------|------|------|-------|---|-----|----|
| Evap. temp. in °C | -45 | -40 | -35 | -30 | -25 | -23.3 | -20 | -15 | -10 | -6.7 | -5 | 0 | 5 | 7.2 | 10 |
| Capacity in W | | | 16.1 | 24.0 | 32.3 | 35.6 | 42.6 | 55.6 | 70.8 | 81.6 | 87.2 | 102.5 | | | |
| Power cons. in W | | | 15.3 | 19.6 | 22.8 | 23.9 | 26.1 | 29.7 | 33.4 | 35.6 | 36.7 | 39.2 | | | |
| Current cons. in A | | | 0.16 | 0.21 | 0.23 | 0.24 | 0.25 | 0.28 | 0.33 | 0.36 | 0.39 | 0.46 | | | |
| Cons. w/ PFC in A | | | 0.10 | 0.13 | 0.15 | 0.16 | 0.17 | 0.19 | 0.22 | 0.24 | 0.25 | 0.29 | | | |
| COP in W/W | | | 1.06 | 1.23 | 1.42 | 1.49 | 1.64 | 1.87 | 2.12 | 2.29 | 2.37 | 2.61 | | | |

1200 rpm EN 12900 Household/CECOMAF, condensing temperature 55°C (131°F), 220V, 50/60Hz, static cooling

| | | | | | | | | | | | | | | | |
|--------------------|-----|-----|------|------|------|-------|------|------|------|------|-------|-------|---|-----|----|
| Evap. temp. in °C | -45 | -40 | -35 | -30 | -25 | -23.3 | -20 | -15 | -10 | -6.7 | -5 | 0 | 5 | 7.2 | 10 |
| Capacity in W | | | 21.0 | 31.0 | 41.3 | 45.2 | 53.6 | 68.7 | 86.4 | 99.0 | 105.6 | 124.2 | | | |
| Power cons. in W | | | 19.7 | 24.8 | 28.5 | 29.7 | 32.2 | 36.2 | 40.4 | 43.1 | 44.4 | 47.6 | | | |
| Current cons. in A | | | 0.19 | 0.24 | 0.28 | 0.29 | 0.31 | 0.34 | 0.39 | 0.44 | 0.46 | 0.54 | | | |
| Cons. w/ PFC in A | | | 0.12 | 0.15 | 0.18 | 0.19 | 0.20 | 0.23 | 0.26 | 0.28 | 0.30 | 0.34 | | | |
| COP in W/W | | | 1.07 | 1.25 | 1.45 | 1.52 | 1.66 | 1.90 | 2.14 | 2.30 | 2.38 | 2.61 | | | |

1400 rpm EN 12900 Household/CECOMAF, condensing temperature 55°C (131°F), 220V, 50/60Hz, static cooling

| | | | | | | | | | | | | | | | |
|--------------------|-----|-----|------|------|------|-------|------|------|-------|-------|-------|-------|---|-----|----|
| Evap. temp. in °C | -45 | -40 | -35 | -30 | -25 | -23.3 | -20 | -15 | -10 | -6.7 | -5 | 0 | 5 | 7.2 | 10 |
| Capacity in W | | | 24.7 | 36.5 | 48.7 | 53.3 | 63.1 | 80.5 | 100.9 | 115.4 | 123.1 | 144.9 | | | |
| Power cons. in W | | | 23.0 | 28.9 | 33.3 | 34.7 | 37.6 | 42.3 | 47.2 | 50.3 | 51.9 | 55.8 | | | |
| Current cons. in A | | | 0.22 | 0.28 | 0.32 | 0.33 | 0.36 | 0.40 | 0.46 | 0.51 | 0.53 | 0.61 | | | |
| Cons. w/ PFC in A | | | 0.14 | 0.18 | 0.21 | 0.22 | 0.24 | 0.27 | 0.30 | 0.33 | 0.34 | 0.39 | | | |
| COP in W/W | | | 1.07 | 1.26 | 1.46 | 1.53 | 1.68 | 1.90 | 2.14 | 2.29 | 2.37 | 2.60 | | | |

1600 rpm EN 12900 Household/CECOMAF, condensing temperature 55°C (131°F), 220V, 50/60Hz, static cooling

| | | | | | | | | | | | | | | | |
|--------------------|-----|-----|------|------|------|-------|------|------|-------|-------|-------|-------|---|-----|----|
| Evap. temp. in °C | -45 | -40 | -35 | -30 | -25 | -23.3 | -20 | -15 | -10 | -6.7 | -5 | 0 | 5 | 7.2 | 10 |
| Capacity in W | | | 27.6 | 41.2 | 55.2 | 60.5 | 71.7 | 91.6 | 114.7 | 131.2 | 139.9 | 165.0 | | | |
| Power cons. in W | | | 25.7 | 32.5 | 37.6 | 39.3 | 42.7 | 48.2 | 53.9 | 57.6 | 59.4 | 64.2 | | | |
| Current cons. in A | | | 0.25 | 0.31 | 0.36 | 0.38 | 0.41 | 0.47 | 0.53 | 0.58 | 0.61 | 0.69 | | | |
| Cons. w/ PFC in A | | | 0.16 | 0.20 | 0.24 | 0.25 | 0.27 | 0.31 | 0.35 | 0.38 | 0.39 | 0.45 | | | |
| COP in W/W | | | 1.07 | 1.27 | 1.47 | 1.54 | 1.68 | 1.90 | 2.13 | 2.28 | 2.36 | 2.57 | | | |

1800 rpm EN 12900 Household/CECOMAF, condensing temperature 55°C (131°F), 220V, 50/60Hz, static cooling

| | | | | | | | | | | | | | | | |
|--------------------|-----|-----|------|------|------|-------|------|-------|-------|-------|-------|-------|---|-----|----|
| Evap. temp. in °C | -45 | -40 | -35 | -30 | -25 | -23.3 | -20 | -15 | -10 | -6.7 | -5 | 0 | 5 | 7.2 | 10 |
| Capacity in W | | | 30.1 | 45.2 | 61.1 | 67.1 | 79.8 | 102.2 | 128.2 | 146.8 | 156.6 | 185.0 | | | |
| Power cons. in W | | | 28.1 | 35.8 | 41.7 | 43.7 | 47.7 | 54.1 | 60.7 | 65.0 | 67.1 | 72.7 | | | |
| Current cons. in A | | | 0.28 | 0.35 | 0.41 | 0.43 | 0.46 | 0.53 | 0.60 | 0.65 | 0.68 | 0.77 | | | |
| Cons. w/ PFC in A | | | 0.18 | 0.23 | 0.27 | 0.28 | 0.31 | 0.35 | 0.39 | 0.42 | 0.44 | 0.50 | | | |
| COP in W/W | | | 1.07 | 1.27 | 1.47 | 1.53 | 1.67 | 1.89 | 2.11 | 2.26 | 2.33 | 2.54 | | | |

2000 rpm EN 12900 Household/CECOMAF, condensing temperature 55°C (131°F), 220V, 50/60Hz, static cooling

| | | | | | | | | | | | | | | | |
|--------------------|-----|-----|------|------|------|-------|------|-------|-------|-------|-------|-------|---|-----|----|
| Evap. temp. in °C | -45 | -40 | -35 | -30 | -25 | -23.3 | -20 | -15 | -10 | -6.7 | -5 | 0 | 5 | 7.2 | 10 |
| Capacity in W | | | 32.5 | 49.1 | 66.8 | 73.5 | 87.6 | 112.6 | 141.6 | 162.2 | 173.2 | 205.0 | | | |
| Power cons. in W | | | 30.6 | 39.0 | 45.9 | 48.2 | 52.8 | 60.1 | 67.7 | 72.6 | 75.1 | 81.6 | | | |
| Current cons. in A | | | 0.32 | 0.38 | 0.45 | 0.47 | 0.52 | 0.59 | 0.67 | 0.72 | 0.75 | 0.85 | | | |
| Cons. w/ PFC in A | | | 0.21 | 0.25 | 0.29 | 0.31 | 0.34 | 0.38 | 0.43 | 0.47 | 0.49 | 0.55 | | | |
| COP in W/W | | | 1.06 | 1.26 | 1.46 | 1.53 | 1.66 | 1.87 | 2.09 | 2.23 | 2.31 | 2.51 | | | |

3000 rpm EN 12900 Household/CECOMAF, condensing temperature 55°C (131°F), 220V, 50/60Hz, static cooling

| | | | | | | | | | | | | | | | |
|--------------------|-----|-----|------|------|------|-------|-------|-------|-------|-------|-------|---|---|-----|----|
| Evap. temp. in °C | -45 | -40 | -35 | -30 | -25 | -23.3 | -20 | -15 | -10 | -6.7 | -5 | 0 | 5 | 7.2 | 10 |
| Capacity in W | | | 49.4 | 71.3 | 97.1 | 107.1 | 128.6 | 166.7 | 210.7 | 242.0 | 258.6 | | | | |
| Power cons. in W | | | 47.4 | 58.8 | 69.7 | 73.6 | 81.3 | 93.6 | 106.1 | 114.2 | 118.2 | | | | |
| Current cons. in A | | | 0.48 | 0.56 | 0.67 | 0.70 | 0.78 | 0.90 | 1.01 | 1.09 | 1.13 | | | | |
| Cons. w/ PFC in A | | | 0.31 | 0.37 | 0.44 | 0.46 | 0.51 | 0.89 | 1.01 | 1.09 | 1.13 | | | | |
| COP in W/W | | | 1.04 | 1.21 | 1.39 | 1.46 | 1.58 | 1.78 | 1.99 | 2.12 | 2.19 | | | | |

4000 rpm EN 12900 Household/CECOMAF, condensing temperature 55°C (131°F), 220V, 50/60Hz, static cooling

| | | | | | | | | | | | | | | | |
|--------------------|-----|-----|------|------|-------|-------|-------|-------|-------|------|----|---|---|-----|----|
| Evap. temp. in °C | -45 | -40 | -35 | -30 | -25 | -23.3 | -20 | -15 | -10 | -6.7 | -5 | 0 | 5 | 7.2 | 10 |
| Capacity in W | | | 65.1 | 90.4 | 121.9 | 134.5 | 161.9 | 210.8 | 267.8 | | | | | | |
| Power cons. in W | | | 63.6 | 77.1 | 91.0 | 96.0 | 106.1 | 122.1 | 138.5 | | | | | | |
| Current cons. in A | | | 0.63 | 0.74 | 0.88 | 0.93 | 1.04 | 1.20 | 1.36 | | | | | | |
| Cons. w/ PFC in A | | | 0.41 | 0.49 | 0.89 | 0.94 | 1.03 | 1.19 | 1.35 | | | | | | |
| COP in W/W | | | 1.02 | 1.17 | 1.34 | 1.40 | 1.53 | 1.73 | 1.93 | | | | | | |

1000 rpm ASHRAE LBP, condensing temperature 35°C (95°F), 220V, 50/60Hz, static cooling

| Evap. temp. in °C | -45 | -40 | -35 | -30 | -25 | -23.3 | -20 | -15 | -10 | -6.7 | -5 | 0 | 5 | 7.2 | 10 |
|--------------------|-----|-----|------|------|------|-------|------|------|------|-------|-------|-------|---|-----|----|
| Capacity in W | | | 25.3 | 34.1 | 45.3 | 49.8 | 59.8 | 78.1 | 99.4 | 114.4 | 122.3 | 144.4 | | | |
| Power cons. in W | | | 15.0 | 17.5 | 20.0 | 20.8 | 22.6 | 25.4 | 28.1 | 29.6 | 30.3 | 31.9 | | | |
| Current cons. in A | | | 0.09 | 0.16 | 0.18 | 0.19 | 0.20 | 0.22 | 0.25 | 0.28 | 0.30 | 0.35 | | | |
| Cons. w/ PFC in A | | | 0.06 | 0.10 | 0.12 | 0.13 | 0.14 | 0.15 | 0.17 | 0.18 | 0.19 | 0.22 | | | |
| COP in W/W | | | 1.69 | 1.95 | 2.27 | 2.39 | 2.65 | 3.08 | 3.54 | 3.86 | 4.03 | 4.52 | | | |

1200 rpm ASHRAE LBP, condensing temperature 35°C (95°F), 220V, 50/60Hz, static cooling

| Evap. temp. in °C | -45 | -40 | -35 | -30 | -25 | -23.3 | -20 | -15 | -10 | -6.7 | -5 | 0 | 5 | 7.2 | 10 |
|--------------------|-----|-----|------|------|------|-------|------|------|-------|-------|-------|-------|---|-----|----|
| Capacity in W | | | 33.1 | 43.7 | 56.6 | 61.8 | 73.2 | 93.8 | 118.1 | 135.4 | 144.6 | 171.0 | | | |
| Power cons. in W | | | 19.5 | 22.2 | 24.8 | 25.7 | 27.6 | 30.5 | 33.4 | 35.2 | 36.0 | 38.0 | | | |
| Current cons. in A | | | 0.13 | 0.20 | 0.23 | 0.24 | 0.25 | 0.28 | 0.31 | 0.34 | 0.36 | 0.41 | | | |
| Cons. w/ PFC in A | | | 0.09 | 0.12 | 0.15 | 0.16 | 0.17 | 0.19 | 0.21 | 0.22 | 0.23 | 0.26 | | | |
| COP in W/W | | | 1.70 | 1.96 | 2.28 | 2.40 | 2.65 | 3.07 | 3.53 | 3.85 | 4.01 | 4.50 | | | |

1400 rpm ASHRAE LBP, condensing temperature 35°C (95°F), 220V, 50/60Hz, static cooling

| Evap. temp. in °C | -45 | -40 | -35 | -30 | -25 | -23.3 | -20 | -15 | -10 | -6.7 | -5 | 0 | 5 | 7.2 | 10 |
|--------------------|-----|-----|------|------|------|-------|------|-------|-------|-------|-------|-------|---|-----|----|
| Capacity in W | | | 39.6 | 51.8 | 66.6 | 72.4 | 85.3 | 108.4 | 135.7 | 155.4 | 165.9 | 196.6 | | | |
| Power cons. in W | | | 23.3 | 26.4 | 29.2 | 30.2 | 32.2 | 35.5 | 38.7 | 40.8 | 41.7 | 44.1 | | | |
| Current cons. in A | | | 0.17 | 0.24 | 0.28 | 0.29 | 0.31 | 0.33 | 0.37 | 0.40 | 0.42 | 0.47 | | | |
| Cons. w/ PFC in A | | | 0.11 | 0.15 | 0.18 | 0.19 | 0.21 | 0.23 | 0.25 | 0.26 | 0.27 | 0.30 | | | |
| COP in W/W | | | 1.70 | 1.97 | 2.28 | 2.40 | 2.65 | 3.06 | 3.50 | 3.81 | 3.98 | 4.45 | | | |

1600 rpm ASHRAE LBP, condensing temperature 35°C (95°F), 220V, 50/60Hz, static cooling

| Evap. temp. in °C | -45 | -40 | -35 | -30 | -25 | -23.3 | -20 | -15 | -10 | -6.7 | -5 | 0 | 5 | 7.2 | 10 |
|--------------------|-----|-----|------|------|------|-------|------|-------|-------|-------|-------|-------|---|-----|----|
| Capacity in W | | | 45.2 | 59.1 | 75.6 | 82.2 | 96.5 | 122.3 | 152.7 | 174.8 | 186.6 | 221.7 | | | |
| Power cons. in W | | | 26.7 | 30.2 | 33.3 | 34.4 | 36.7 | 40.3 | 44.0 | 46.3 | 47.5 | 50.3 | | | |
| Current cons. in A | | | 0.21 | 0.28 | 0.33 | 0.34 | 0.36 | 0.39 | 0.43 | 0.46 | 0.48 | 0.53 | | | |
| Cons. w/ PFC in A | | | 0.14 | 0.18 | 0.21 | 0.22 | 0.24 | 0.26 | 0.29 | 0.30 | 0.31 | 0.34 | | | |
| COP in W/W | | | 1.69 | 1.96 | 2.27 | 2.39 | 2.63 | 3.03 | 3.47 | 3.77 | 3.93 | 4.40 | | | |

1800 rpm ASHRAE LBP, condensing temperature 35°C (95°F), 220V, 50/60Hz, static cooling

| Evap. temp. in °C | -45 | -40 | -35 | -30 | -25 | -23.3 | -20 | -15 | -10 | -6.7 | -5 | 0 | 5 | 7.2 | 10 |
|--------------------|-----|-----|------|------|------|-------|-------|-------|-------|-------|-------|-------|---|-----|----|
| Capacity in W | | | 50.3 | 65.8 | 84.2 | 91.5 | 107.3 | 135.7 | 169.4 | 193.9 | 207.1 | 246.5 | | | |
| Power cons. in W | | | 30.1 | 33.9 | 37.4 | 38.7 | 41.2 | 45.3 | 49.4 | 52.1 | 53.3 | 56.7 | | | |
| Current cons. in A | | | 0.24 | 0.32 | 0.37 | 0.38 | 0.41 | 0.45 | 0.49 | 0.52 | 0.54 | 0.60 | | | |
| Cons. w/ PFC in A | | | 0.16 | 0.20 | 0.24 | 0.25 | 0.27 | 0.30 | 0.32 | 0.34 | 0.35 | 0.38 | | | |
| COP in W/W | | | 1.67 | 1.94 | 2.25 | 2.36 | 2.60 | 3.00 | 3.43 | 3.72 | 3.88 | 4.35 | | | |

2000 rpm ASHRAE LBP, condensing temperature 35°C (95°F), 220V, 50/60Hz, static cooling

| Evap. temp. in °C | -45 | -40 | -35 | -30 | -25 | -23.3 | -20 | -15 | -10 | -6.7 | -5 | 0 | 5 | 7.2 | 10 |
|--------------------|-----|-----|------|------|------|-------|-------|-------|-------|-------|-------|-------|---|-----|----|
| Capacity in W | | | 55.4 | 72.3 | 92.6 | 100.6 | 117.9 | 149.1 | 186.0 | 213.0 | 227.5 | 271.4 | | | |
| Power cons. in W | | | 33.5 | 37.7 | 41.6 | 43.0 | 45.9 | 50.4 | 55.0 | 58.0 | 59.4 | 63.3 | | | |
| Current cons. in A | | | 0.28 | 0.36 | 0.42 | 0.43 | 0.46 | 0.50 | 0.55 | 0.59 | 0.60 | 0.66 | | | |
| Cons. w/ PFC in A | | | 0.18 | 0.23 | 0.27 | 0.28 | 0.30 | 0.33 | 0.36 | 0.38 | 0.39 | 0.42 | | | |
| COP in W/W | | | 1.65 | 1.92 | 2.22 | 2.34 | 2.57 | 2.96 | 3.38 | 3.67 | 3.83 | 4.29 | | | |

3000 rpm ASHRAE LBP, condensing temperature 35°C (95°F), 220V, 50/60Hz, static cooling

| Evap. temp. in °C | -45 | -40 | -35 | -30 | -25 | -23.3 | -20 | -15 | -10 | -6.7 | -5 | 0 | 5 | 7.2 | 10 |
|--------------------|-----|-----|------|-------|-------|-------|-------|-------|-------|-------|-------|---|---|-----|----|
| Capacity in W | | | 84.0 | 107.1 | 135.8 | 147.2 | 172.2 | 217.4 | 271.2 | 310.8 | 332.3 | | | | |
| Power cons. in W | | | 54.2 | 59.4 | 65.1 | 67.3 | 71.6 | 78.7 | 85.9 | 90.6 | 92.8 | | | | |
| Current cons. in A | | | 0.46 | 0.56 | 0.64 | 0.67 | 0.72 | 0.79 | 0.86 | 0.90 | 0.92 | | | | |
| Cons. w/ PFC in A | | | 0.30 | 0.36 | 0.42 | 0.43 | 0.47 | 0.51 | 0.56 | 0.58 | 0.62 | | | | |
| COP in W/W | | | 1.55 | 1.80 | 2.08 | 2.19 | 2.40 | 2.76 | 3.16 | 3.43 | 3.58 | | | | |

4000 rpm ASHRAE LBP, condensing temperature 35°C (95°F), 220V, 50/60Hz, static cooling

| Evap. temp. in °C | -45 | -40 | -35 | -30 | -25 | -23.3 | -20 | -15 | -10 | -6.7 | -5 | 0 | 5 | 7.2 | 10 |
|--------------------|-----|-----|-------|-------|-------|-------|-------|-------|-------|------|----|---|---|-----|----|
| Capacity in W | | | 108.8 | 134.0 | 168.4 | 182.6 | 214.2 | 272.2 | 342.1 | | | | | | |
| Power cons. in W | | | 72.2 | 77.5 | 84.8 | 87.8 | 93.9 | 103.9 | 114.2 | | | | | | |
| Current cons. in A | | | 0.64 | 0.75 | 0.86 | 0.90 | 0.97 | 1.07 | 1.15 | | | | | | |
| Cons. w/ PFC in A | | | 0.41 | 0.49 | 0.56 | 0.58 | 0.62 | 0.67 | 0.71 | | | | | | |
| COP in W/W | | | 1.51 | 1.73 | 1.98 | 2.08 | 2.28 | 2.62 | 2.99 | | | | | | |

1000 rpm ASHRAE LBP, condensing temperature 45°C (113°F), 220V, 50/60Hz, static cooling

| | | | | | | | | | | | | | | | |
|--------------------|-----|-----|------|------|------|-------|------|------|------|-------|-------|-------|---|-----|----|
| Evap. temp. in °C | -45 | -40 | -35 | -30 | -25 | -23.3 | -20 | -15 | -10 | -6.7 | -5 | 0 | 5 | 7.2 | 10 |
| Capacity in W | | | 23.8 | 32.7 | 42.9 | 47.0 | 56.0 | 72.4 | 91.6 | 105.2 | 112.3 | 132.0 | | | |
| Power cons. in W | | | 15.9 | 19.0 | 21.6 | 22.6 | 24.4 | 27.5 | 30.5 | 32.3 | 33.1 | 35.0 | | | |
| Current cons. in A | | | 0.15 | 0.21 | 0.23 | 0.24 | 0.25 | 0.28 | 0.31 | 0.34 | 0.36 | 0.42 | | | |
| Cons. w/ PFC in A | | | 0.10 | 0.13 | 0.15 | 0.16 | 0.17 | 0.19 | 0.21 | 0.22 | 0.23 | 0.27 | | | |
| COP in W/W | | | 1.50 | 1.72 | 1.98 | 2.08 | 2.29 | 2.64 | 3.01 | 3.26 | 3.39 | 3.77 | | | |

1200 rpm ASHRAE LBP, condensing temperature 45°C (113°F), 220V, 50/60Hz, static cooling

| | | | | | | | | | | | | | | | |
|--------------------|-----|-----|------|------|------|-------|------|------|-------|-------|-------|-------|---|-----|----|
| Evap. temp. in °C | -45 | -40 | -35 | -30 | -25 | -23.3 | -20 | -15 | -10 | -6.7 | -5 | 0 | 5 | 7.2 | 10 |
| Capacity in W | | | 30.6 | 41.8 | 54.3 | 59.2 | 69.7 | 88.8 | 111.1 | 127.1 | 135.4 | 159.3 | | | |
| Power cons. in W | | | 20.1 | 23.9 | 27.0 | 28.0 | 30.1 | 33.5 | 36.9 | 39.0 | 40.0 | 42.4 | | | |
| Current cons. in A | | | 0.19 | 0.25 | 0.28 | 0.29 | 0.30 | 0.33 | 0.37 | 0.41 | 0.43 | 0.49 | | | |
| Cons. w/ PFC in A | | | 0.12 | 0.16 | 0.18 | 0.19 | 0.20 | 0.22 | 0.25 | 0.27 | 0.28 | 0.31 | | | |
| COP in W/W | | | 1.52 | 1.75 | 2.01 | 2.11 | 2.32 | 2.65 | 3.02 | 3.26 | 3.39 | 3.76 | | | |

1400 rpm ASHRAE LBP, condensing temperature 45°C (113°F), 220V, 50/60Hz, static cooling

| | | | | | | | | | | | | | | | |
|--------------------|-----|-----|------|------|------|-------|------|-------|-------|-------|-------|-------|---|-----|----|
| Evap. temp. in °C | -45 | -40 | -35 | -30 | -25 | -23.3 | -20 | -15 | -10 | -6.7 | -5 | 0 | 5 | 7.2 | 10 |
| Capacity in W | | | 35.8 | 49.3 | 64.1 | 69.8 | 82.0 | 103.9 | 129.4 | 147.8 | 157.4 | 185.5 | | | |
| Power cons. in W | | | 23.5 | 28.0 | 31.6 | 32.8 | 35.3 | 39.1 | 43.0 | 45.5 | 46.7 | 49.7 | | | |
| Current cons. in A | | | 0.22 | 0.29 | 0.32 | 0.34 | 0.36 | 0.39 | 0.44 | 0.47 | 0.49 | 0.55 | | | |
| Cons. w/ PFC in A | | | 0.15 | 0.18 | 0.21 | 0.22 | 0.24 | 0.26 | 0.29 | 0.31 | 0.32 | 0.36 | | | |
| COP in W/W | | | 1.52 | 1.76 | 2.03 | 2.12 | 2.33 | 2.66 | 3.01 | 3.25 | 3.37 | 3.73 | | | |

1600 rpm ASHRAE LBP, condensing temperature 45°C (113°F), 220V, 50/60Hz, static cooling

| | | | | | | | | | | | | | | | |
|--------------------|-----|-----|------|------|------|-------|------|-------|-------|-------|-------|-------|---|-----|----|
| Evap. temp. in °C | -45 | -40 | -35 | -30 | -25 | -23.3 | -20 | -15 | -10 | -6.7 | -5 | 0 | 5 | 7.2 | 10 |
| Capacity in W | | | 40.0 | 55.7 | 72.8 | 79.3 | 93.3 | 118.0 | 147.0 | 167.8 | 178.8 | 211.1 | | | |
| Power cons. in W | | | 26.4 | 31.7 | 35.9 | 37.3 | 40.2 | 44.6 | 49.2 | 52.0 | 53.4 | 57.1 | | | |
| Current cons. in A | | | 0.26 | 0.32 | 0.37 | 0.38 | 0.41 | 0.45 | 0.50 | 0.54 | 0.56 | 0.62 | | | |
| Cons. w/ PFC in A | | | 0.17 | 0.21 | 0.24 | 0.25 | 0.27 | 0.30 | 0.33 | 0.35 | 0.36 | 0.40 | | | |
| COP in W/W | | | 1.52 | 1.76 | 2.03 | 2.12 | 2.32 | 2.65 | 2.99 | 3.22 | 3.35 | 3.70 | | | |

1800 rpm ASHRAE LBP, condensing temperature 45°C (113°F), 220V, 50/60Hz, static cooling

| | | | | | | | | | | | | | | | |
|--------------------|-----|-----|------|------|------|-------|-------|-------|-------|-------|-------|-------|---|-----|----|
| Evap. temp. in °C | -45 | -40 | -35 | -30 | -25 | -23.3 | -20 | -15 | -10 | -6.7 | -5 | 0 | 5 | 7.2 | 10 |
| Capacity in W | | | 43.8 | 61.6 | 80.9 | 88.3 | 104.0 | 131.8 | 164.2 | 187.5 | 199.9 | 236.5 | | | |
| Power cons. in W | | | 29.0 | 35.1 | 40.1 | 41.7 | 45.0 | 50.2 | 55.4 | 58.7 | 60.4 | 64.7 | | | |
| Current cons. in A | | | 0.29 | 0.36 | 0.41 | 0.43 | 0.46 | 0.51 | 0.56 | 0.60 | 0.62 | 0.69 | | | |
| Cons. w/ PFC in A | | | 0.19 | 0.23 | 0.27 | 0.28 | 0.30 | 0.33 | 0.37 | 0.39 | 0.41 | 0.45 | | | |
| COP in W/W | | | 1.51 | 1.75 | 2.02 | 2.12 | 2.31 | 2.63 | 2.96 | 3.19 | 3.31 | 3.66 | | | |

2000 rpm ASHRAE LBP, condensing temperature 45°C (113°F), 220V, 50/60Hz, static cooling

| | | | | | | | | | | | | | | | |
|--------------------|-----|-----|------|------|------|-------|-------|-------|-------|-------|-------|-------|---|-----|----|
| Evap. temp. in °C | -45 | -40 | -35 | -30 | -25 | -23.3 | -20 | -15 | -10 | -6.7 | -5 | 0 | 5 | 7.2 | 10 |
| Capacity in W | | | 47.4 | 67.1 | 88.7 | 96.9 | 114.4 | 145.3 | 181.3 | 207.2 | 221.0 | 261.9 | | | |
| Power cons. in W | | | 31.7 | 38.5 | 44.2 | 46.1 | 49.9 | 55.8 | 61.8 | 65.6 | 67.5 | 72.5 | | | |
| Current cons. in A | | | 0.33 | 0.40 | 0.46 | 0.48 | 0.51 | 0.56 | 0.62 | 0.67 | 0.69 | 0.76 | | | |
| Cons. w/ PFC in A | | | 0.21 | 0.26 | 0.30 | 0.31 | 0.33 | 0.37 | 0.41 | 0.43 | 0.45 | 0.49 | | | |
| COP in W/W | | | 1.50 | 1.74 | 2.01 | 2.10 | 2.29 | 2.60 | 2.93 | 3.16 | 3.27 | 3.61 | | | |

3000 rpm ASHRAE LBP, condensing temperature 45°C (113°F), 220V, 50/60Hz, static cooling

| | | | | | | | | | | | | | | | |
|--------------------|-----|-----|------|------|-------|-------|-------|-------|-------|-------|-------|---|---|-----|----|
| Evap. temp. in °C | -45 | -40 | -35 | -30 | -25 | -23.3 | -20 | -15 | -10 | -6.7 | -5 | 0 | 5 | 7.2 | 10 |
| Capacity in W | | | 69.9 | 97.3 | 129.2 | 141.6 | 168.1 | 214.8 | 269.0 | 308.1 | 329.0 | | | | |
| Power cons. in W | | | 48.9 | 58.4 | 67.5 | 70.6 | 76.9 | 86.8 | 96.7 | 103.0 | 106.1 | | | | |
| Current cons. in A | | | 0.49 | 0.58 | 0.67 | 0.70 | 0.76 | 0.85 | 0.94 | 1.00 | 1.03 | | | | |
| Cons. w/ PFC in A | | | 0.32 | 0.38 | 0.44 | 0.46 | 0.49 | 0.55 | 0.61 | 0.64 | 0.66 | | | | |
| COP in W/W | | | 1.43 | 1.67 | 1.91 | 2.00 | 2.18 | 2.47 | 2.78 | 2.99 | 3.10 | | | | |

4000 rpm ASHRAE LBP, condensing temperature 45°C (113°F), 220V, 50/60Hz, static cooling

| | | | | | | | | | | | | | | | |
|--------------------|-----|-----|------|-------|-------|-------|-------|-------|-------|------|----|---|---|-----|----|
| Evap. temp. in °C | -45 | -40 | -35 | -30 | -25 | -23.3 | -20 | -15 | -10 | -6.7 | -5 | 0 | 5 | 7.2 | 10 |
| Capacity in W | | | 90.8 | 121.6 | 160.7 | 176.3 | 210.2 | 270.9 | 342.0 | | | | | | |
| Power cons. in W | | | 64.5 | 75.2 | 86.8 | 91.0 | 99.6 | 113.2 | 126.9 | | | | | | |
| Current cons. in A | | | 0.65 | 0.76 | 0.88 | 0.93 | 1.01 | 1.14 | 1.25 | | | | | | |
| Cons. w/ PFC in A | | | 0.42 | 0.49 | 0.57 | 0.62 | 0.67 | 0.75 | 0.81 | | | | | | |
| COP in W/W | | | 1.41 | 1.62 | 1.85 | 1.94 | 2.11 | 2.39 | 2.69 | | | | | | |

1000 rpm ASHRAE LBP, condensing temperature 55°C (131°F), 220V, 50/60Hz, static cooling

| Evap. temp. in °C | -45 | -40 | -35 | -30 | -25 | -23.3 | -20 | -15 | -10 | -6.7 | -5 | 0 | 5 | 7.2 | 10 |
|--------------------|-----|-----|------|------|------|-------|------|------|------|------|-------|-------|---|-----|----|
| Capacity in W | | | 19.6 | 29.2 | 39.3 | 43.2 | 51.8 | 67.6 | 86.1 | 99.3 | 106.1 | 124.8 | | | |
| Power cons. in W | | | 15.3 | 19.6 | 22.8 | 23.8 | 26.0 | 29.6 | 33.3 | 35.6 | 36.7 | 39.2 | | | |
| Current cons. in A | | | 0.16 | 0.21 | 0.23 | 0.24 | 0.25 | 0.28 | 0.33 | 0.36 | 0.39 | 0.46 | | | |
| Cons. w/ PFC in A | | | 0.10 | 0.13 | 0.15 | 0.16 | 0.17 | 0.19 | 0.22 | 0.24 | 0.25 | 0.29 | | | |
| COP in W/W | | | 1.28 | 1.49 | 1.72 | 1.81 | 1.99 | 2.28 | 2.58 | 2.79 | 2.89 | 3.18 | | | |

1200 rpm ASHRAE LBP, condensing temperature 55°C (131°F), 220V, 50/60Hz, static cooling

| Evap. temp. in °C | -45 | -40 | -35 | -30 | -25 | -23.3 | -20 | -15 | -10 | -6.7 | -5 | 0 | 5 | 7.2 | 10 |
|--------------------|-----|-----|------|------|------|-------|------|------|-------|-------|-------|-------|---|-----|----|
| Capacity in W | | | 25.6 | 37.7 | 50.1 | 54.9 | 65.1 | 83.5 | 105.1 | 120.5 | 128.6 | 151.2 | | | |
| Power cons. in W | | | 19.7 | 24.8 | 28.5 | 29.7 | 32.2 | 36.2 | 40.4 | 43.1 | 44.3 | 47.5 | | | |
| Current cons. in A | | | 0.19 | 0.24 | 0.28 | 0.29 | 0.31 | 0.34 | 0.39 | 0.44 | 0.46 | 0.54 | | | |
| Cons. w/ PFC in A | | | 0.12 | 0.15 | 0.18 | 0.19 | 0.20 | 0.23 | 0.26 | 0.28 | 0.30 | 0.34 | | | |
| COP in W/W | | | 1.30 | 1.52 | 1.76 | 1.85 | 2.02 | 2.31 | 2.60 | 2.80 | 2.90 | 3.18 | | | |

1400 rpm ASHRAE LBP, condensing temperature 55°C (131°F), 220V, 50/60Hz, static cooling

| Evap. temp. in °C | -45 | -40 | -35 | -30 | -25 | -23.3 | -20 | -15 | -10 | -6.7 | -5 | 0 | 5 | 7.2 | 10 |
|--------------------|-----|-----|------|------|------|-------|------|------|-------|-------|-------|-------|---|-----|----|
| Capacity in W | | | 30.0 | 44.4 | 59.2 | 64.8 | 76.7 | 97.9 | 122.8 | 140.5 | 149.8 | 176.4 | | | |
| Power cons. in W | | | 23.0 | 28.9 | 33.3 | 34.7 | 37.6 | 42.3 | 47.2 | 50.3 | 51.8 | 55.8 | | | |
| Current cons. in A | | | 0.22 | 0.28 | 0.32 | 0.33 | 0.36 | 0.40 | 0.46 | 0.51 | 0.53 | 0.61 | | | |
| Cons. w/ PFC in A | | | 0.14 | 0.18 | 0.21 | 0.22 | 0.24 | 0.27 | 0.30 | 0.33 | 0.34 | 0.39 | | | |
| COP in W/W | | | 1.30 | 1.54 | 1.78 | 1.87 | 2.04 | 2.32 | 2.60 | 2.79 | 2.89 | 3.16 | | | |

1600 rpm ASHRAE LBP, condensing temperature 55°C (131°F), 220V, 50/60Hz, static cooling

| Evap. temp. in °C | -45 | -40 | -35 | -30 | -25 | -23.3 | -20 | -15 | -10 | -6.7 | -5 | 0 | 5 | 7.2 | 10 |
|--------------------|-----|-----|------|------|------|-------|------|-------|-------|-------|-------|-------|---|-----|----|
| Capacity in W | | | 33.5 | 50.0 | 67.1 | 73.5 | 87.2 | 111.4 | 139.5 | 159.7 | 170.3 | 201.0 | | | |
| Power cons. in W | | | 25.7 | 32.4 | 37.6 | 39.3 | 42.7 | 48.1 | 53.8 | 57.5 | 59.3 | 64.1 | | | |
| Current cons. in A | | | 0.25 | 0.31 | 0.36 | 0.38 | 0.41 | 0.47 | 0.53 | 0.58 | 0.61 | 0.69 | | | |
| Cons. w/ PFC in A | | | 0.16 | 0.20 | 0.24 | 0.25 | 0.27 | 0.31 | 0.35 | 0.38 | 0.39 | 0.45 | | | |
| COP in W/W | | | 1.30 | 1.54 | 1.79 | 1.87 | 2.04 | 2.31 | 2.59 | 2.78 | 2.87 | 3.14 | | | |

1800 rpm ASHRAE LBP, condensing temperature 55°C (131°F), 220V, 50/60Hz, static cooling

| Evap. temp. in °C | -45 | -40 | -35 | -30 | -25 | -23.3 | -20 | -15 | -10 | -6.7 | -5 | 0 | 5 | 7.2 | 10 |
|--------------------|-----|-----|------|------|------|-------|------|-------|-------|-------|-------|-------|---|-----|----|
| Capacity in W | | | 36.5 | 55.0 | 74.3 | 81.5 | 97.0 | 124.2 | 155.9 | 178.6 | 190.5 | 225.3 | | | |
| Power cons. in W | | | 28.1 | 35.7 | 41.7 | 43.7 | 47.7 | 54.0 | 60.6 | 64.9 | 67.0 | 72.7 | | | |
| Current cons. in A | | | 0.28 | 0.35 | 0.41 | 0.43 | 0.46 | 0.53 | 0.60 | 0.65 | 0.68 | 0.77 | | | |
| Cons. w/ PFC in A | | | 0.18 | 0.23 | 0.27 | 0.28 | 0.31 | 0.35 | 0.39 | 0.42 | 0.44 | 0.50 | | | |
| COP in W/W | | | 1.30 | 1.54 | 1.78 | 1.87 | 2.04 | 2.30 | 2.57 | 2.75 | 2.84 | 3.10 | | | |

2000 rpm ASHRAE LBP, condensing temperature 55°C (131°F), 220V, 50/60Hz, static cooling

| Evap. temp. in °C | -45 | -40 | -35 | -30 | -25 | -23.3 | -20 | -15 | -10 | -6.7 | -5 | 0 | 5 | 7.2 | 10 |
|--------------------|-----|-----|------|------|------|-------|-------|-------|-------|-------|-------|-------|---|-----|----|
| Capacity in W | | | 39.5 | 59.7 | 81.2 | 89.3 | 106.5 | 136.9 | 172.2 | 197.4 | 210.8 | 249.6 | | | |
| Power cons. in W | | | 30.6 | 39.0 | 45.8 | 48.1 | 52.7 | 60.1 | 67.7 | 72.6 | 75.0 | 81.5 | | | |
| Current cons. in A | | | 0.32 | 0.38 | 0.45 | 0.47 | 0.52 | 0.59 | 0.67 | 0.72 | 0.75 | 0.85 | | | |
| Cons. w/ PFC in A | | | 0.21 | 0.25 | 0.29 | 0.31 | 0.34 | 0.38 | 0.43 | 0.47 | 0.49 | 0.55 | | | |
| COP in W/W | | | 1.29 | 1.53 | 1.77 | 1.86 | 2.02 | 2.28 | 2.55 | 2.72 | 2.81 | 3.06 | | | |

3000 rpm ASHRAE LBP, condensing temperature 55°C (131°F), 220V, 50/60Hz, static cooling

| Evap. temp. in °C | -45 | -40 | -35 | -30 | -25 | -23.3 | -20 | -15 | -10 | -6.7 | -5 | 0 | 5 | 7.2 | 10 |
|--------------------|-----|-----|------|------|-------|-------|-------|-------|-------|-------|-------|---|---|-----|----|
| Capacity in W | | | 59.9 | 86.7 | 118.0 | 130.1 | 156.3 | 202.7 | 256.3 | 294.6 | 314.8 | | | | |
| Power cons. in W | | | 47.4 | 58.8 | 69.7 | 73.5 | 81.2 | 93.5 | 106.0 | 114.1 | 118.1 | | | | |
| Cons. w/ PFC in A | | | 0.31 | 0.37 | 0.44 | 0.46 | 0.51 | 0.89 | 1.01 | 1.09 | 1.13 | | | | |
| Current cons. in A | | | 0.48 | 0.56 | 0.66 | 0.70 | 0.78 | 0.89 | 1.01 | 1.09 | 1.13 | | | | |
| COP in W/W | | | 1.26 | 1.47 | 1.69 | 1.77 | 1.92 | 2.17 | 2.42 | 2.58 | 2.67 | | | | |

4000 rpm ASHRAE LBP, condensing temperature 55°C (131°F), 220V, 50/60Hz, static cooling

| Evap. temp. in °C | -45 | -40 | -35 | -30 | -25 | -23.3 | -20 | -15 | -10 | -6.7 | -5 | 0 | 5 | 7.2 | 10 |
|--------------------|-----|-----|------|-------|-------|-------|-------|-------|-------|------|----|---|---|-----|----|
| Capacity in W | | | 79.1 | 109.8 | 148.1 | 163.4 | 196.8 | 256.4 | 325.8 | | | | | | |
| Power cons. in W | | | 63.5 | 77.1 | 91.0 | 96.0 | 106.0 | 122.0 | 138.4 | | | | | | |
| Current cons. in A | | | 0.63 | 0.74 | 0.88 | 0.93 | 1.04 | 1.20 | 1.36 | | | | | | |
| Cons. w/ PFC in A | | | 0.41 | 0.49 | 0.89 | 0.94 | 1.03 | 1.19 | 1.35 | | | | | | |
| COP in W/W | | | 1.24 | 1.42 | 1.63 | 1.70 | 1.86 | 2.10 | 2.35 | | | | | | |

CECOMAF LBP

Evaporating temperature -25°C (-13°F)

220V, 50/60Hz, static cooling

Condensing temperature 55°C (131°F)

| | | | | | | | | |
|--------------------|------|------|------|------|------|------|------|-------|
| Speed in rpm | 1000 | 1200 | 1400 | 1600 | 1800 | 2000 | 3000 | 4000 |
| Capacity in W | 32.3 | 41.3 | 48.7 | 55.2 | 61.1 | 66.8 | 97.1 | 121.9 |
| Power cons. in W | 22.8 | 28.5 | 33.3 | 37.6 | 41.7 | 45.9 | 69.7 | 91.0 |
| Current cons. in A | 0.23 | 0.28 | 0.32 | 0.36 | 0.41 | 0.45 | 0.67 | 0.88 |
| Cons. w/ PFC in A | 0.15 | 0.18 | 0.21 | 0.24 | 0.27 | 0.29 | 0.44 | 0.89 |
| COP in W/W | 1.42 | 1.45 | 1.46 | 1.47 | 1.47 | 1.46 | 1.39 | 1.34 |

ASHRAE LBP

Evaporating temperature -23.3°C (-10°F)

220V, 50/60Hz, static cooling

Condensing temperature 54.4°C (130°F)

| | | | | | | | | |
|--------------------|------|------|------|------|------|------|-------|-------|
| Speed in rpm | 1000 | 1200 | 1400 | 1600 | 1800 | 2000 | 3000 | 4000 |
| Capacity in W | 43.3 | 55.1 | 65.0 | 73.8 | 81.9 | 89.7 | 130.8 | 164.1 |
| Power cons. in W | 23.8 | 29.6 | 34.6 | 39.2 | 43.6 | 48.1 | 73.4 | 95.6 |
| Current cons. in A | 0.24 | 0.29 | 0.33 | 0.38 | 0.43 | 0.47 | 0.70 | 0.93 |
| Cons. w/ PFC in A | 0.16 | 0.19 | 0.22 | 0.25 | 0.28 | 0.31 | 0.46 | 0.93 |
| COP in W/W | 1.82 | 1.86 | 1.88 | 1.88 | 1.88 | 1.87 | 1.78 | 1.72 |

Optimization point

Evaporating temperature -25°C (-13°F)

220V, 50/60Hz, static cooling

Condensing temperature 35°C (95°F)

| | | | | | | | | |
|--------------------|------|------|------|------|------|------|-------|-------|
| Speed in rpm | 1000 | 1200 | 1400 | 1600 | 1800 | 2000 | 3000 | 4000 |
| Capacity in W | 44.3 | 55.4 | 65.1 | 74.0 | 82.4 | 90.6 | 132.8 | 164.8 |
| Power cons. in W | 20.0 | 24.8 | 29.2 | 33.4 | 37.5 | 41.7 | 65.2 | 84.9 |
| Current cons. in A | 0.18 | 0.23 | 0.28 | 0.33 | 0.37 | 0.42 | 0.64 | 0.86 |
| Cons. w/ PFC in A | 0.12 | 0.15 | 0.18 | 0.21 | 0.24 | 0.27 | 0.42 | 0.56 |
| COP in W/W | 2.22 | 2.23 | 2.23 | 2.22 | 2.20 | 2.17 | 2.04 | 1.94 |

Optimization point

Evaporating temperature -10°C (14°F)

220V, 50/60Hz, static cooling

Condensing temperature 45°C (113°F)

| | | | | | | | | |
|--------------------|------|-------|-------|-------|-------|-------|-------|-------|
| Speed in rpm | 1000 | 1200 | 1400 | 1600 | 1800 | 2000 | 3000 | 4000 |
| Capacity in W | 82.6 | 100.1 | 116.6 | 132.4 | 147.9 | 163.4 | 242.4 | 308.2 |
| Power cons. in W | 30.5 | 36.9 | 43.1 | 49.2 | 55.4 | 61.9 | 96.7 | 127.0 |
| Current cons. in A | 0.31 | 0.37 | 0.44 | 0.50 | 0.56 | 0.62 | 0.94 | 1.26 |
| Cons. w/ PFC in A | 0.21 | 0.25 | 0.29 | 0.33 | 0.37 | 0.41 | 0.94 | 1.25 |
| COP in W/W | 2.71 | 2.72 | 2.71 | 2.69 | 2.67 | 2.64 | 2.51 | 2.43 |

Grey background

Compressor designation (yellow box)

Refrigerant | Application
controller reference

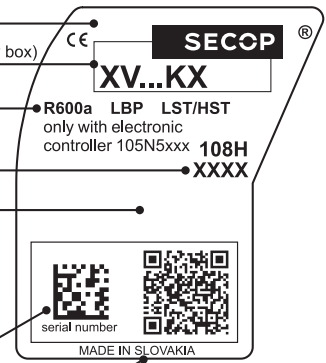
Code number

Approvals

Yellow warning sign is placed separately

Data Matrix Code | QR Code
(code number | website link)
on white background

Country of origin or manufacturer

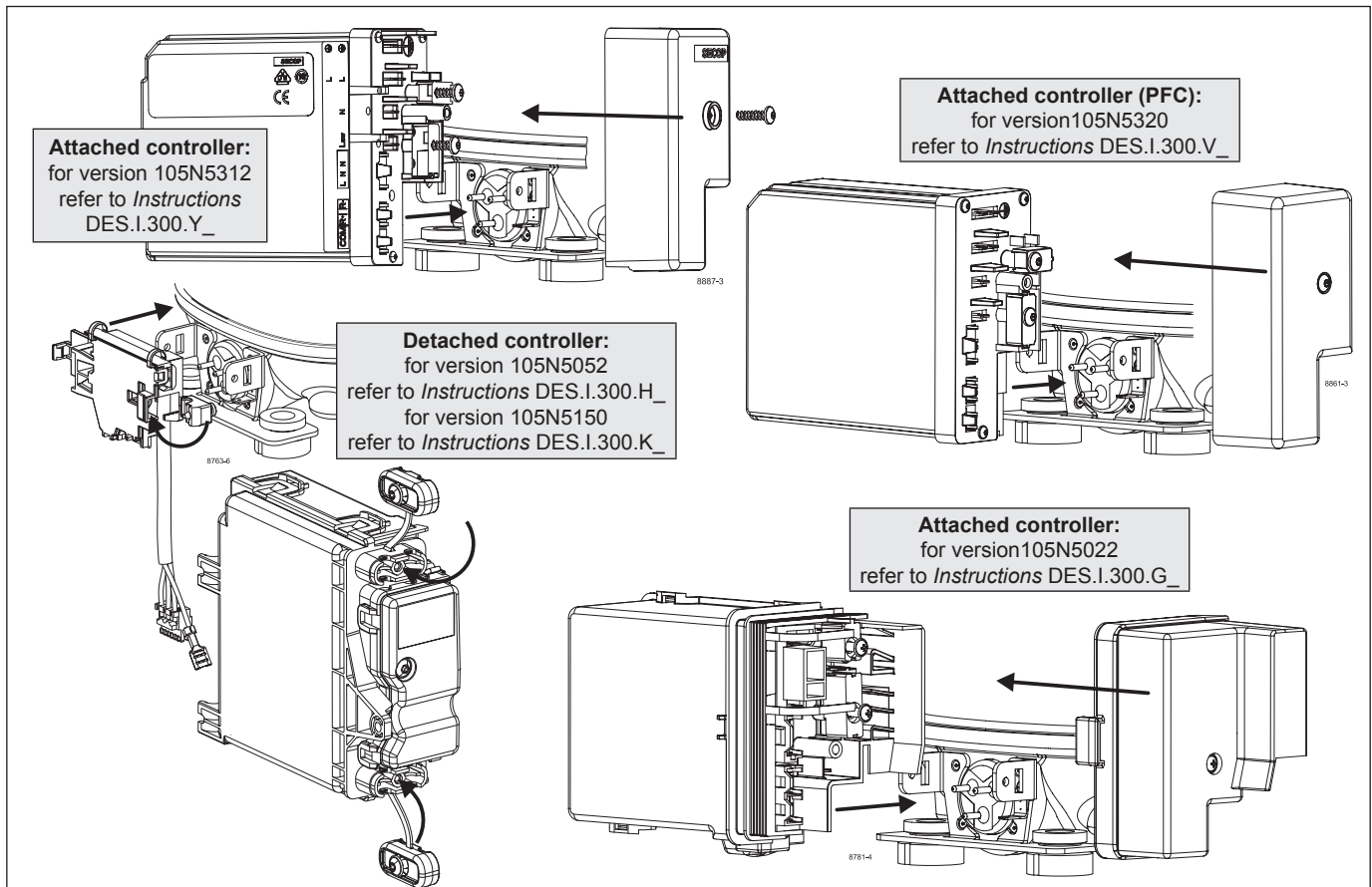


8762-3

| Test conditions | EN 12900/CECOMAF | ASHRAE LBP |
|-------------------------|------------------|------------|
| Condensing temperature | see tables | see tables |
| Ambient temperature | 32°C | 32°C |
| Suction gas temperature | 32°C | 32°C |
| Liquid temperature | no subcooling | 32°C |

| Mounting accessories for XV8.0KX | Code number |
|----------------------------------|-------------------|
| Bolt joint for one compressor | Ø: 16 mm 118-1917 |
| Bolt joint in quantities | Ø: 16 mm 118-1918 |
| Snap-on in quantities | Ø: 16 mm 118-1919 |

| Accessories for 105N5052 / 105N5150 | Code number |
|-------------------------------------|-----------------|
| Connector cable assembly | 400 mm 105B7102 |
| Connector cable assembly | 500 mm 105B7103 |
| Connector cable assembly | 540 mm 105B7104 |



Secop accepts no responsibility for possible errors in catalogs, brochures, and other printed material. Secop reserves the right to alter its products without notice. This also applies to products already on order provided that such alterations can be made without subsequent changes being necessary to specifications already agreed. All trademarks in this material are the property of the respective companies. Secop and the Secop logotype are trademarks of Secop GmbH. All rights reserved. www.secop.com