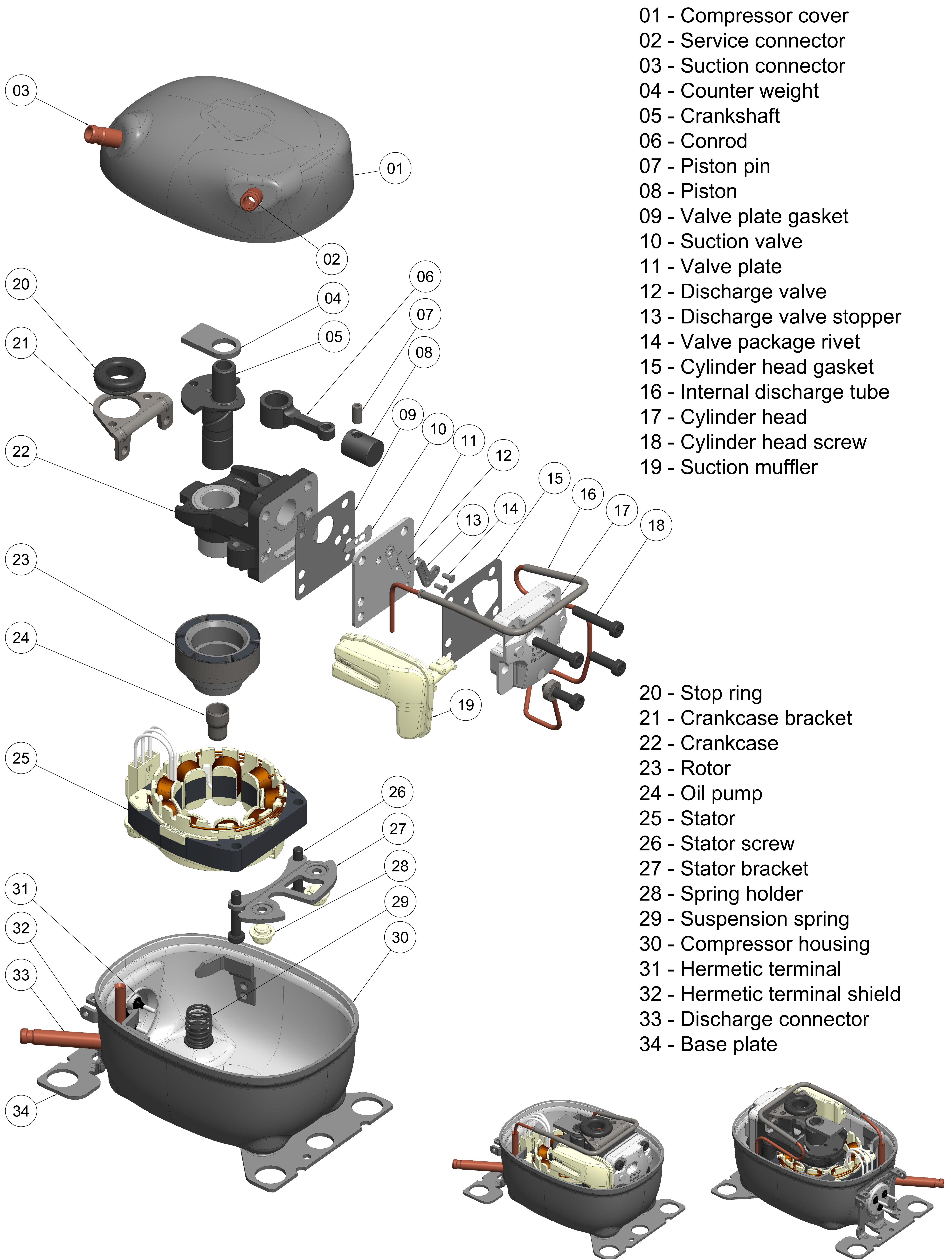


# BD Micro Compressor

# SECCOP



- 01 - Compressor cover
- 02 - Service connector
- 03 - Suction connector
- 04 - Counter weight
- 05 - Crankshaft
- 06 - Conrod
- 07 - Piston pin
- 08 - Piston
- 09 - Valve plate gasket
- 10 - Suction valve
- 11 - Valve plate
- 12 - Discharge valve
- 13 - Discharge valve stopper
- 14 - Valve package rivet
- 15 - Cylinder head gasket
- 16 - Internal discharge tube
- 17 - Cylinder head
- 18 - Cylinder head screw
- 19 - Suction muffler

- 20 - Stop ring
- 21 - Crankcase bracket
- 22 - Crankcase
- 23 - Rotor
- 24 - Oil pump
- 25 - Stator
- 26 - Stator screw
- 27 - Stator bracket
- 28 - Spring holder
- 29 - Suspension spring
- 30 - Compressor housing
- 31 - Hermetic terminal
- 32 - Hermetic terminal shield
- 33 - Discharge connector
- 34 - Base plate

