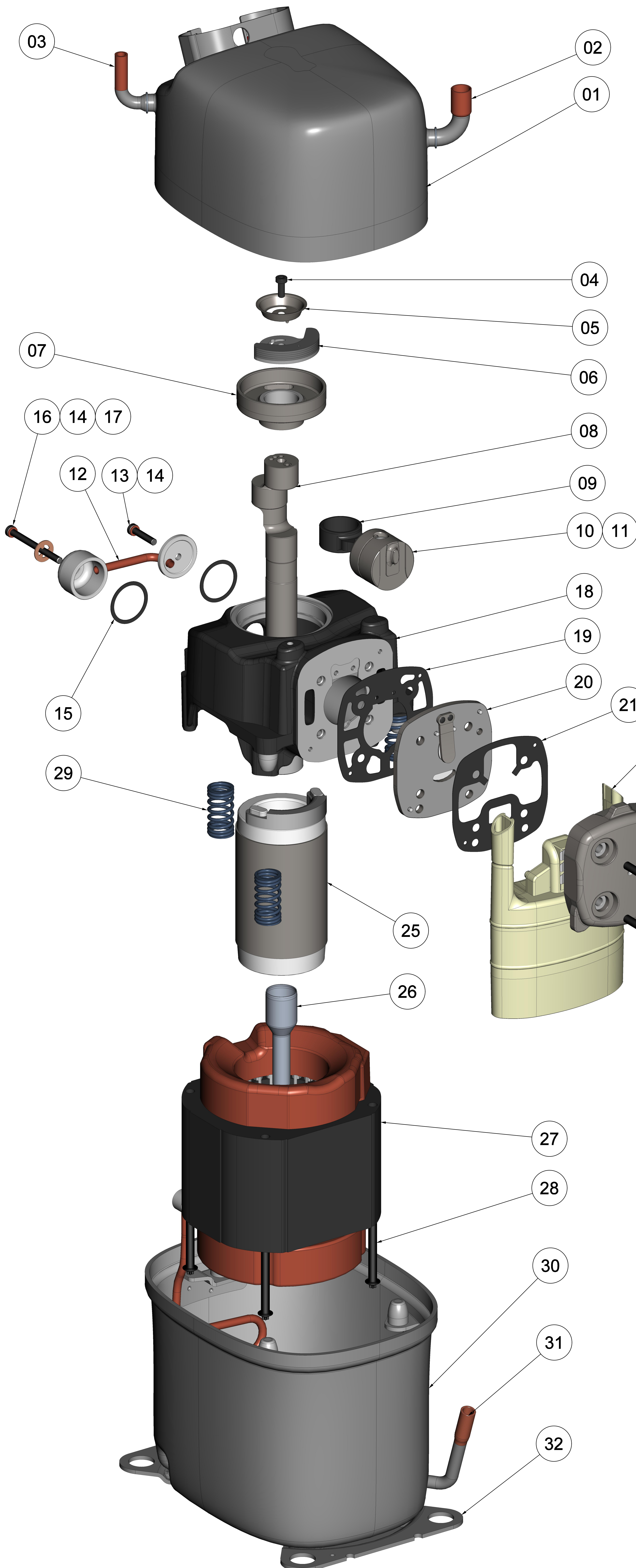


SECCOP



- 01 - Compressor cover
- 02 - Suction connector
- 03 - Service connector
- 04 - Counterweight screw
- 05 - Sling disk
- 06 - Counterweight
- 07 - Upper bearing
- 08 - Crankshaft
- 09 - Conrod
- 10 - Wrist pin
- 11 - Piston
- 12 - Discharge muffler bridge
- 13 - Discharge cover screw
- 14 - Screw washer
- 15 - Discharge muffler gasket
- 16 - Discharge muffler screw
- 17 - Internal discharge tube gasket
- 18 - Crankcase

- 19 - Valve plate gasket
- 20 - Valve plate group
- 21 - Cylinder head gasket
- 22 - Suction muffler
- 23 - Cylinder head
- 24 - Cylinder head screw
- 25 - Rotor
- 26 - Oil pump
- 27 - Stator
- 28 - Stator screw
- 29 - Suspension spring
- 30 - Compressor housing
- 31 - Discharge connector
- 32 - Base plate

GS Compressor