

Secop strives to be the first choice for partners searching for leading-edge refrigeration solutions and premium customer experience.

Secop is committed to delivering advanced refrigeration compressors and controls, offering customers tailored sustainable solutions for light commercial, battery-driven, and special cooling applications.

HERMETIC COMPRESSORS



A/C VOLTAGE


TECHNICAL DATA



ENERGY
OPTIMIZED



WIDE APPLICATION
RANGE



STATIONARY
COOLING



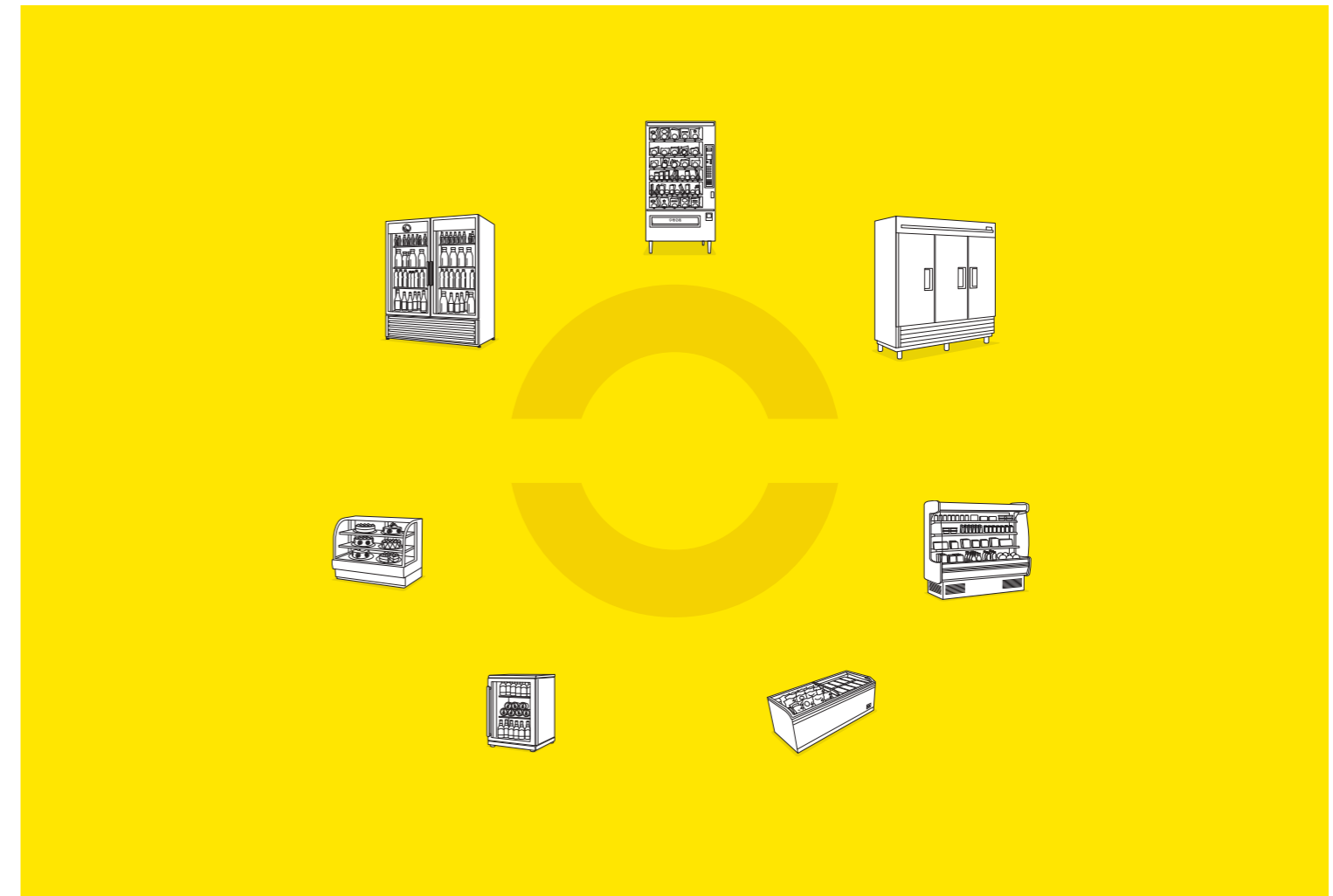
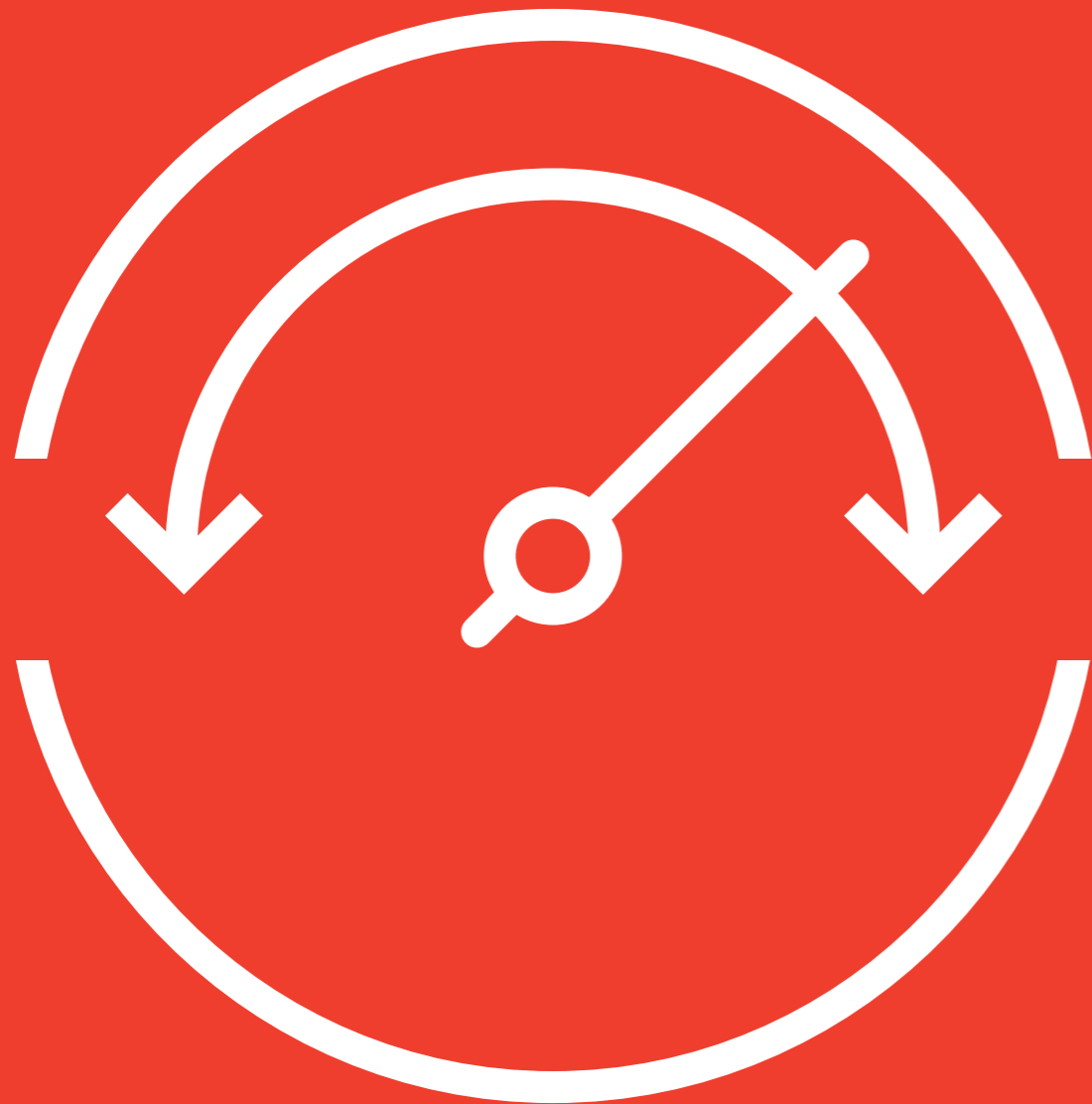
TABLE OF CONTENTS

1 Compressor Data	3
Variable-Speed Drive Compressors	4
DLV-Series · R290 · 100–127 V · 220–240 V · 50 / 60 Hz	6
NLV-Series · R290 · 100–240 V · 220–240 V · 50 / 60 Hz	8
SLV-Series · R290 · 110–120 V · 220–240 V · 208–240 V · 50 / 60 Hz	10
SLVE-Series · R290 · 220–240 V · 208–240 V · 50 / 60 Hz	10
Hermetic Compressors HC Refrigerants	12
International System of Units	
R290 · 220–240 V · 50 Hz	14
R290 · 220–240 V · 50 / 60 Hz 208–230 V · 60 Hz	16
R600a · 220–240 V · 50 Hz	18
K-Series AA · R600a · 220–240 V · 50 Hz	20
K-Series AT · R600a · 200–240 V · 50 / 60 Hz	20
Hermetic Compressors HFC Refrigerants	22
International System of Units	
R134a · 220–240 V · 50 Hz	24
R134a · 220–240 V · 50 / 60 Hz 208–230 V · 60 Hz	26
K-Series AT · R134a · 200–240 V · 50 Hz	26
R404A / R507 · 220–240 V · 50 Hz	28
R404A / R507 · 220–240 V · 50 / 60 Hz 208–230 V · 60 Hz	30
R407C · 220–240 V · 50 Hz	30
Hermetic Compressors HC, HFC Refrigerants 60 Hz	36
Imperial Units	
R600a · 115–127 V · 60 Hz	38
R600a · 220–240 V · 50 / 60 Hz	40
K-Series AT · R600a · 200–240 V · 50 / 60 Hz	40
R290 · 115–127 V · 60 Hz	40
R134a · 115–127 V · 60 Hz 110–127 V · 50 / 60 Hz	40
R134a · 220–240 V · 50 / 60 Hz 208–230 V · 60 Hz	42
R404A / R507 · 115–127 V · 60 Hz	44
R404A / R507 · 220–240 V · 50 / 60 Hz 208–230 V · 60 Hz	44
2 Product Selector in Detail	50

COMPRESSOR DATA



VARIABLE-SPEED DRIVE COMPRESSORS



R290

100–127V

208 / 220–240V

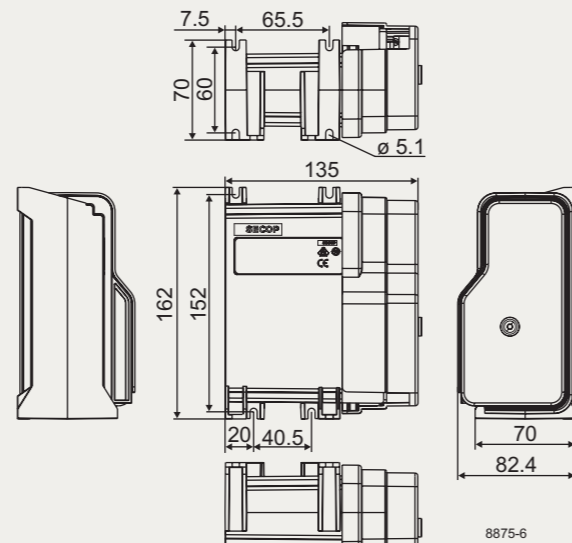
50 / 60 Hz

DLV-Series · R290 · 100-127 V · 220-240 V · 50/60 Hz

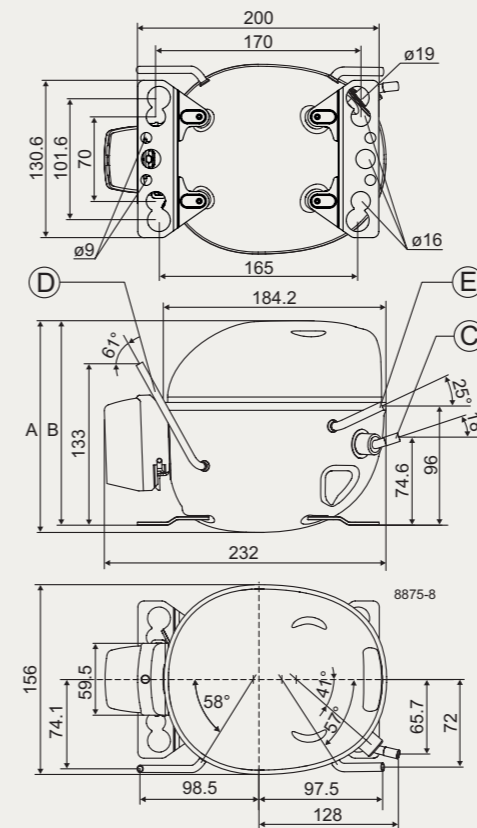
Compressor	Code number	Application	ASHRAE Capacity [W] Tc=54.4°C, Tliq=32.2°C, Tsuc=32.2°C Evaporating temperature [°C]						ASHRAE						Displacement [cm³]	Voltage and frequencies (dual frequency type with 50/60 Hz)		
			LBP rating point -23.3°C / 54.4°C		MBP rating point -6.7°C / 54.4°C		HBP rating point 7.2°C / 54.4°C		Cooling capacity		COP		Cooling capacity				COP	
			-35	-15	-5	0	10	15	[W]	[W/W]	[W]	[W/W]	[W]	[W/W]			[W]	[W/W]
DLV4.0CN 2000 rpm	102H3486	L/MBP	58	179	274	333	-	-	120	1.54	229	2.22	386	3.27	4.00	90-140 V, 50/60 Hz		
DLV4.0CN 4500 rpm	102H3486	L/MBP	136	420	642	779	-	-	280	1.58	537	2.22	904	3.25	4.00	90-140 V, 50/60 Hz		
DLV5.7CN 2000 rpm	102H4604	L/MBP	109	278	413	496	-	-	195	1.69	346	2.18	570	3.06	5.70	90-140 V, 50/60 Hz		
DLV5.7CN 4500 rpm	102H4604	L/MBP	249	639	947	1138	-	-	446	1.61	795	2.08	1308	2.92	5.70	90-140 V, 50/60 Hz		
DLV4.0CN 2000 rpm	102H3496	L/MBP	63	175	269	329	-	-	119	1.51	224	2.10	-	-	4.00	180-270 V, 50/60 Hz		
DLV4.0CN 4500 rpm	102H3496	L/MBP	-	437	655	789	-	-	299	1.71	549	2.31	911	3.24	4.00	180-270 V, 50/60 Hz		
DLV5.7CN 2000 rpm	102H3497	L/MBP	100	270	404	485	-	-	185	1.64	339	2.20	-	-	5.70	180-270 V, 50/60 Hz		
DLV5.7CN 4500 rpm	102H3497	L/MBP	-	631	922	1103	-	-	448	1.68	775	2.18	1264	2.98	5.70	180-270 V, 50/60 Hz		
DLV4.0CN 2000 rpm	102H3498	L/MBP	63	175	269	329	-	-	119	1.51	224	2.10	-	-	4.00	180-270 V, 50/60 Hz		
DLV4.0CN 4500 rpm	102H3498	L/MBP	-	437	655	789	-	-	299	1.71	549	2.31	911	3.24	4.00	180-270 V, 50/60 Hz		
DLV5.7CN 2000 rpm	102H3698	L/MBP	100	270	404	485	-	-	185	1.64	339	2.20	-	-	5.70	180-270 V, 50/60 Hz		
DLV5.7CN 4500 rpm	102H3698	L/MBP	-	631	922	1103	-	-	448	1.68	775	2.18	1264	2.98	5.70	180-270 V, 50/60 Hz		

DLV-Series °CCD® Controllers

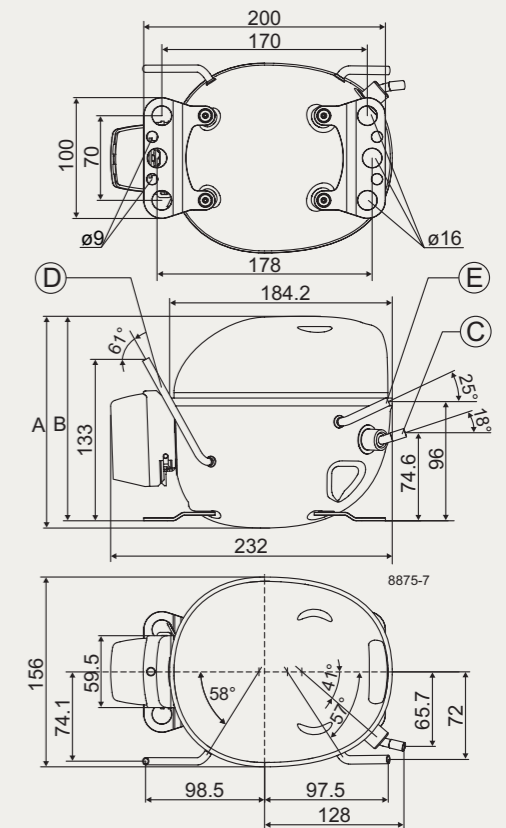
Compressor	Code number	DLV 105N4460 Standard	DLV 105N4410 Standard	DLV 105N4510 Standard, PFC
		Voltage range: 90-140 V, 50/60 Hz	Voltage range: 180-270 V, 50/60 Hz	Voltage range: 180-270 V, 50/60 Hz
		Inputs: Thermostat, defrost, communication, frequency signal	Inputs: Thermostat, defrost, communication, frequency signal	Inputs: Thermostat, defrost, communication, frequency signal
DLV4.0CN	102H3486	✓	-	-
DLV5.7CN	102H4604	✓	-	-
DLV4.0CN	102H3496	-	✓	✓
DLV5.7CN	102H3497	-	✓	✓
DLV4.0CN	102H3498	-	✓	✓
DLV5.7CN	102H3698	-	✓	✓



DLV 102H3486, 102H4604, 102H3496, 102H3497



DLV 102H3498, 102H3698



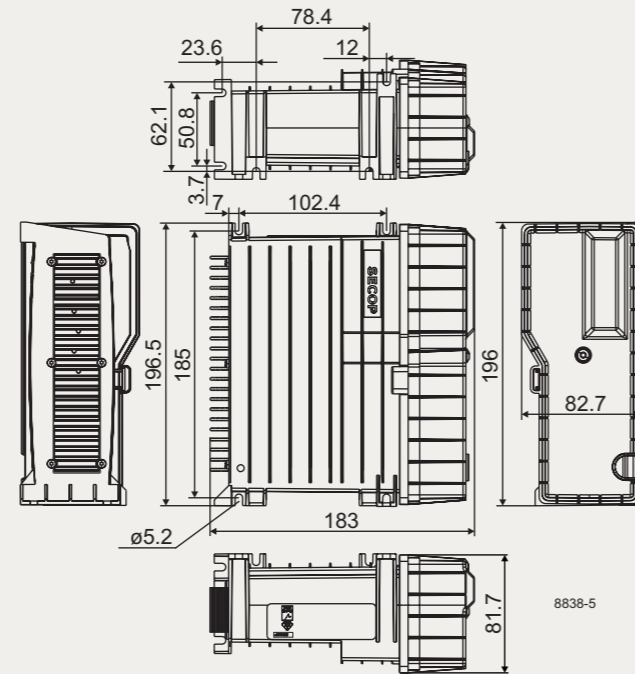
Power [HP]	Compressor Cooling (refer to data sheet)	CECOMAF Capacity [W] Tc=55°C, Tliq=55°C, Tsuc=32°C Evaporating temperature [°C]						CECOMAF						Dimensions			Connection					
		LBP rating point -25°C / 55°C		MBP rating point -10°C / 55°C		HBP rating point 5°C / 55°C		Cooling capacity		COP		Cooling capacity		COP		Height [mm]		Connectors location / I.D. [mm]			Cord relief	Cover
		-35	-15	-5	0	10	15	[W]	[W/W]	[W]	[W/W]	[W]	[W/W]	A (I.D.)	B (I.D.)	C (I.D.)	D (I.D.)	E (I.D.)				
1/8	F2	47	145	221	268	-	-	88	1.18	180	1.82	321	2.74	175	169	8.20	6.50	6.50	103N1010	103N0492		
3/10	F2	110	339	518	627	-	-	207	1.21	422	1.82	752	2.72	175	169	8.20	6.50	6.50	103N1010	103N0492		
1/6	F2	88	225	333	400	-	-	146	1.31	275	1.81	476	2.58	175	169	8.20	6.50	6.50	103N1010	103N0492		
2/5	F2	202	517	765	918	-	-	334	1.25	632	1.73	1093	2.46	175	169	8.20	6.50	6.50	103N1010	103N0492		
1/8	F2	51	141	217	265	-	-	88	1.16	176	1.72	321	2.60	175	169	8.20	6.50	6.50	103N1010	103N0492		
3/10	F2	-	354	530	638	-	-	222	1.32	436	1.92	762	2.74	175	169	8.20	6.50	6.50	103N1010	103N0492		
1/6	F2	81	218	326	391	-	-	138	1.27	269	1.82	464	2.63	175	169	8.20	6.50	6.50	103N1010	103N0492		
2/5	F2	-	511	744	889	-	-	337	1.31	619	1.82	1056	2.53	175	169	8.20	6.50	6.50	103N1010	103N0492		
1/8	F2	51	141	217	265	-	-	88	1.16	176	1.72	321	2.60	175	169	8.20	6.20	6.20	103N1010	103N0492		
3/10	F2	-	354	530	638	-	-	222	1.32	436	1.92	762	2.74	175	169	8.20	6.20	6.20	103N1010	103N0492		
1/6	F2	81	218	326	391	-	-	138	1.27	269	1.82	464	2.63	175	169	8.20	6.20	6.20	103N1010	103N0492		
2/5	F2	-	511	744	889	-	-	337	1.31	619	1.82	1056	2.53	175	169	8.20	6.20	6.20	103N1010	103N0492		

NLV-Series · R290 · 100–240 V · 220–240 V · 50/60 Hz

Compressor	Code number	Application	ASHRAE Capacity [W] T _c =54.4°C, T _{liq} =32.2°C, T _{suc} =32.2°C Evaporating temperature [°C]						ASHRAE						Displacement [cm ³]	Voltage and frequencies (dual frequency type with 50/60 Hz)		
			LBP rating point -23.3°C / 54.4°C		MBP rating point -6.7°C / 54.4°C		HBP rating point 7.2°C / 54.4°C		Cooling capacity		COP		Cooling capacity				COP	
			-35	-15	-5	0	10	15	[W]	[W/W]	[W]	[W/W]	[W]	[W/W]			[W]	[W/W]
NLV8.0CN 2000 rpm	105H7800	L/MBP	150	388	584	703	-	-	265	1.73	489	2.26	804	3.23	7.96	90–270 V, 50/60 Hz		
NLV8.0CN 4500 rpm	105H7800	L/MBP	-	826	1252	1510	-	-	558	1.72	1049	2.29	1731	3.14	7.96	90–270 V, 50/60 Hz		
NLV10CN 2000 rpm	105H7000	L/MBP	203	509	758	907	-	-	352	1.74	636	2.20	1031	3.08	10.09	90–270 V, 50/60 Hz		
NLV10CN 4500 rpm	105H7000	L/MBP	-	1085	1617	1941	-	-	749	1.76	1357	2.22	2217	2.93	10.09	90–270 V, 50/60 Hz		
NLV12.6CN 2000 rpm	105H6355	L/MBP	246	605	897	1076	-	-	422	1.68	753	2.17	1230	2.86	12.55	180–270 V, 50/60 Hz		
NLV12.6CN 2000 rpm	105H6355	L/MBP	-	1344	1995	2393	-	-	938	1.66	1675	2.05	2736	2.62	12.55	180–270 V, 50/60 Hz		
NLV8.0CN 2000 rpm	105H7801	L/MBP	150	388	584	703	-	-	265	1.73	489	2.26	804	3.23	7.96	90–270 V, 50/60 Hz		
NLV8.0CN 4500 rpm	105H7801	L/MBP	-	826	1252	1510	-	-	558	1.72	1049	2.29	1731	3.14	7.96	90–270 V, 50/60 Hz		
NLV10CN 2000 rpm	105H7001	L/MBP	203	509	758	907	-	-	352	1.74	636	2.20	1031	3.08	10.09	90–270 V, 50/60 Hz		
NLV10CN 4500 rpm	105H7001	L/MBP	-	1085	1617	1941	-	-	749	1.76	1357	2.22	2217	2.93	10.09	90–270 V, 50/60 Hz		
NLV12.6CN 2000 rpm	105H6356	L/MBP	246	605	897	1076	-	-	422	1.68	753	2.17	1230	2.86	12.55	180–270 V, 50/60 Hz		
NLV12.6CN 2000 rpm	105H6356	L/MBP	-	1344	1995	2393	-	-	938	1.66	1675	2.05	2736	2.62	12.55	180–270 V, 50/60 Hz		

NLV-Series °CCD® Controllers

Compressor	Code number	NLV 105N4710 Standard, PFC	NLV 105N4760 Multi Voltage, PFC
		Voltage range: 180–270 V, 50/60 Hz	Voltage range: 90–270 V, 50/60 Hz
		Inputs: Thermostat, defrost, communication, frequency signal	Inputs: Thermostat, defrost, communication, frequency signal
NLV8.0CN	105H7800	✓	✓
NLV10CN	105H7000	✓	✓
NLV12.6CN	105H6355	✓	✓
NLV8.0CN	105H7801	✓	✓
NLV10CN	105H7001	✓	✓
NLV12.6CN	105H6356	✓	✓



NLV

Power [HP]	Compressor Cooling (refer to data sheet)	CECOMAF Capacity [W] T _c =55°C, T _{liq} =55°C, T _{suc} =32°C Evaporating temperature [°C]						CECOMAF						Dimensions			Connection					
		LBP rating point -25°C / 55°C		MBP rating point -10°C / 55°C		HBP rating point 5°C / 55°C		Cooling capacity		COP		Cooling capacity		COP		Height [mm]		Connectors location / I.D. [mm]			Cord relief	Cover
		-35	-15	-5	0	10	15	[W]	[W/W]	[W]	[W/W]	[W]	[W/W]	A (I.D.)	B (I.D.)	C (I.D.)	D (I.D.)	Dis-charge E (I.D.)				
1/4	F2	122	314	471	566	-	-	198	1.34	387	1.88	673	2.71	203	197	8.20	6.20	6.20	-	103N2008		
1/2	F2	-	667	1010	1216	-	-	415	1.33	827	1.91	1446	2.67	203	197	8.20	6.20	6.20	-	103N2008		
1/3	F2	165	412	612	732	-	-	264	1.35	505	1.84	865	2.59	203	197	8.20	6.20	6.20	-	103N2008		
3/4	F2	-	878	1306	1565	-	-	560	1.37	1077	1.87	1856	2.51	203	197	8.20	6.20	6.20	-	103N2008		
3/8	F2	199	489	723	867	-	-	316	1.30	598	1.81	1028	2.44	203	197	8.20	6.20	6.20	-	103N2008		
5/6	F2	-	1086	1609	1927	-	-	703	1.29	1329	1.73	2287	2.25	203	197	8.20	6.20	6.20	-	103N2008		
1/4	F2	122	314	471	566	-	-	198	1.34	387	1.88	673	2.71	203	197	8.20	6.50	6.50	-	103N2008		
1/2	F2	-	667	1010	1216	-	-	415	1.33	827	1.91	1446	2.67	203	197	8.20	6.50	6.50	-	103N2008		
1/3	F2	165	412	612	732	-	-	264	1.35	505	1.84	865	2.59	203	197	8.20	6.50	6.50	-	103N2008		
3/4	F2	-	878	1306	1565	-	-	560	1.37	1077	1.87	1856	2.51	203	197	8.20	6.50	6.50	-	103N2008		
3/8	F2	199	489	723	867	-	-	316	1.30	598	1.81	1028	2.44	203	197	8.20	6.50	6.50	-	103N2008		
5/6	F2	-	1086	1609	1927	-	-	703	1.29	1329	1.73	2287	2.25	203	197	8.20	6.50	6.50	-	103N2008		

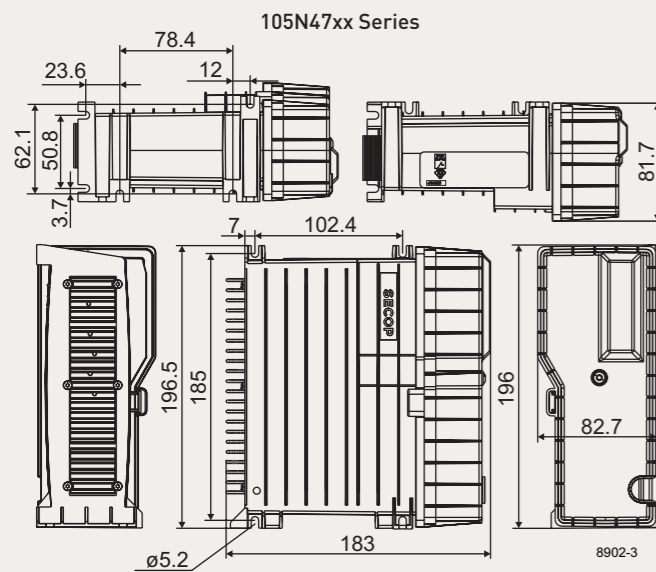
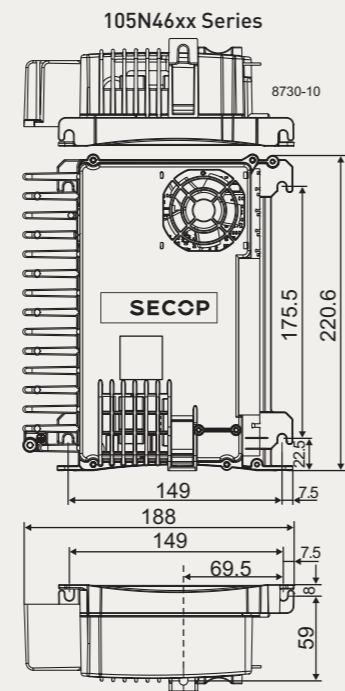


SLV- / SLVE-Series · R290 · 110–120 V · 220–240 V · 208–240 V · 50/60 Hz

Compressor	Code number	Application	ASHRAE Capacity [W] Tc=54.4°C, Tliq=32.2°C, Tsuc=32.2°C Evaporating temperature [°C]						ASHRAE						Displacement [cm³]	Voltage and frequencies (*dual frequency type with 50/60 Hz)
			LBP rating point -23.3°C / 54.4°C		MBP rating point -6.7°C / 54.4°C		HBP rating point 7.2°C / 54.4°C		Cooling capacity		Cooling capacity		Cooling capacity			
			-35	-15	-5	0	10	15	[W]	[W/W]	[W]	[W/W]	[W]	[W/W]		
SLV15CNK 2000 rpm	104H8578	LBP	232	665	-	-	-	446	1.31	-	-	-	-	15.28	95-135 V, 50/60 Hz	
SLV15CNK 4000 rpm	104H8578	LBP	438	1297	-	-	-	888	1.42	-	-	-	-	15.28	95-135 V, 50/60 Hz	
SLV15CNK.2 2000 rpm	104H8541	LBP	232	665	-	-	-	446	1.32	-	-	-	-	15.28	180-254 V, 50/60 Hz	
SLV15CNK.2 4000 rpm	104H8541	LBP	438	1297	-	-	-	888	1.42	-	-	-	-	15.28	180-254 V, 50/60 Hz	
SLVE18CN 2200 rpm	104H8841	L/MBP	353	964	1427	1708	-	666	1.73	1199	2.21	-	-	17.69	180-270 V, 50/60 Hz	
SLVE18CN 4500 rpm	104H8841	L/MBP	-	1726	2554	3057	4268	1192	1.67	2146	2.14	3485	2.98	17.69	180-270 V, 50/60 Hz	

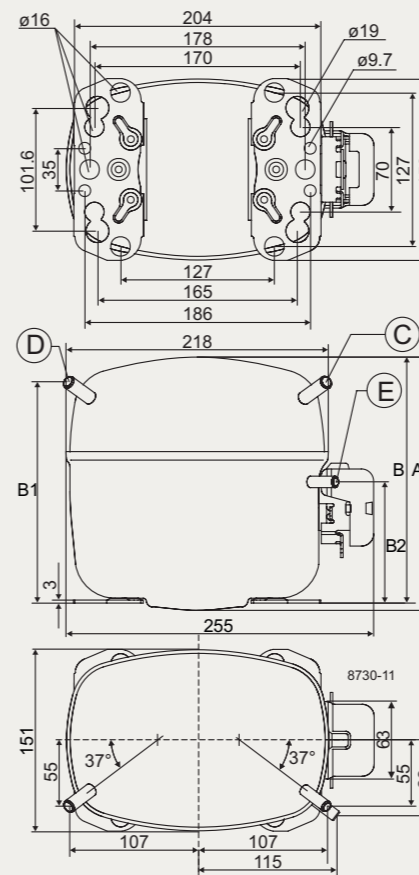
SLV- / SLVE-Series °CCD® Controllers

Compressor	Code number	SLV	SLV	SLVE
		105N467x Series	105N46xx Series	105N47xx Series
		General Purpose, PFC	General Purpose, PFC	Standard, PFC
		Voltage range: 95–135 V, 50/60 Hz	Voltage range: 180–254 V, 50/60 Hz	Voltage range: 180–270 V, 50/60 Hz
		Inputs: Modbus, integrated temp. controller	Inputs: Modbus, integrated temp. controller	Inputs: Thermostat, defrost, communication, frequency signal
SLV15CNK	104H8578	✓	-	-
SLV15CNK.2	104H8541	-	✓	-
SLVE18CN	104H8841	-	-	✓

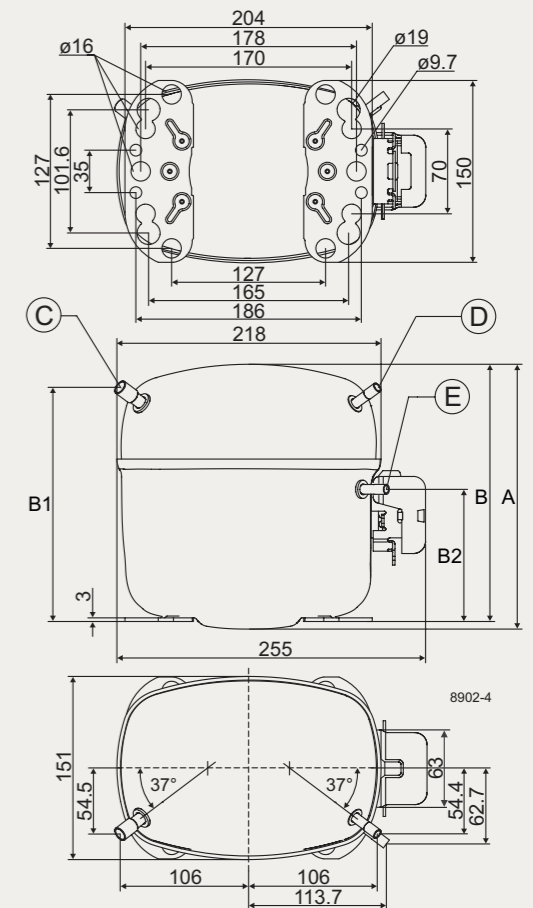


Power [HP]	Compressor Cooling (refer to data sheet)	CECOMAF Capacity [W] Tc=55°C, Tliq=55°C, Tsuc=32°C Evaporating temperature [°C]						CECOMAF						Dimensions					Connection	
		LBP rating point -25°C / 55°C		MBP rating point -10°C / 55°C		HBP rating point 5°C / 55°C		Cooling capacity		Cooling capacity		Cooling capacity		Height [mm]		Connectors location / I.D. [mm]			Cord relief	Cover
		-35	-15	-5	0	10	15	[W]	[W/W]	[W]	[W/W]	[W]	[W/W]	A (I.D.)	B (I.D.)	C (I.D.)	D (I.D.)	E (I.D.)		
2/5	F2	187	536	-	-	-	-	329	1.01	668	1.46	-	-	199	193	10.20	6.20	6.20	-	103N2008
5/6	F2	352	1048	-	-	-	-	657	1.10	1284	1.54	-	-	199	193	10.20	6.20	6.20	-	103N2008
2/5	F2	187	536	-	-	-	-	329	1.01	668	1.46	-	-	199	193	10.20	6.20	6.20	-	103N2008
5/6	F2	352	1048	-	-	-	-	657	1.10	1284	1.54	-	-	199	193	10.20	6.20	6.20	-	103N2008
3/5	F2	285	780	1152	1377	-	-	497	1.34	954	1.85	-	-	219	213	10.20	6.20	6.20	-	103N2008
11/4	F2	-	1396	2063	2466	3430	-	889	1.29	1708	1.79	2920	2.51	219	213	10.20	6.20	6.20	-	103N2008

SLV



SLVE



HERMETIC COMPRESSORS HC REFRIGERANTS



International System of Units

R290
R600a

208–230 V · 60 Hz

220–240 V · 50/60 Hz

220–240 V · 50 Hz

200–240 V · 50/60 Hz

Compressor	Code number	Application	ASHRAE Capacity [W] Tc=54.4°C, Tliq=32.2°C, Tsuc=32.2°C Evaporating temperature [°C]						ASHRAE						Displacement [cm³]	Voltage and frequencies [*dual frequency type with 50/60 Hz]	Compressor cooling [refer to data sheet]						
			-35		-15		-5		0		10		15					LBP rating point -23.3°C / 54.4°C		MBP rating point -6.7°C / 54.4°C		HBP rating point 7.2°C / 54.4°C	
			Co	o	o	o	o	o	o	o	o	o	o	o				o	o	o	o	o	o
TL3CN	102H4380	L/MBP	49	161	249	303	-	-	105	0.91	208	1.38	-	-	3.13	198-254 V, 50 Hz	F1						
TL4CN	102H4490	L/MBP	76	212	316	379	-	-	146	1.07	265	1.46	-	-	3.86	198-254 V, 50 Hz	F1						
TL5CN	102H4590	L/MBP	109	296	436	521	-	-	205	1.18	367	1.53	-	-	5.08	198-254 V, 50 Hz	F1						
DLE4CN	102H4465	L/MBP	103	276	400	468	-	-	191	1.48	338	1.97	511	2.60	4.00	198-254 V, 50 Hz	F2						
DLE4.8CN	102H4565	L/MBP	128	339	494	595	-	-	242	1.56	415	1.98	693	2.81	4.80	198-254 V, 50 Hz	F2						
DLE5.7CN	102H4653	L/MBP	168	415	603	722	-	-	298	1.53	507	1.97	832	2.70	5.70	198-254 V, 50 Hz	F2						
DLE6.5CN	102H4765	L/MBP	168	446	652	782	-	-	315	1.53	548	1.92	902	2.62	6.50	198-254 V, 50 Hz	F2						
DLE7.5CN	102H4853	L/MBP	209	519	765	918	-	-	366	1.47	643	1.91	1055	2.56	7.48	198-254 V, 50 Hz	F2						
DLE4CNT	102H4460	L/MBP	103	276	400	468	-	-	191	1.48	338	1.97	511	2.60	4.00	187-254 V, 50 Hz	F2						
DLE5.7CNT	102H4685	L/MBP	168	415	603	722	-	-	298	1.53	507	1.97	832	2.70	5.70	187-254 V, 50 Hz	F2						
NL7CN	105H6756	L/MBP	174	474	712	859	-	-	325	1.35	597	1.81	-	-	7.27	198-254 V, 50 Hz	F1						
NL9CN	105H6856	L/MBP	205	548	815	979	-	-	380	1.39	684	1.80	-	-	8.35	198-254 V, 50 Hz	F1						
NLE8.8CN	105H6880	L/MBP	236	611	893	1068	1497	-	431	1.57	751	1.98	1220	2.68	8.76	198-254 V, 50 Hz	F2						
NLE10CN	105H6175	L/MBP	267	702	1038	1240	1722	-	486	1.47	872	1.89	1409	2.53	10.09	198-254 V, 50 Hz	F2						
NLE11CNL	105H6174	LBP	300	778	1143	-	-	-	540	1.52	962	1.92	-	-	11.15	198-254 V, 50 Hz	F2						
NLE12.6CNL	105H6378	LBP	355	861	1274	-	-	-	611	1.63	1069	2.00	-	-	12.55	198-254 V, 50 Hz	F2						
NLE11MN	105H6177	MBP	-	795	1166	1391	1929	-	562	1.58	981	2.01	1579	2.70	11.15	198-254 V, 50 Hz	F2						
NLE12.6MN	105H6377	MBP	-	855	1261	1510	2114	-	602	1.56	1060	1.97	1725	2.56	12.55	198-254 V, 50 Hz	F2						
NLU8.8DN	105H6085	M/HBP	-	569	862	1045	1488	1751	392	1.60	721	2.17	1210	3.09	8.76	187-254 V, 50 Hz	F2						
SC10CNX	104H8065	L/MBP	175	547	853	1042	-	-	358	1.27	711	1.79	-	-	10.29	198-254 V, 50 Hz	F2						
SC12CNX	104H8265	L/MBP	227	711	1110	1372	-	-	475	1.31	923	1.79	-	-	12.87	198-254 V, 50 Hz	F2						
SC15CNX	104H8565	L/MBP	251	918	1415	1717	-	-	597	1.35	1183	1.83	-	-	15.28	198-254 V, 50 Hz	F2						
SC18CNX	104H8865	L/MBP	315	1106	1684	2032	-	-	727	1.36	1410	1.74	-	-	17.69	198-254 V, 50 Hz	F2						
SC12CNX.2	104H8266	LBP	230	742	-	-	-	-	491	1.20	-	-	-	-	12.87	198-254 V, 50 Hz	F2						
SC15CNX.2	104H8566	LBP	345	928	-	-	-	-	624	1.32	-	-	-	-	15.28	198-254 V, 50 Hz	F2						
SC18CNX.2	104H8866	LBP	342	1194	-	-	-	-	797	1.31	-	-	-	-	17.69	198-254 V, 50 Hz	F2						
SC21CNX.2	104H8166	LBP	462	1399	-	-	-	-	962	1.45	-	-	-	-	20.95	198-254 V, 50 Hz	F2						
SC10MNX	104H8075	MBP	-	575	921	1132	-	-	351	1.19	766	1.70	1329	2.57	10.29	198-254 V, 50 Hz	F2						
SC12MNX	104H8275	MBP	-	757	1195	1461	-	-	474	1.13	995	1.77	1707	2.61	12.87	198-254 V, 50 Hz	F2						
SC15MNX	104H8575	MBP	-	967	1409	1679	-	-	680	1.51	1187	1.75	1907	2.40	15.28	198-254 V, 50 Hz	F2						
SC18MNX	104H8875	MBP	-	1109	1622	1943	-	-	777	1.31	1364	1.71	2237	2.33	17.69	198-254 V, 50 Hz	F2						
SCE15CNLX	104H8548	LBP	319	1004	1522	-	-	-	667	1.52	1276	2.05	-	-	15.28	198-254 V, 50 Hz	F2						
SCE18CNLX	104H8848	LBP	404	1179	1775	-	-	-	793	1.51	1489	2.03	-	-	17.69	198-254 V, 50 Hz	F2						
SCE21CNLX	104H8163	LBP	512	1397	2081	-	-	-	956	1.61	1748	2.08	-	-	20.95	198-254 V, 50 Hz	F2						
SCE21CNLX	104H8164	LBP	497	1381	2062	-	-	-	939	1.49	1732	1.87	-	-	20.95	207-242 V, 50 Hz	F2						
SCE15CNX	104H8540	L/MBP	319	1002	1524	1836	-	-	664	1.62	1277	2.23	2100	3.13	15.28	198-254 V, 50 Hz	F2						
SCE18CNX	104H8840	L/MBP	400	1206	1818	2183	-	-	809	1.63	1525	2.24	2488	3.14	17.69	198-254 V, 50 Hz	F2						
SCE15MNX	104H8549	MBP	-	995	1513	1822	2550	-	659	1.49	1267	2.04	2083	2.84	15.28	198-254 V, 50 Hz	F2						
SCE18MNX	104H8849	MBP	-	1193	1789	2144	-	-	809	1.46	1501	1.97	2437	2.75	17.69	198-254 V, 50 Hz	F2						
SCE21MNX	104H8160	MBP	-	1443	2091	2492	-	-	1002	1.64	1762	2.11	2852	2.91	20.95	198-254 V, 50 Hz	F2						

Electrical equipment

Dimensions						LST (RSIR & RSCR) refer to data sheet for more info				Run capacitor (RC)		HST (CSIR & CSR) *alt. cable lengths avail.			LST/HST		
Height [mm]		Connectors location / I.D. [mm]			alt. connectors available	PTC starting device		PTC starting device with RC connector		ePTC	→ optional → compulsory*		Starting relay	Starting capacitor	Starting device*	Cord relief	Cover
A	B	Suction	Process	Dis-charge		Spades		Spades		Spades	Spades		Spades				
		C (I.D.)	D (I.D.)	E (I.D.)		6.3 mm	4.8 mm	6.3 mm	4.8 mm	4.8 mm	6.3 mm	4.8 mm	6.3 mm	6.3 mm			
163	159	6.2	6.2	5	X	103N0011	103N0018	-	-	-	-	-	117U7004	117U5014	-	103N1010	103N2010
173	169	6.2	6.2	5	-	103N0011	103N0018	-	-	-	-	-	117U7004	117U5014	-	103N1010	103N2010
173	169	6.2	6.2	5	X	103N0011	103N0018	103N0016	103N0021	-	117-7117	117-7119	117U7000	117U5014	-	103N1010	103N2010
175	169	6.2	6.2	5	X	-	-	-	-	103N0050	-	117-7129	117U7000	117U5014	-	103N1010	103N0491
175	169	8.2	6.2	6.2	X	-	-	-	-	103N0050	-	117-7129	117U7001	117U5014	-	103N1010	103N0491
175	169	8.2	6.2	6.2	X	-	-	-	-	103N0050	-	117-7129	117U7015	117U5015	-	103N1010	103N0491
175	169	8.2	6.2	6.2	X	-	-	-	-	103N0050	-	117-7129	117U7016	117U5015	-	103N1010	103N0491
175	169	8.2	6.2	6.2	X	-	-	-	-	103N0050	-	117U7002	117U5015	-	103N1010	103N0491	
175	169	6.2	6.2	5	-	-	-	-	-	103N0050	-	117-7129	117U7000	117U5014	-	103N1010	103N0491
175	169	8.2	6.2	6.2	X	-	-	-	-	103N0050	-	117-7129	117U7015	117U5015	-	103N1010	103N0491
203	197	8.2	6.2	6.2	-	103N0011	103N0018	103N0016	103N0021	-	117-7117	117-7119	117U7002	117U5015	-	103N1010	103N2010
203	197	8.2	6.2	6.2	X	103N0011	103N0018	103N0016	103N0021	-	117-7117	117-7119	117U7002	117U5015	-	103N1010	103N2010
203	197	8.2	6.2	6.2	X	-	-	-	-	103N0050	-	117-7119	117U7002	117U5015	-	103N1010	103N2010
203	197	8.2	6.2	6.2	X	-	-	-	-	103N0050	-	117-7119	117U7002	117U5015	-	103N1010	103N2010
203	197	8.2	6.2	6.2	X	-	-	-	-	103N0050	-	-	117U7003	117U5015	-	103N1010	103N2010
203	197	8.2	6.2	6.2	-	-	-	-	-	103N0050	-	117-7119	117U7003	117U5015	-	103N1010	103N2010
203	197	8.2	6.2	6.2	X	-	-	-	-	103N0050	-	117-7119	117U7005	117U5015	-	103N1010	103N2010
203	197	8.2	6.2	6.2	X	-	-	-	-	103N0050	-	117-7119	117U7011	117U5015	-	103N1010	103N2010
203	197	8.2	6.2	6.2	-	-	-	-	-	-	117-7111 *	-	117-7425	117U5389	-	103N1010	103N2010
209	203	8.2	6.2	6.2	-	-	-	-	-	-	-	-	-	117U5372	117-7025	103N1004	103N2009
209	203	8.2	6.2	6.2	-	-	-	-	-	-	-	-	-	117U5372	117-7025	103N1004	103N2009
209	203	10.2	6.2	6.2	X	-	-	-	-	-	-	-	-	117U5373	117-7031	103N1004	103N2009
209	203	10.2	6.2	6.2	X	-	-	-	-	-	-	-	-	117U5373	117-7052	103N1004	103N2009
209	203	8.2	6.2	6.2	X	-	-	-	-	-	-	-	117U7003	117U5017	-	103N1004	103N2009
209	203	8.2	6.2	6.2	-	-	-	-	-	-	-	-	117U7005	117U5017	-	103N1004	103N2009
219	213	10.2	6.2	6.2	-	-	-	-	-	-	-	-	117U7011	117U5017	-	103N1004	103N2009
219	213	10.2	6.2	6.2	X	-	-	-	-	-	-	-	117U7013	117U5012	-	103N1004	103N2009
209	203	8.2	6.2	6.2	-	-	-	-	-	-	-	-	117U7005	117U5017	-	103N1004	103N2008
219	213	8.2	6.2	6.2	-	-	-	-	-	-	-	-	117U7019	117U5017	-	103N1004	103N2008
219	213	8.2	6.2	6.2	-	-	-	-	-	-	-	-	117U7019	117U5017	-	103N1004	103N2008
219	213	8.2	6.2	6.2	-	-	-	-	-	-	-	-	117U7011	117U5017	-	103N1004	103N2008
219	213	10.2	6.2	6.2	-	-	-	-	-	-	-	-	117U7403	117U5017	-	103N1004	117U1033
219	21																

Compressor	Code number	Application	ASHRAE Capacity [W] Tc=54.4°C, Tliq=32.2°C, Tsuc=32.2°C Evaporating temperature [°C]						ASHRAE						Displacement [cm³]	Voltage and frequencies [*dual frequency type with 50/60 Hz]	Compressor cooling [refer to data sheet]
			LBP rating point -23.3°C / 54.4°C		MBP rating point -6.7°C / 54.4°C		HBP rating point 7.2°C / 54.4°C		Cooling capacity		Cooling capacity		Cooling capacity				
			-35	-15	-5	0	10	15	[W]	[W/W]	[W]	[W/W]	[W]	[W/W]			
			Cooling capacity	COP	Cooling capacity	COP	Cooling capacity	COP	[W]	[W/W]	[W]	[W/W]	[W]	[W/W]			
DLE4.8CNT	102H4587	L/MBP	130	334	498	600	-	-	232	1.38	417	1.95	694	2.82	4.80	187-254 V, 50 Hz *	F2
DLE5.7CNT	102H4678	L/MBP	166	415	606	726	-	-	295	1.46	510	1.95	835	2.75	5.70	187-254 V, 50 Hz *	F2
NLE8.0CNT	105H6073	L/MBP	-	553	824	991	-	-	377	1.45	692	2.02	1137	2.92	7.96	187-242 V, 50 Hz *	F2
NLE8.8CNT	105H6088	L/MBP	276	738	1086	1296	-	-	511	1.56	914	2.05	1469	2.80	8.76	187-253 V, 60 Hz	F2
NLE10CNT	105H6179	L/MBP	-	735	1076	1278	-	-	511	1.49	906	1.92	1440	2.59	10.09	187-242 V, 50 Hz *	F2
NLE11CNLT	105H6109	LBP	416	979	-	-	-	-	669	1.65	-	-	-	-	11.15	187-253 V, 60 Hz	F2
NLE11MNT	105H6199	MBP	-	965	1395	1654	-	-	-	-	1176	2.02	1866	2.73	11.15	187-253 V, 60 Hz	F2
SC18CNLX.2	104H8877	LBP	457	1268	1823	-	-	-	922	1.45	1533	1.92	-	-	17.69	198-254 V, 60 Hz	F2
SC21CNLX.2	104H8177	LBP	570	1552	2201	-	-	-	1138	1.45	1856	1.78	-	-	20.95	198-254 V, 60 Hz	F2
SCE15CNLX	104H8577	LBP	249	1210	1857	-	-	-	769	1.64	1555	2.27	-	-	15.28	187-253 V, 60 Hz	F2
SCE15CNLX	104H8588	LBP	250	1205	1848	-	-	-	764	1.47	1548	2.02	-	-	15.28	187-253 V, 60 Hz	F2
SCE18CNLX	104H8878	LBP	298	1434	2198	-	-	-	910	1.67	1841	2.30	-	-	17.69	187-253 V, 60 Hz	F2
SCE18CNLX	104H8888	LBP	440	1385	2066	-	-	-	940	1.50	1734	1.93	-	-	17.69	187-253 V, 60 Hz	F2
SCE21CNLX	104H8173	LBP	526	1646	2484	-	-	-	1102	1.65	2082	2.14	-	-	20.95	187-253 V, 60 Hz	F2
SCE21CNLX	104H8174	LBP	452	1582	2409	-	-	-	1042	1.43	2017	1.89	-	-	20.95	198-253 V, 60 Hz	F2
SCE15MNX	104H8579	MBP	-	1221	1852	2226	-	-	792	1.64	1552	2.25	2546	3.19	15.28	187-253 V, 60 Hz	F2
SCE15MNX	104H8589	MBP	-	1208	1828	2196	-	-	786	1.52	1533	2.03	2511	2.85	15.28	187-253 V, 60 Hz	F2
SCE18MNX	104H8879	MBP	-	1431	2146	2569	-	-	942	1.62	1802	2.21	2924	3.11	17.69	187-253 V, 60 Hz	F2
SCE18MNX	104H8889	MBP	-	1427	2137	2557	-	-	941	1.46	1794	1.96	2910	2.76	17.69	187-253 V, 60 Hz	F2

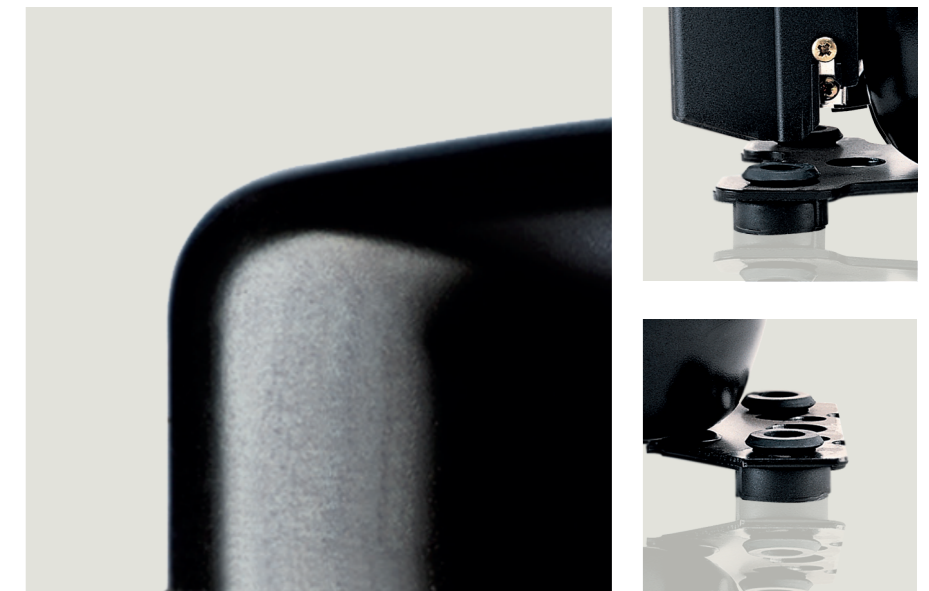
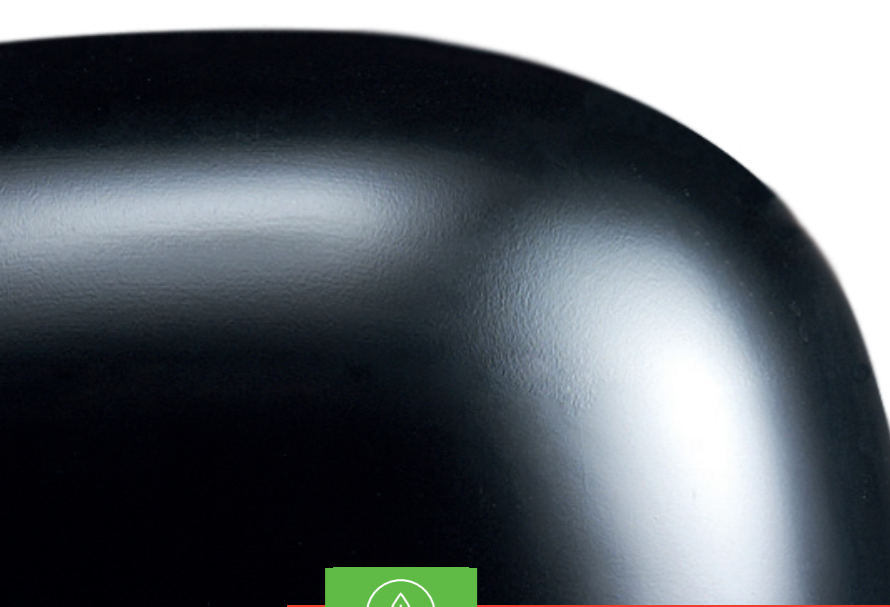
Dimensions						LST (RSIR & RSCR) refer to data sheet for more info					Run capacitor (RC)		HST (CSR & CSR) *alt. cable lengths avail.			LST/HST	
Height [mm]		Connectors location / I.D. [mm]			alt. connectors available	PTC starting device		PTC starting device with RC connector		ePTC	→ optional → compulsory*		Starting relay	Starting capacitor	Starting device*	Cord relief	Cover
A	B	Suction C (I.D.)	Process D (I.D.)	Dis-charge E (I.D.)		Spades		Spades		Spades	Spades		Spades				
		6.3 mm	4.8 mm	6.3 mm		4.8 mm	4.8 mm	6.3 mm	4.8 mm	6.3 mm	4.8 mm	6.3 mm	4.8 mm	6.3 mm	6.3 mm		
175	169	8.2	6.5	6.5	X	-	-	-	-	103N0050	-	117-7129	117U7002	117U5015	-	103N1010	103N0491
175	169	8.2	6.5	6.5	X	-	-	-	-	103N0050	-	117-7129	117U7002	117U5015	-	103N1010	103N0491
203	197	8.2	6.5	6.5	-	-	-	-	-	103N0050	-	117-7119	117U7003	117U5014	-	103N1010	103N2011
203	197	8.2	6.5	6.5	-	-	-	-	-	103N0050	-	117-7119	117U7022	117U5381	-	103N1010	103N2011
203	197	8.2	6.5	6.5	-	-	-	-	-	103N0050	-	117-7119	117U7050	117U5014	-	103N1010	103N2011
203	197	8.2	6.5	6.5	-	-	-	-	-	103N0050	-	117-7165	117U7005	117U5014	-	103N1010	103N2011
203	197	8.2	6.5	6.5	-	-	-	-	-	103N0050	-	117-7119	117U7050	117U5014	-	103N1010	103N2011
219	213	9.63	6.5	6.5	-	-	-	-	-	-	-	-	-	117U5373	117-7039	103N1004	103N2008
219	213	9.63	6.5	6.5	-	-	-	-	-	-	-	-	-	117U5373	117-7066	103N1004	103N2008
219	213	9.63	6.5	6.5	-	-	-	-	-	117U7121 *	-	117-7602	117U5373	117-7809	-	117U1021	
219	213	9.63	6.5	6.5	-	-	-	-	-	-	-	117U7413	117U5076	-	-	117U1021	
219	213	9.63	6.5	6.5	X	-	-	-	-	117U7121 *	-	117-7602	117U5373	117-7809	-	117U1021	
219	213	9.63	6.5	6.5	X	-	-	-	-	-	-	117U7413	117U5076	-	-	117U1021	
219	213	9.63	6.5	6.5	-	-	-	-	-	117U7121 *	-	117-7603	117U5373	117-7811	-	117U1021	
219	213	9.63	6.5	6.5	-	-	-	-	-	-	-	117U7407	117U5076	-	-	117U1021	
219	213	9.63	6.5	6.5	-	-	-	-	-	117U7121 *	-	117-7601	117U5373	117-7808	-	117U1021	
219	213	9.63	6.5	6.5	-	-	-	-	-	-	-	117U7401	117U5076	-	-	117U1021	
219	213	9.63	6.5	6.5	X	-	-	-	-	117U7121 *	-	117-7445	117U5373	117-7807	-	117U1021	
219	213	9.63	6.5	6.5	X	-	-	-	-	-	-	117U7412	117U5076	-	-	117U1021	



Compressor	Code number	Application	ASHRAE Capacity [W] Tc=54.4°C, Tliq=32.2°C, Tsuc=32.2°C Evaporating temperature [°C]						ASHRAE						Displacement [cm³]	Voltage and frequencies [*dual frequency type with 50/60 Hz]	Compressor cooling cooling [refer to data sheet]		
			LBP rating point -23.3°C / 54.4°C		MBP rating point -6.7°C / 54.4°C		HBP rating point 7.2°C / 54.4°C		Cooling capacity		COP		Cooling capacity					COP	
			-35	-15	-5	0	10	15	[W]	[W/W]	[W]	[W/W]	[W]	[W/W]				[W]	[W/W]
			Cooling capacity		COP		Cooling capacity		COP		Cooling capacity		COP						
PLE35K	101H0360	MBP	-	63	106	133	-	-	38	0.91	88	1.56	-	-	2.50	198-254 V, 50 Hz	S		
TLES4KK.3	102H4438	LBP	23	91	-	-	-	-	57	1.18	-	-	-	-	4.01	198-254 V, 50 Hz	S		
TLES4.8KK.3	102H4579	LBP	34	115	-	-	-	-	74	1.30	-	-	-	-	4.78	198-254 V, 50 Hz	S		
TLES4.8KK.3	102H4596	LBP	34	115	-	-	-	-	74	1.30	-	-	-	-	4.78	198-254 V, 50 Hz	S		
TLES5.7KK.3	102H4694	LBP	45	139	-	-	-	-	91	1.32	-	-	-	-	5.70	198-254 V, 50 Hz	S		
TLES6.5KK.3	102H4783	LBP	55	163	-	-	-	-	108	1.31	-	-	-	-	6.49	198-254 V, 50 Hz	S		
TLES7.5KK.3	102H4838	LBP	64	189	-	-	-	-	125	1.31	-	-	-	-	7.48	198-254 V, 50 Hz	S		
TLES8.7KK.3	102H4939	LBP	75	221	-	-	-	-	147	1.33	-	-	-	-	8.67	198-254 V, 50 Hz	S		
TLES5KTK	102H4536	LBP	34	121	194	240	-	-	77	1.22	162	1.78	-	-	5.08	187-254 V, 50 Hz	S		
TLES6KTK	102H4636	LBP	38	136	-	-	-	-	89	1.23	-	-	-	-	5.70	187-254 V, 50 Hz	S		
TLES10KTK.3	102H4050	LBP	89	249	-	-	-	-	168	1.36	-	-	-	-	10.13	187-254 V, 50 Hz	S		
NLE10KK.4	105H6867	LBP	90	252	-	-	-	-	170	1.51	-	-	-	-	10.09	198-254 V, 50 Hz	S		
NLE11KK.4	105H6952	LBP	100	283	-	-	-	-	190	1.56	-	-	-	-	11.15	198-254 V, 50 Hz	S		
NLE13KK.4	105H6939	LBP	121	334	-	-	-	-	226	1.56	-	-	-	-	13.25	198-254 V, 50 Hz	S		
NLE15KK.4	105H6968	LBP	134	374	-	-	-	-	253	1.53	-	-	-	-	14.65	198-254 V, 50 Hz	S		
NLE9KTK	105H6071	LBP	66	202	-	-	-	-	131	1.33	-	-	-	-	8.35	187-254 V, 50 Hz *	S		
NLE11KTK	105H6948	LBP	88	251	-	-	-	-	168	1.31	-	-	-	-	11.15	187-254 V, 50 Hz *	S		
NLE11KTK.2	105H6173	LBP	102	295	-	-	-	-	198	1.51	-	-	-	-	11.15	187-254 V, 50 Hz	S		
NLE13KTK.2	105H6929	LBP	117	338	-	-	-	-	227	1.52	-	-	-	-	13.25	187-254 V, 50 Hz	S		
NLE15KTK.2	105H6966	LBP	129	383	-	-	-	-	254	1.52	-	-	-	-	14.65	187-254 V, 50 Hz	S		
NLE15MKK	105H6533	MBP	-	375	586	718	-	-	248	1.49	491	1.99	852	2.50	14.65	198-254 V, 50 Hz	S		
NLX10KK.1	105H6104	LBP	82	262	-	-	-	-	172	1.74	-	-	-	-	10.09	198-254 V, 50 Hz	S		
NLX13KK.1	105H6304	LBP	111	337	-	-	-	-	223	1.75	-	-	-	-	13.25	198-254 V, 50 Hz	S		
NLX15KK.2	105H6977	LBP	135	377	-	-	-	-	255	1.87	-	-	-	-	14.65	198-254 V, 50 Hz	S		
NLX15KK.3	105H6506	LBP	132	388	-	-	-	-	254	1.85	-	-	-	-	14.65	198-254 V, 50 Hz	S		
NLU10KK.1	105H6193	LBP	86	267	-	-	-	-	176	1.98	-	-	-	-	10.09	198-254 V, 50 Hz	S		
NLU11KK.1	105H6198	LBP	99	301	-	-	-	-	200	1.97	-	-	-	-	11.15	198-254 V, 50 Hz	S		
NLU13KK.1	105H6372	LBP	114	348	-	-	-	-	230	1.98	-	-	-	-	13.25	198-254 V, 50 Hz	S		

Electrical equipment

Dimensions						LST (RSIR & RSCR) refer to data sheet for more info					Run capacitor (RC)		HST (CSIR & CSR) *alt. cable lengths avail.			LST/HST	
Height [mm]		Connectors location / I.D. [mm]			alt. connectors available	PTC starting device		PTC starting device with RC connector		ePTC	→ optional → compulsory*		Starting relay	Starting capacitor	Starting device*	Cord relief	Cover
A	B	Suction C (I.D.)	Process D (I.D.)	Dis-charge E (I.D.)		Spades		Spades		Spades	Spades		Spades				
		6.3 mm	4.8 mm	6.3 mm		4.8 mm	4.8 mm	6.3 mm	4.8 mm	4.8 mm	6.3 mm	4.8 mm	6.3 mm	6.3 mm	6.3 mm		
137	135	6.2	6.2	5	-	-	-	103N0016	103N0021	-	117-7117 *	117-7119 *	-	-	-	103N1010	103N0491
163	159	6.2	6.2	5	X	103N0011	103N0018	103N0016	103N0021	103N0050	117-7117	117-7119	-	-	-	103N1010	103N2010
163	159	6.2	6.2	5	X	103N0011	103N0018	103N0016	103N0021	103N0050	117-7117	117-7119	-	-	-	103N1010	103N2010
163	159	6.2	4.5	5	X	103N0011	103N0018	103N0016	103N0021	103N0050	117-7117	117-7119	-	-	-	103N1010	103N2010
163	159	6.2	6.2	5	X	103N0011	103N0018	103N0016	103N0021	103N0050	117-7117	117-7119	-	-	-	103N1010	103N2010
163	159	6.2	6.2	5	X	103N0011	103N0018	103N0016	103N0021	103N0050	117-7117	117-7119	-	-	-	103N1010	103N2010
163	159	6.2	6.2	5	X	103N0011	103N0018	103N0016	103N0021	103N0050	117-7131	117-7132	-	-	-	103N1010	103N2010
163	159	6.2	6.2	5	X	103N0011	103N0018	103N0016	103N0021	103N0050	117-7117	117-7119	-	-	-	103N1010	103N2010
173	169	6.2	6.2	5	-	103N0011	103N0018	103N0016	103N0021	103N0050	117-7117	117-7119	-	-	-	103N1010	103N2010
173	169	6.2	6.2	5	-	103N0011	103N0018	103N0016	103N0021	103N0050	117-7117	117-7119	-	-	-	103N1010	103N2010
173	169	6.2	6.2	5	-	103N0011	103N0018	103N0016	103N0021	103N0050	117-7117	117-7119	-	-	-	103N1010	103N2010
190	183	6.2	6.2	5	-	103N0011	103N0018	103N0016	103N0021	103N0050	117-7117	117-7119	-	-	-	103N1010	103N2010
190	183	6.2	6.2	5	-	103N0011	103N0018	103N0016	103N0021	103N0050	117-7117	117-7119	-	-	-	103N1010	103N2010
190	183	6.2	6.2	5	X	103N0011	103N0018	103N0016	103N0021	103N0050	117-7117	117-7119	-	-	-	103N1010	103N2010
197	190	6.2	6.2	5	X	103N0011	103N0018	103N0016	103N0021	103N0050	117-7117	117-7119	-	-	-	103N1010	103N2010
197	190	6.2	6.2	5	X	103N0011	103N0018	103N0016	103N0021	-	117-7117	117-7119	-	-	-	103N1010	103N2010
197	190	6.2	6.2	5	-	103N0011	103N0018	103N0016	103N0021	-	117-7117	117-7119	-	-	-	103N1010	103N2010
203	197	6.2	6.2	5	-	103N0011	103N0018	103N0016	103N0021	103N0050	117-7117	117-7119	-	-	-	103N1010	103N2010
203	197	6.2	6.2	5	-	103N0011	103N0018	103N0016	103N0021	103N0050	117-7117	117-7119	-	-	-	103N1010	103N2010
203	197	6.2	6.2	5	-	103N0011	103N0018	103N0016	103N0021	103N0050	117-7117	117-7119	-	-	-	103N1010	103N2010
203	197	6.2	6.2	5	-	-	-	103N0016	103N0021	103N0050	117-7131 *	117-7132 *	-	-	-	103N1010	103N2010
203	197	6.2	6.2	5	-	-	-	103N0016	103N0021	103N0050	117-7117 *	117-7119 *	-	-	-	103N1010	103N2010
203	197	8.2	6.2	6.2	X	-	-	103N0016	103N0021	103N0050	117-7117 *	117-7119 *	-	-	-	103N1010	103N2010
203	197	6.2	6.2	5	-	-	-	-	103N0021	103N0050	-	117-7140 *	-	-	-	103N1010	103N2010
203	197	6.2	6.2	5	X	-	-	-	103N0021	103N0055	-	117-7139 *	-	-	-	103N1010	103N2010
203	197	6.2	6.2	5	X	-	-	-	103N0021	103N0055	-	117-7139 *	-	-	-	103N1010	103N2010
203	197	6.2	6.2	5	-	-	-	-	103N0021	103N0055	117-7131 *	117-7132 *	-	-	-	103N1010	103N2010



K-Series AA · R600a · 220–240 V · 50 Hz

Compressor	Code number	Application	ASHRAE Capacity [W] Tc=54.4°C, Tliq=32.2°C, Tsuc=32.2°C Evaporating temperature [°C]						ASHRAE						Displacement [cm³]	Voltage and frequencies [*dual frequency type with 50/60 Hz]	Compressor cooling cooling (refer to data sheet)		
			LBP rating point -23.3°C / 54.4°C		MBP rating point -6.7°C / 54.4°C		HBP rating point 7.2°C / 54.4°C		Cooling capacity		COP		Cooling capacity					COP	
			-35	-15	-5	0	10	15	[W]	[W/W]	[W]	[W/W]	[W]	[W/W]				[W]	[W/W]
HKK55AA	CD000039	LBP	39	145	224	-	-	-	93	1.71	188	2.29	-	-	5.60	187-264 V, 50 Hz	S		
HKK70AA	CD000040	LBP	54	180	276	-	-	-	117	1.74	233	2.26	-	-	6.60	187-264 V, 50 Hz	S		
HKK80AA	CD000041	LBP	67	207	316	-	-	-	136	1.77	266	2.29	-	-	8.10	187-264 V, 50 Hz	S		
HKK95AA	CD000042	LBP	84	251	376	-	-	-	168	1.80	318	2.28	-	-	9.60	187-264 V, 50 Hz	S		
HKK12AA	CD000043	LBP	100	291	428	-	-	-	199	1.80	363	2.25	-	-	11.20	187-264 V, 50 Hz	S		
HMK80AA	CD000165	LBP	67	206	314	-	-	-	136	1.50	265	1.99	-	-	8.10	187-264 V, 50 Hz	S		
HMK95AA	CD000164	LBP	81	252	381	-	-	-	167	1.53	322	2.01	-	-	9.60	187-264 V, 50 Hz	S		
HMK12AA	CD000163	LBP	99	291	425	-	-	-	198	1.53	361	1.93	-	-	11.20	187-264 V, 50 Hz	S		
HTK55AA	CD000034	LBP	39	146	225	-	-	-	93	1.55	190	2.12	-	-	5.60	187-264 V, 50 Hz	S		
HTK70AA	CD000035	LBP	53	181	267	-	-	-	117	1.61	227	2.29	-	-	6.60	187-264 V, 50 Hz	S		
HTK80AA	CD000036	LBP	67	207	316	-	-	-	136	1.61	266	2.19	-	-	8.10	187-264 V, 50 Hz	S		
HTK95AA	CD000037	LBP	86	251	382	-	-	-	167	1.64	322	2.14	-	-	9.60	187-264 V, 50 Hz	S		
HTK12AA	CD000038	LBP	99	290	426	-	-	-	198	1.64	361	2.06	-	-	11.20	187-264 V, 50 Hz	S		
HXK55AA	CD000045	LBP	44	148	224	-	-	-	97	1.83	189	2.32	-	-	5.60	187-264 V, 50 Hz	S		
HXK70AA	CD000110	LBP	57	181	277	-	-	-	118	1.86	233	2.35	-	-	6.64	187-264 V, 50 Hz	S		
HXK80AA	CD000096	LBP	71	210	316	-	-	-	140	1.90	267	2.38	-	-	8.10	187-264 V, 50 Hz	S		
HXK87AA	CD000103	LBP	79	230	349	-	-	-	154	1.90	294	2.52	-	-	8.80	187-264 V, 50 Hz	S		
HXK95AA	CD000085	LBP	89	254	380	-	-	-	171	1.91	321	2.39	-	-	9.60	187-264 V, 50 Hz	S		
HXK12AA	CD000095	LBP	100	295	434	-	-	-	200	1.90	368	2.37	-	-	11.10	187-264 V, 50 Hz	S		
HZK80AA	CD000094	LBP	71	210	316	-	-	-	140	1.97	267	2.48	-	-	8.10	187-264 V, 50 Hz	S		
HZK95AA	CD000078	LBP	85	254	376	-	-	-	171	1.99	319	2.54	-	-	9.60	187-264 V, 50 Hz	S		
HZK12AA	CD000077	LBP	102	293	430	-	-	-	200	1.98	365	2.50	-	-	11.10	187-264 V, 50 Hz	S		

Electrical equipment · Spare parts · Accessories

Dimensions						Run capacitor	Terminal board	Terminal board	Cable clamp	Cover	Evaporation tray	All-in-one equipment	
Height [mm]		Connectors location [mm]			alt. connectors available	→ optional → compulsory*	→ PTC → external protector	→ ePTC → external protector	screws not included	V0 material optional	plastic	→ cover → cable clamp + screws → earthing screw	
A	B	Suction C (I.D.)	Process D (O.D.)	Dis-charge E (I.D.)									Spades
						4.8 6.3 mm	4.8 mm	6.3 mm	4.8 mm				
159	-	6.15	6.00	5.15	X	2.5 µF *	ZHFF	DHFF	-	113410_	157595_	162991_	161680_
159	-	6.15	6.00	5.15	X	3 µF *	ZHF6	DHF6	-	113410_	157595_	162991_	161680_
159	-	6.15	6.00	5.15	X	3 µF *	ZHF4	DHF4	-	113410_	157595_	162991_	161680_
167	-	6.15	6.00	5.15	X	4 µF *	ZAF6	DAF6	-	113410_	157595_	162991_	161680_
167	-	6.15	6.00	5.15	X	4 µF *	ZAFP	DAFP	-	113410_	157595_	162991_	161680_
159	-	6.15	6.00	5.15	X	-	ZAF5	DAF5	-	113410_	157595_	162991_	161680_
159	-	6.15	6.00	5.15	X	-	ZAF5	DAF5	-	113410_	157595_	162991_	161680_
167	-	6.15	6.00	5.15	X	-	ZAFP	DAFP	-	113410_	157595_	162991_	161680_
159	-	6.15	6.00	5.15	X	2 µF	ZHF0	DHF0	-	113410_	157595_	162991_	161680_
159	-	6.15	6.00	5.15	X	3 µF	ZAF7	DAF7	-	113410_	157595_	162991_	161680_
159	-	6.15	6.00	5.15	X	3 µF	ZAF6	DAF6	-	113410_	157595_	162991_	161680_
167	-	6.15	6.00	5.15	X	4 µF	ZAF6	DAF6	-	113410_	157595_	162991_	161680_
159	-	6.15	6.00	5.15	X	3 µF *	ZAF6	DAF6	ZXF6	113410_	157595_	162991_	161680_
167	-	6.15	6.00	5.15	X	3 µF *	ZAF6	DAF6	ZXF6	113410_	157595_	162991_	161680_
167	-	6.15	6.00	5.15	X	3 µF *	ZAF4	DAF4	ZXF4	113410_	157595_	162991_	161680_
167	-	6.15	6.00	5.15	X	4 µF *	ZAF5	DAF5	ZXF5	113410_	157595_	162991_	161680_
167	-	6.15	6.00	5.15	X	4 µF *	ZAF5	DAF5	ZXF5	113410_	157595_	162991_	161680_
167	-	6.15	6.00	5.15	X	4 µF *	ZAFP	DAFP	ZXFP	113410_	157595_	162991_	161680_
167	-	6.15	6.00	5.15	X	3 µF *	-	-	ZXF4	113410_	157595_	162991_	161680_
170	-	6.15	6.00	5.15	X	4 µF *	-	-	ZXF5	113410_	157595_	162991_	161680_
170	-	6.15	6.00	5.15	X	4 µF *	-	-	ZXFP	113410_	157595_	162991_	161680_

K-Series AT · R600a · 200–240 V · 50/60 Hz

Compressor	Code number	Application	ASHRAE Capacity [W] Tc=54.4°C, Tliq=32.2°C, Tsuc=32.2°C Evaporating temperature [°C]						ASHRAE						Displacement [cm³]	Voltage and frequencies [*dual frequency type with 50/60 Hz]	Compressor cooling cooling (refer to data sheet)		
			LBP rating point -23.3°C / 54.4°C		MBP rating point -6.7°C / 54.4°C		HBP rating point 7.2°C / 54.4°C		Cooling capacity		COP		Cooling capacity					COP	
			-35	-15	-5	0	10	15	[W]	[W/W]	[W]	[W/W]	[W]	[W/W]				[W]	[W/W]
HXK70AT	CD000124	LBP	60	178	-	-	-	119	1.72	-	-	-	-	6.64	170-264 V, 50 Hz	S			
HXK80AT	CD000135	LBP	70	208	-	-	-	140	1.75	-	-	-	-	8.10	170-264 V, 50 Hz *	S			
HXK87AT	CD000136	LBP	89	229	-	-	-	154	1.75	-	-	-	-	8.80	170-264 V, 50 Hz *	S			
HXK95AT	CD000137	LBP	76	254	-	-	-	174	1.75	-	-	-	-	9.60	170-264 V, 50 Hz *	S			
HXK12AT	CD000219	LBP	115	295	-	-	-	198	1.73	-	-	-	-	11.12	170-264 V, 50 Hz *	S			
HXK13AT	CD000222	LBP	131	335	-	-	-	226	1.65	-	-	-	-	12.50	170-264 V, 50 Hz *	S			

Electrical equipment · Spare parts · Accessories

Dimensions						Run capacitor	Terminal board	Terminal board	Cable clamp	Cover	Evaporation tray	All-in-one equipment	
Height [mm]		Connectors location [mm]			alt. connectors available	→ optional → compulsory*	→ PTC → external protector	→ ePTC → external protector	screws not included	V0 material optional	plastic	→ cover → cable clamp + screws → earthing screw	
A	B	Suction C (I.D.)	Process D (O.D.)	Dis-charge E (I.D.)									Spades
						4.8 6.3 mm	4.8 mm	6.3 mm	4.8 mm				
167	-	6.15	6.00	5.15	X	4 µF	ZAF5	DAF5	-	113410_	157595_	162991_	161680_
167	-	6.15	6.00	5.15	X	4 µF	ZCF5	DCF5	-	113410_	157595_	162991_	161680_
167	-	6.15	6.00	5.15	X	4 µF	ZCF6	DCF6	-	113410_	157595_	162991_	161680_
167	-	6.15	6.00	5.15	X	4 µF	ZCFP	DCFP	-	113410_	157595_	162991_	161680_
167	-	6.15	6.00	5.15	X	4 µF	ZCF9	DCF9	-	113410_	157595_	162991_	161680_
167	-	6.15	6.00	5.15	X	4 µF	ZCF9	DCF9	-	113410_	157595_	162991_	161680_



HERMETIC COMPRESSORS HFC REFRIGERANTS



International System of Units

R134a · R513A
R404A · R452A

208–230 V · 60 Hz

220–240 V · 50/60 Hz

220–240 V · 50 Hz

200–240 V · 50 Hz

Compressor [*with oil cooler connector]	Code number	Application	ASHRAE Capacity [W] Tc=54.4°C, Tliq=32.2°C, Tsuc=32.2°C Evaporating temperature [°C]							ASHRAE						Displacement [cm³]	Voltage and frequencies [*dual frequency type with 50/60 Hz]	Compressor cooling [refer to data sheet]
										LBP rating point -23.3°C / 54.4°C		MBP rating point -6.7°C / 54.4°C		HBP rating point 7.2°C / 54.4°C				
			-35	-15	-5	0	10	15		Cooling capacity [W]	COP [W/W]	Cooling capacity [W]	COP [W/W]	Cooling capacity [W]	COP [W/W]			
PL20F	101G0100	MBP	-	45	81	103	-	-	24	0.55	66	1.08	-	-	1.41	198-254 V, 50 Hz	S	
PL50F	101G0220	LBP	18	92	-	-	-	-	56	0.89	-	-	-	-	2.50	198-254 V, 50 Hz	S	
PL50F	101G0222	MBP	-	92	149	184	-	-	56	0.92	123	1.37	-	-	2.50	198-254 V, 50 Hz	F1	
PL50F	101G0223	MBP	-	92	149	184	-	-	56	0.92	123	1.37	-	-	2.50	198-254 V, 50 Hz	F1	
TL2.5F	102G4200	L/MBP	-	81	136	170	-	-	46	0.80	112	1.31	-	-	2.61	198-254 V, 50 Hz	S	
TL3F	102G4300	L/MBP	-	101	171	214	-	-	59	0.85	141	1.32	-	-	3.13	198-254 V, 50 Hz	S	
TL4F	102G4400	LBP	38	133	-	-	-	-	84	0.98	-	-	-	-	3.86	198-254 V, 50 Hz	S	
TL5F	102G4501	LBP	53	178	-	-	-	-	113	1.06	-	-	-	-	5.08	198-254 V, 50 Hz	S	
TL55F	102G4520	LBP	59	210	-	-	-	-	134	1.15	-	-	-	-	5.08	198-254 V, 50 Hz	S	
TL56F	102G4620	LBP	72	227	-	-	-	-	143	1.14	-	-	-	-	5.70	198-254 V, 50 Hz	S	
TL57F	102G4720	LBP	82	257	-	-	-	-	164	1.15	-	-	-	-	6.49	198-254 V, 50 Hz	S	
TLES3F	102G4310	L/MBP	-	115	192	240	-	-	70	1.07	158	1.57	-	-	3.13	198-254 V, 50 Hz	S	
TLES4F	102G4410	LBP	41	154	-	-	-	-	97	1.16	-	-	-	-	3.86	198-254 V, 50 Hz	S	
TLES5F	102G4510	LBP	62	210	-	-	-	-	134	1.22	-	-	-	-	5.08	198-254 V, 50 Hz	S	
TLES6F	102G4610	LBP	72	227	-	-	-	-	143	1.20	-	-	-	-	5.70	198-254 V, 50 Hz	S	
TLES5.7FT.3	102G4573	LBP	82	248	-	-	-	-	163	1.30	-	-	-	-	5.70	187-254 V, 50 Hz	S	
TLES6FT.3	102G4609	LBP	82	248	-	-	-	-	163	1.30	-	-	-	-	5.70	187-254 V, 50 Hz	S	
TFS4.5FT	102G4433	LBP	56	193	309	-	-	-	123	1.12	256	1.65	-	-	4.63	176-242 V, 50 Hz	S	
TLS3FT	102G4325	LBP	26	115	-	-	-	-	69	1.07	-	-	-	-	3.13	187-254 V, 50 Hz	S	
TLS4FT	102G4424	LBP	34	145	-	-	-	-	88	0.97	-	-	-	-	3.86	187-254 V, 50 Hz	S	
TLS5FT	102G4524	LBP	59	210	-	-	-	-	134	1.12	-	-	-	-	5.08	187-254 V, 50 Hz	S	
NL6F	105G6606	LBP	64	247	-	-	-	-	152	1.22	-	-	-	-	6.13	198-254 V, 50 Hz	S	
NL7F	105G6706	LBP	87	294	-	-	-	-	187	1.21	-	-	-	-	7.27	198-254 V, 50 Hz	S	
NL8F	105G6822	LBP	100	307	-	-	-	-	201	1.24	-	-	-	-	7.95	198-254 V, 50 Hz	S	
NL9F	105G6802	LBP	92	332	-	-	-	-	213	1.21	-	-	-	-	8.35	198-254 V, 50 Hz	S	
NLE9F	105G6805	LBP	101	335	-	-	-	-	211	1.33	-	-	-	-	8.35	198-254 V, 50 Hz	S	
NL11F	105G6900	LBP	126	435	-	-	-	-	274	1.22	-	-	-	-	11.15	198-254 V, 50 Hz	F2	
NF9FX	105G6841	L/MBP	113	356	575	715	-	-	229	1.09	475	1.59	856	2.28	8.34	198-242 V, 50 Hz	F1	
NF11FX	105G6944	L/MBP	141	454	725	898	-	-	294	0.97	600	1.41	1070	2.02	11.15	198-242 V, 50 Hz	F2	
NL6.1FT	105G6620	LBP	74	245	-	-	-	-	157	1.21	-	-	-	-	6.13	187-254 V, 50 Hz	S	
NL7FT	105G6718	LBP	88	290	-	-	-	-	186	1.22	-	-	-	-	7.27	187-254 V, 50 Hz	S	
NL7.3FT	105G6726	LBP	88	290	-	-	-	-	186	1.22	-	-	-	-	7.27	187-254 V, 50 Hz	S	
NL8.4FT	105G6055	LBP	107	340	-	-	-	-	220	1.23	-	-	-	-	8.35	187-254 V, 50 Hz	F1	
NL9FT	105G6828	LBP	107	340	-	-	-	-	220	1.23	-	-	-	-	8.35	187-254 V, 50 Hz	S	
NL10FT	105G6188	LBP	141	434	-	-	-	-	284	1.25	-	-	-	-	10.09	187-254 V, 50 Hz	S	
NL11MF	105G6156	M/HBP	-	471	756	938	1400	1687	-	-	626	1.61	1121	2.19	11.15	187-254 V, 50 Hz	F2	
NLE10MF	105G6888	MBP	110	425	687	854	-	-	268	1.28	568	1.71	1023	2.32	10.09	198-254 V, 50 Hz	F1	
NLE10MF.2	105G6187	L/MBP	116	457	735	914	1372	-	290	1.45	608	1.94	1097	2.61	10.09	198-254 V, 50 Hz	F2	
NLE11MF.2	105G6197	MBP	-	513	821	1018	1509	-	331	1.41	680	1.88	1211	2.50	11.15	198-242 V, 50 Hz	F2	
FR11G	103G6980	L/M/HBP	-	380	621	780	-	-	236	1.10	513	1.50	-	-	11.15	187-254 V, 50 Hz	F1	
SC15F	104G8500	LBP	126	545	901	-	-	-	324	1.11	745	1.59	-	-	15.28	198-254 V, 50 Hz	F1	
SC15MFX	104G8501	MBP	-	569	951	1185	1749	-	326	1.10	785	1.66	1408	2.31	15.28	198-254 V, 50 Hz	F2	
SC18F	104G8800	LBP	159	640	1041	-	-	-	389	1.17	863	1.62	-	-	17.69	198-254 V, 50 Hz	F1	
SC10GHH*	104G8071	HBP	-	321	580	750	1173	1426	-	-	472	1.69	931	2.62	10.29	198-254 V, 50 Hz	F1	
SC15GHH*	104G8571	HBP	-	533	897	1128	1746	2154	-	-	739	1.84	1382	2.66	15.28	198-254 V, 50 Hz	F1	
SC18GH	104G8860	HBP	-	666	1061	1338	2048	2482	-	-	875	1.62	1632	2.27	17.69	198-254 V, 50 Hz	F2	
SC21F	104G8100	LBP	228	742	1218	-	-	-	458	1.14	1007	1.54	-	-	20.95	198-254 V, 50 Hz	F1	
SC21FTX	104G8105	LBP	241	884	1391	-	-	-	569	1.27	1156	1.76	-	-	20.95	187-254 V, 50 Hz	F2	
SC21MFX	104G8120	MBP	-	819	1304	1616	2408	-	532	1.21	1081	1.65	1929	2.30	20.95	187-254 V, 50 Hz	F2	
SCE21MFX	104G8150	MBP	-	817	1371	1714	-	-	480	1.29	1130	1.82	2043	2.37	20.95	198-244 V, 50 Hz	F2	
SC12/12G	104G8280	L/M/HBP	162	865	1498	1907	2942	3582	497	1.03	1228	1.60	2340	2.29	25.74	187-254 V, 50 Hz	F2	
SC15/15G	104G8580	L/M/HBP	-	1054	1808	2255	3338	3996	521	1.01	1491	1.56	2682	2.20	30.56	187-254 V, 50 Hz	F2	
SC18/18G	104G8880	L/M/HBP	-	1298	2150	2688	4026	4843	782	1.12	1774	1.63	3225	2.24	35.38	187-254 V, 50 Hz	F2	
SC21/21G	104G8180	L/M/HBP	-	1508	2520	3156	4704	5621	921	1.13	2076	1.67	3777	2.29	41.90	187-254 V, 50 Hz	F2	
GS26GHX	107B0702	HBP	-	1087	1746	2172	3268	3960	-	-	1445	1.79	2611	2.50	26.30	198-254 V, 50 Hz	F2	
GS26MFX	107B0700	MBP	-	1078	1747	2170	-	-	-	-	1446	1.82	-	-	26.30	198-254 V, 50 Hz	F2	
GS34MFX	107B0701	MBP	-	1400	2284	2848	-	-	-	-	1888	1.80	3424	2.44	33.80	198-254 V, 50 Hz	F2	
GS26MFX	107B0700	MBP	-	1078	1747	2170	-	-	-	-	1446	1.82	-	-	26.30	198-254 V, 50 Hz	F2	
GS34MFX	107B0701	MBP	-	1400	2284	2848	-	-	-	-	1888	1.80	3424	2.44	33.80	198-254 V, 50 Hz	F2	

● Alternative refrigerant R513A, please refer to our data sheets

Dimensions						LST (RSIR & RSCR) refer to data sheet for more info					Run capacitor (RC)		HST (CSIR & CSR) *alt. cable lengths avail.			LST/HST			
Height [mm]	Connectors location/I.D. [mm]					PTC starting device	PTC starting device with RC connector		ePTC	→ optional → compulsory*		Starting relay	Starting capacitor	Starting device*	Cord relief	Cover			
	A	B	alt. connectors available				Spades			Spades	Spades						Spades		
			Suction C (I.D.)	Process D (I.D.)	Dis- charge E (I.D.)		6.3 mm	4.8 mm			6.3 mm						4.8 mm	6.3 mm	6.3 mm
129	127	6.2	6.2	5	-	103N0011	103N0018	-	-	-	-	-	-	-	103N1010	103N0491			
137	135	6.2	6.2	5	-	103N0011	103N0018	-	-	-	-	-	-	-	103N1010	103N0491			
137	135	6.2	6.2	5	-	-	-	-	-	-	117U6021	117U5014	-	-	103N1010	103N0491			
137	135	6.5	6.5	5	-	-	-	-	-	-	117U6021	117U5014	-	-	103N1010	103N0491			
163	159	6.2	6.2	5	X	103N0011	103N0018	-	-	-	-	-	-	-	103N1010	103N2010			
163	159	6.2	6.2	5	-	103N0011	103N0018	-	-	-	-	-	-	-	103N1010	103N2010			
163	159	6.2	6.2	5	-	103N0011	103N0018	-	-	-	-	-	-	-	103N1010	103N2010			
173	169	6.2	6.2	5	-	103N0011	103N0018	-	-	-	-	-	-	-	103N1010	103N2010			
173	169	6.2	6.2	5	-	103N0011	103N0018	-	-	-	-	-	-	-	103N1010	103N2010			
173	169	6.2	6.2	5	-	103N0011	103N0018	-	-	-	-	-	-	-	103N1010	103N2010			
173	169	6.2	6.2	5	-	103N0011	103N0018	103N0016	103N0021	-	117-7117	117-7119	117U6000	117U5014	-	103N1010	103N2010		
173	169	6.2	6.2	5	-	103N0011	103N0018	103N0016	103N0021	-	117-7117	117-7119	-	-	-	103N1010	103N2010		
173	169	6.2	6.2	5	-	103N0011	103N0018	103N0016	103N0021	-	117-7117	117-7119	-	-	-	103N1010	103N2010		
173	169	6.2	6.2	5	X	103N0011	103N0018	103N0016	103N0021	103N0050	117-7117	117-7119	117U6004	117U5014	-	103N1010	103N2010		
173	169	6.2	6.2	5	-	103N0011	103N0018	103N0016	103N0021	103N0050	117-7117	117-7119	117U6004	117U5014	-	103N1010	103N2010		
173	169	6.5	6.5	5	X	-	-	-	-	-	-	-	-	-	-	117U0349	117U1023		
173	169	6.2	6.2																

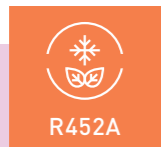
Compressor	Code number	Application	ASHRAE Capacity [W] Tc=54.4°C, Tliq=32.2°C, Tsuc=32.2°C Evaporating temperature [°C]							ASHRAE						Displacement [cm³]	Voltage and frequencies [*dual frequency type with 50/60 Hz]	Compressor cooling [refer to data sheet]
										LBP rating point -23.3°C / 54.4°C		MBP rating point -6.7°C / 54.4°C		HBP rating point 7.2°C / 54.4°C				
			-35	-15	-5	0	10	15	Cooling capacity [W]	COP [W/W]	Cooling capacity [W]	COP [W/W]	Cooling capacity [W]	COP [W/W]				
TL4CL	102U2071	LBP	75	240	390	-	-	-	152	1.03	310	1.39	-	-	3.86	198-254 V, 50 Hz	F2	
NL7CLX	105F3710	LBP	200	576	876	-	-	-	388	1.31	704	1.60	-	-	7.27	198-254 V, 50 Hz	F2	
NL8.4CLX	105F3800	LBP	218	627	953	-	-	-	422	1.28	765	1.54	-	-	8.35	198-254 V, 50 Hz	F2	
NL9CLX	105F3802	LBP	236	674	-	-	-	-	457	1.34	-	-	-	-	8.35	198-254 V, 50 Hz	F2	
FR6CL	103U2670	LBP	149	393	605	-	-	-	268	1.04	484	1.19	-	-	6.23	198-254 V, 50 Hz	F2	
FR6DL	103U2680	M/HBP	-	403	599	730	1058	-	-	-	481	1.20	819	1.57	6.23	198-254 V, 50 Hz	F2	
FR7.5CL	103U2790	LBP	158	433	657	-	-	-	294	1.03	528	1.15	-	-	6.93	198-254 V, 50 Hz	F2	
FR8.5CL	103U2890	LBP	171	492	-	-	-	-	332	0.98	-	-	-	-	7.95	198-254 V, 50 Hz	F2	
SC10CL	104L2523	LBP	116	615	1014	-	-	-	366	1.10	811	1.43	-	-	10.29	198-254 V, 50 Hz	F2	
SC10DL	104L2525	M/HBP	-	644	1051	1300	1916	2295	-	-	837	1.51	1478	2.15	10.29	198-254 V, 50 Hz	F2	
SC12CL	104L2623	LBP	165	857	1397	-	-	-	516	1.10	1112	1.50	-	-	12.87	198-254 V, 50 Hz	F2	
SC12DL	104L2625	M/HBP	-	865	1407	1728	2508	2984	-	-	1122	1.57	1942	2.26	12.87	198-254 V, 50 Hz	F2	
SC15CL	104L2853	LBP	180	1101	1678	-	-	-	697	1.20	1349	1.50	-	-	15.28	198-254 V, 50 Hz	F2	
SC15CLX.2	104L2896	LBP	339	1097	-	-	-	-	724	1.18	-	-	-	-	15.28	198-254 V, 50 Hz	F2	
SC15DL	104L2856	M/HBP	-	1034	1641	2012	2928	3492	-	-	1311	1.56	2265	2.25	15.28	198-254 V, 50 Hz	F2	
SC15MLX	104L2869	MBP	-	1117	1718	2102	-	-	762	1.20	1375	1.56	2371	2.16	15.28	198-254 V, 50 Hz	F2	
SC18CL	104L2123	LBP	374	1220	1882	-	-	-	803	1.22	1508	1.50	-	-	17.69	198-254 V, 50 Hz	F2	
SC18CLX.2	104L2197	LBP	415	1343	-	-	-	-	886	1.20	-	-	-	-	17.69	198-254 V, 50 Hz	F2	
SC18MLX	104L2139	MBP	-	1306	2001	2446	-	-	894	1.27	1603	1.64	2757	2.27	17.69	198-254 V, 50 Hz	F2	
SC18MLX.3	104L2146	MBP	-	1384	2097	2552	-	-	959	1.34	1683	1.67	2862	2.28	17.68	198-254 V, 50 Hz	F2	
SC21CL	104L2322	LBP	442	1386	-	-	-	-	905	1.18	-	-	-	-	20.95	198-254 V, 50 Hz	F2	
SC10/10CL	104L4087	LBP	264	1327	2157	-	-	-	803	1.13	1717	1.45	-	-	20.58	198-254 V, 50 Hz	F2	
SC10/10DL	104L4091	M/HBP	-	1288	2103	2601	3832	4590	-	-	1674	1.51	2955	2.15	20.58	198-254 V, 50 Hz	F2	
SC12/12CL	104L4088	LBP	330	1715	2794	-	-	-	1032	1.10	2224	1.50	-	-	25.74	198-254 V, 50 Hz	F2	
SC12/12DL	104L4092	M/HBP	-	1730	2814	3456	5016	5967	-	-	2244	1.57	3885	2.26	25.74	198-254 V, 50 Hz	F2	
SC15/15CL	104L4089	LBP	360	2202	3356	-	-	-	1395	1.20	2699	1.50	-	-	30.56	198-254 V, 50 Hz	F2	
SC15/15DL	104L4093	M/HBP	-	2068	3282	4024	5856	6983	-	-	2622	1.56	4529	2.25	30.56	198-254 V, 50 Hz	F2	
SC18/18CL	104L4090	LBP	748	2440	3762	-	-	-	1606	1.22	3016	1.50	-	-	35.38	198-254 V, 50 Hz	F2	
SC18/18CLX.2	104L4035	LBP	823	2670	-	-	-	-	1761	1.20	-	-	-	-	35.36	198-254 V, 50 Hz	F2	
SC18/18MLX	104L4100	MBP	748	2440	3762	-	-	-	1606	1.22	3016	1.50	-	-	35.38	198-254 V, 50 Hz	F2	
SC21/21CL	104L4094	LBP	884	2773	-	-	-	-	1810	1.18	-	-	-	-	41.90	198-254 V, 50 Hz	F2	
GS21MLX	107B0502	MBP	-	1578	2486	3070	-	-	-	-	1984	1.79	3514	2.53	21.20	198-254 V, 50 Hz	F2	
GS26CLX	107B0500	LBP	614	2017	-	-	-	-	1323	1.35	-	-	-	-	26.30	198-254 V, 50 Hz	F2	
GS26MLX	107B0503	MBP	-	1925	2987	3643	-	-	1239	1.33	2392	1.72	4085	2.34	26.30	198-254 V, 50 Hz	F2	
GS34CLX	107B0501	LBP	943	2874	4412	-	-	-	1917	1.45	3537	1.74	-	-	33.80	198-254 V, 50 Hz	F2	

Electrical equipment

Dimensions					LST (RSIR & RSCR) refer to data sheet for more info					Run capacitor (RC)		HST (CSIR & CSR) *alt. cable lengths avail.			LST/HST			
Height [mm]		Connectors location / I.D. [mm]			alt. connectors available	PTC starting device		PTC starting device with RC connector		ePTC	→ optional → compulsory*		Starting relay	Starting capacitor	Starting device*	Cord relief	Cover	
A	B	Suction C (I.D.)	Process D (I.D.)	Dis-charge E (I.D.)		Spades		Spades		Spades	Spades		Spades					
		6.3 mm	4.8 mm	6.3 mm	4.8 mm	4.8 mm	6.3 mm		4.8 mm	6.3 mm		4.8 mm	6.3 mm	6.3 mm	6.3 mm			
173	169	6.2	6.2	5	-	-	-	-	-	-	-	-	117U6000	117U5014	-	103N1010	103N2010	
203	197	8.2	6.2	6.2	X	-	-	-	-	-	-	-	117U6002	117U5015	-	103N1010	103N2010	
203	197	8.2	6.2	6.2	X	103N0011	103N0018	-	-	-	-	-	117U6003	117U5015	-	103N1010	103N2010	
203	197	8.2	6.2	6.2	-	-	-	-	-	-	-	-	117U6003	117U5015	-	103N1010	103N2010	
196	191	8.2	6.2	6.2	X	-	-	-	-	-	-	-	117U6015	117U5015	-	103N1010	103N2010	
196	191	8.2	6.2	6.2	-	-	-	-	-	-	-	-	117U6010	117U5015	-	103N1010	103N2010	
196	191	8.2	6.2	6.2	-	-	-	-	-	-	-	-	117U6016	117U5015	-	103N1010	103N2010	
196	191	8.2	6.2	6.2	X	-	-	-	-	-	-	-	117U6010	117U5015	-	103N1010	103N2010	
209	203	8.2	6.2	6.2	X	-	-	-	-	-	-	-	117U6003	117U5017	-	103N1004	103N2009	
209	203	8.2	6.2	6.2	X	-	-	-	-	-	-	-	117U6005	117U5017	-	103N1004	103N2009	
209	203	8.2	6.2	6.2	X	-	-	-	-	-	-	-	117U6005	117U5017	-	103N1004	103N2009	
219	213	10.2	6.2	6.2	X	-	-	-	-	-	-	-	117U6019	117U5017	-	103N1004	103N2009	
219	213	10.2	6.2	6.2	X	-	-	-	-	-	-	-	117U6019	117U5017	-	103N1004	103N2009	
219	213	10.2	6.2	6.2	X	-	-	-	-	-	-	-	117U6019	117U5017	-	103N1004	103N2009	
219	213	10.2	6.2	6.2	X	-	-	-	-	-	-	-	117U6019	117U5017	-	103N1004	103N2009	
219	213	10.2	6.2	6.2	-	-	-	-	-	-	-	-	117U5373	117-7029	103N1004	103N2009		
219	213	10.2	6.2	6.2	-	-	-	-	-	-	-	-	117U6013	117U5012	-	103N1004	103N2009	
219	213	10.2	6.2	6.2	X	-	-	-	-	-	-	-	117U5373	117-7027	103N1004	103N2009		
219	213	10.2	6.2	6.2	X	-	-	-	-	-	-	-	117U6013	117U5012	-	103N1004	103N2009	
219	213	10.2	6.2	6.2	-	-	-	-	-	-	-	-	117U5373	117-7027	103N1004	103N2009		
219	213	10.2	6.2	6.2	-	-	-	-	-	-	-	-	117-7027	103N1004	103N2009			
219	213	10.2	6.2	6.2	X	-	-	-	-	-	-	-	117U5373	117-7027	103N1004	103N2009		
249	244	12	6.2	6.2	-	-	-	-	-	-	-	-	117U6003	117U5017	-	103N1004	103N2009	
249	244	12	6.2	6.2	-	-	-	-	-	-	-	-	117U6005	117U5017	-	103N1004	103N2009	
249	244	12	6.2	6.2	-	-	-	-	-	-	-	-	117U6005	117U5017	-	103N1004	103N2009	
259	254	12	6.2	6.2	-	-	-	-	-	-	-	-	117U6019	117U5017	-	103N1004	103N2009	
259	254	12	6.2	6.2	X	-	-	-	-	-	-	-	117U6019	117U5017	-	103N1004	103N2009	
259	254	16	6.2	6.2	-	-	-	-	-	-	-	-	-	-	117U5373	117-7029	103N1004	103N2009
259	254	16	6.2	6.2	-	-	-	-	-	-	-	-	-	-	117-7027	103N1004	103N2009	
259	254	12	6.2	6.2	-	-	-	-	-	-	-	-	117U6013	117U5012	-	103N1004	103N2009	
259	254	10.2	6.2	6.2	-	-	-	-	-	-	-	-	117U5373	117-7027	103N1004	103N2009		
259	254	16	6.2	6.2	-	-	-	-	-	-	-	-	117U5373	117-7027	103N1004	103N2009		
259	247	16.1	6.5	9.7	-	-	-	-	-	-	-	-	-	-	117-7070	-	107B9101	
259	247	12.9	6.5	8.2	-	-	-	-	-	-	-	-	-	-	117-7056	-	107B9101	
279	267	16.1	6.5	9.7	-	-	-	-	-	-	-	-	-	-	117-7072	-	107B9101	
279	267	12.9	6.5	8.2	X	-	-	-	-	-	-	-	-	-	117-7074	-	107B9101	



● Alternative refrigerant R452A, please refer to our data sheets



R452A

R404A/R507 · 220–240 V · 50/60 Hz | 208–230 V · 60 Hz

Compressor	Code number	Application	ASHRAE Capacity [W] Tc=54.4°C, Tliq=32.2°C, Tsuc=32.2°C Evaporating temperature [°C]					ASHRAE						Displacement [cm³]	Voltage and frequencies [*dual frequency type with 50/60 Hz]	Compressor cooling cooling [refer to data sheet]	
			LBP rating point -23.3°C / 54.4°C		MBP rating point -6.7°C / 54.4°C		HBP rating point 7.2°C / 54.4°C		Cooling capacity		COP						
			-35	-15	-5	0	10	15	[W]	[W/W]	[W]	[W/W]	[W]				[W/W]
NF7MLX	105F3720	MBP	-	547	851	1039	1503	-	-	682	1.49	1164	2.12	7.27	187-254 V, 50 Hz *	F2	
NL6.1MLX	105F3611	MBP	-	455	711	869	-	-	291	1.14	569	1.61	975	2.31	6.13	187-254 V, 50 Hz *	F2
SC10CLX	104L2533	L/MBP	130	655	1064	-	-	-	396	1.11	847	1.51	-	-	10.29	198-254 V, 50 Hz *	F2
SC10MLX	104L2506	MBP	-	722	1127	1380	-	-	-	-	902	1.54	1553	2.18	10.29	187-254 V, 50 Hz *	F2
SC12CLX	104L2695	LBP	226	1097	-	-	-	-	698	1.23	-	-	-	-	12.87	198-254 V, 60 Hz	F2
SC12CLX.2	104L2699	LBP	317	1085	-	-	-	-	707	1.27	-	-	-	-	12.87	187-254 V, 60 Hz	F2
SC12CLX.2	104L2697	LBP	278	899	-	-	-	-	593	1.15	-	-	-	-	12.87	198-254 V, 50 Hz *	F2
SC12MLX	104L2606	MBP	-	886	1369	1670	-	-	584	1.15	1096	1.56	1873	2.18	12.87	187-254 V, 50 Hz *	F2
SC15CLX	104L2854	LBP	235	1213	-	-	-	-	774	1.23	-	-	-	-	15.28	198-254 V, 60 Hz	F2
SC15CLX.2	104L2897	LBP	413	1337	-	-	-	-	882	1.33	-	-	-	-	15.28	187-254 V, 60 Hz	F2
SC15MLX.2	104L2803	MBP	-	1233	1896	2320	-	-	841	1.20	1518	1.56	2617	2.16	15.28	187-254 V, 60 Hz	F2
SC18CLX.2	104L2195	LBP	520	1554	-	-	-	-	1114	1.39	-	-	-	-	17.69	187-254 V, 60 Hz	F2
SC18MLX	104L2138	MBP	-	1521	2328	2839	-	-	1033	1.18	1866	1.47	3186	1.99	17.69	187-254 V, 60 Hz	F2
SC12/12CLX	104L4034	LBP	450	2182	-	-	-	-	1389	1.23	-	-	-	-	25.74	198-254 V, 60 Hz	F2
GS21CLX	107B0506	LBP	584	1918	-	-	-	-	1258	1.35	-	-	-	-	21.20	187-254 V, 60 Hz	F2
GS21MLX	107B0509	MBP	-	2043	3134	3819	-	-	1345	1.46	2513	1.86	4293	2.55	21.20	187-254 V, 60 Hz	F2
GS26CLX	107B0505	LBP	719	2114	-	-	-	-	1425	1.21	-	-	-	-	26.30	187-254 V, 60 Hz	F2

Electrical equipment

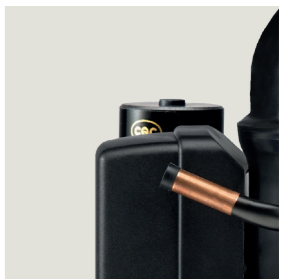
Dimensions						LST (RSIR & RSCR) refer to data sheet for more info				Run capacitor (RC)		HST (CSIR & CSR) *alt. cable lengths avail.			LST/HST		
Height [mm]		Connectors location / I.D. [mm]			alt. connectors available	PTC starting device		PTC starting device with RC connector		ePTC	→ optional → compulsory*		Starting relay	Starting capacitor	Starting device*	Cord relief	Cover
A	B	Suction C (I.D.)	Process D (I.D.)	Dis-charge E (I.D.)		Spades		Spades		Spades	Spades		Spades				
		6.3 mm	4.8 mm	6.3 mm	4.8 mm	4.8 mm	6.3 mm 4.8 mm		4.8 mm	6.3 mm 4.8 mm		6.3 mm	6.3 mm	6.3 mm			
203	197	9.7	6.5	6.5	X	-	-	-	-	-	-	-	117U4139	117U5018	-	117U0349	117U1021
203	197	8.2	6.5	6.5	X	-	-	-	-	-	-	-	117U6022	117U5015	-	103N1010	103N2011
209	203	8.2	6.2	6.2	X	-	-	-	-	-	-	-	117U6005	117U5017	-	103N1004	103N2008
209	203	8.2	6.5	6.5	-	-	-	-	-	-	-	-	117U6011	117U5017	-	103N1004	103N2008
219	213	8.2	6.2	6.2	X	-	-	-	-	-	-	-	117U6019	117U5017	-	103N1004	103N2008
219	213	9.63	6.5	6.5	X	-	-	-	-	-	-	-	-	-	117-7027	103N1004	103N2008
219	213	8.2	6.2	6.2	X	-	-	-	-	-	-	-	117U6019	117U5017	-	103N1004	103N2008
219	213	8.2	6.5	6.5	-	-	-	-	-	-	-	-	117U6011	117U5017	-	103N1004	103N2008
219	213	10.2	6.2	6.2	-	-	-	-	-	-	-	-	-	117U5373	117-7039	103N1004	103N2008
219	213	9.63	6.5	6.5	X	-	-	-	-	-	-	-	-	117U5373	117-7039	103N1004	103N2008
219	213	9.63	6.5	6.5	-	-	-	-	-	-	-	-	-	-	117-7058	103N1004	103N2008
219	213	9.63	6.5	6.5	X	-	-	-	-	-	-	-	117U5373	117-7066	103N1004	103N2008	
219	213	9.63	6.5	6.5	-	-	-	-	-	-	-	-	-	117-7066	103N1004	103N2008	
259	254	12	6.2	6.2	-	-	-	-	-	-	-	-	117U6019	117U5017	-	103N1004	103N2009
259	247	12.9	6.5	8.2	-	-	-	-	-	-	-	-	-	-	117-7073	-	107B9101
279	267	12.9	6.5	9.7	-	-	-	-	-	-	-	-	-	-	117-7073	-	107B9106
279	267	12.9	6.5	8.2	-	-	-	-	-	-	-	-	-	-	117-7073	-	107B9101

R407C · 220–240 V · 50 Hz

Compressor	Code number	Application	ASHRAE Capacity [W] Tc=54.4°C, Tliq=32.2°C, Tsuc=32.2°C Evaporating temperature [°C]					ASHRAE						Displacement [cm³]	Voltage and frequencies [*dual frequency type with 50/60 Hz]	Compressor cooling cooling [refer to data sheet]	
			LBP rating point -23.3°C / 54.4°C		MBP rating point -6.7°C / 54.4°C		HBP rating point 7.2°C / 54.4°C		Cooling capacity		COP						
			-35	-15	-5	0	10	15	[W]	[W/W]	[W]	[W/W]	[W]				[W/W]
SC10DL	104L2525	M/HBP	-	469	842	1074	1653	2013	-	-	685	1.57	1308	2.32	10.29	198-254 V, 50 Hz	F2
SC12DL	104L2625	M/HBP	-	621	1087	1385	2144	2620	-	-	886	1.58	1692	2.38	12.87	198-254 V, 50 Hz	F2
SC15DL	104L2856	M/HBP	-	782	1351	1709	2612	3174	-	-	1104	1.70	2069	2.59	15.28	198-254 V, 50 Hz	F2
SC10/10DL	104L4091	M/HBP	-	937	1685	2148	3307	4026	-	-	1371	1.57	2615	2.32	20.58	198-254 V, 50 Hz	F2
SC12/12DL	104L4092	M/HBP	-	1241	2174	2769	4287	5239	-	-	1772	1.58	3384	2.38	25.74	198-254 V, 50 Hz	F2
SC15/15DL	104L4093	M/HBP	-	1563	2703	3419	5224	6348	-	-	2208	1.70	4137	2.59	30.56	198-254 V, 50 Hz	F2

Electrical equipment

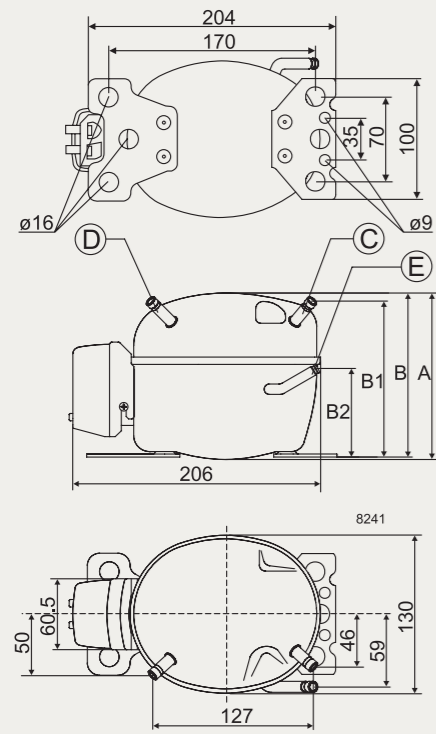
Dimensions						LST (RSIR & RSCR) refer to data sheet for more info				Run capacitor (RC)		HST (CSIR & CSR) *alt. cable lengths avail.			LST/HST		
Height [mm]		Connectors location / I.D. [mm]			alt. connectors available	PTC starting device		PTC starting device with RC connector		ePTC	→ optional → compulsory*		Starting relay	Starting capacitor	Starting device*	Cord relief	Cover
A	B	Suction C (I.D.)	Process D (I.D.)	Dis-charge E (I.D.)		Spades		Spades		Spades	Spades		Spades				
		6.3 mm	4.8 mm	6.3 mm	4.8 mm	4.8 mm	6.3 mm 4.8 mm		4.8 mm	6.3 mm 4.8 mm		6.3 mm	6.3 mm	6.3 mm			
209	203	8.2	6.2	6.2	X	-	-	-	-	-	-	-	117U6005	117U5017	-	103N1004	103N2009
219	213	10.2	6.2	6.2	X	-	-	-	-	-	-	-	117U6019	117U5017	-	103N1004	103N2009
219	213	10.2	6.2	6.2	X	-	-	-	-	-	-	-	-	117U5373	117-7029	103N1004	103N2009
249	244	12	6.2	6.2	-	-	-	-	-	-	-	-	117U6005	117U5017	-	103N1004	103N2009
259	254	12	6.2	6.2	-	-	-	-	-	-	-	-	117U6019	117U5017	-	103N1004	103N2009
259	254	16	6.2	6.2	-	-	-	-	-	-	-	-	-	117U5373	117-7029	103N1004	103N2009



● Alternative refrigerant R452A, please refer to our data sheets



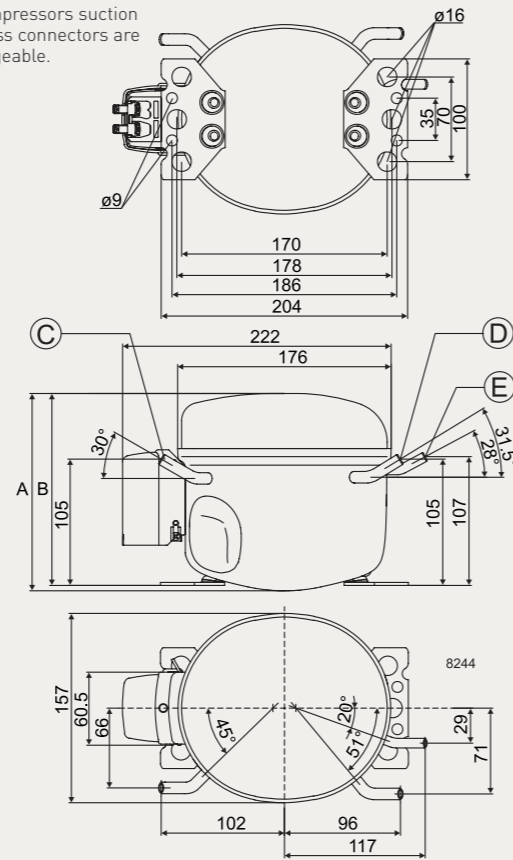
PL / PLE



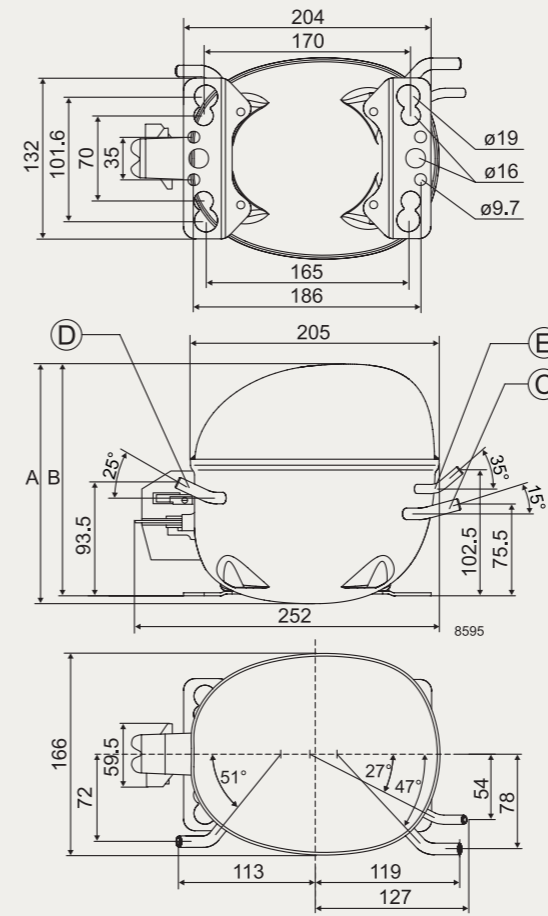
TL / TLS / TLES (TFS similar)

Note:

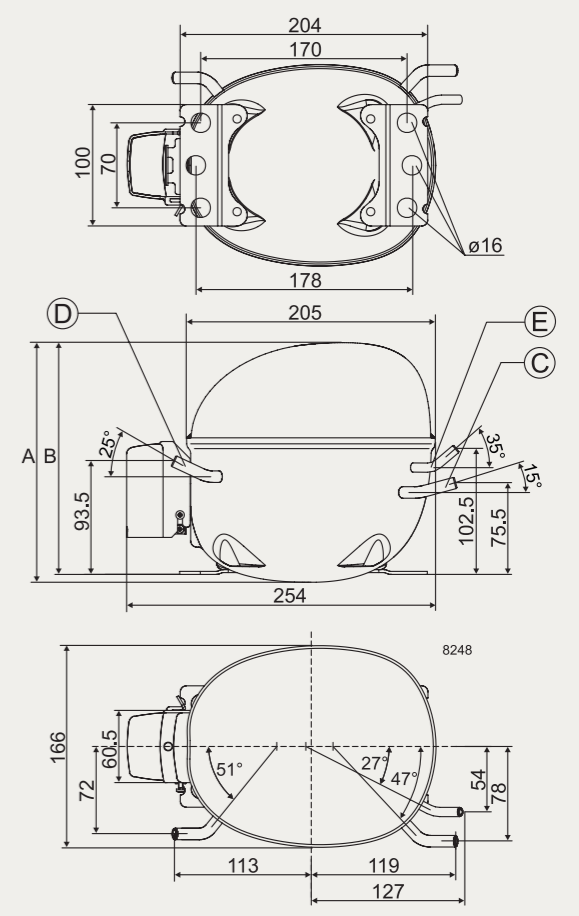
On TL compressors suction and process connectors are interchangeable.



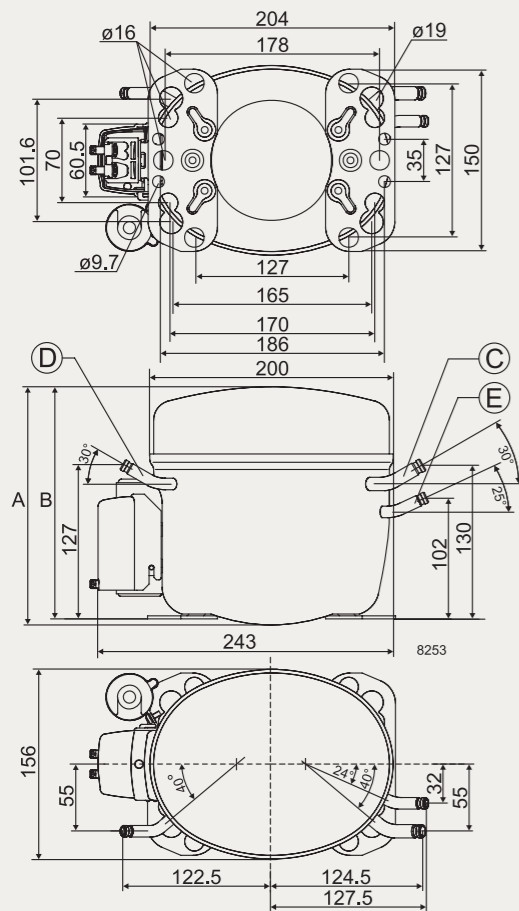
NF



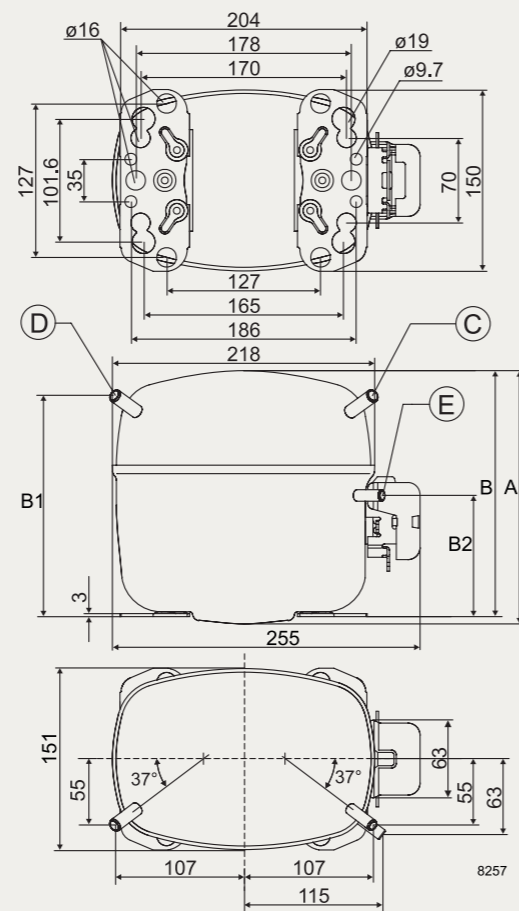
NL / NLE



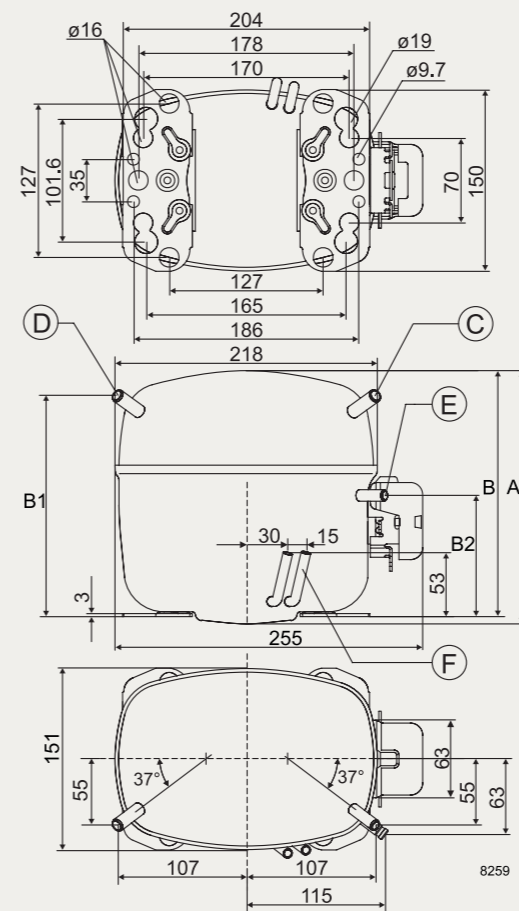
FR



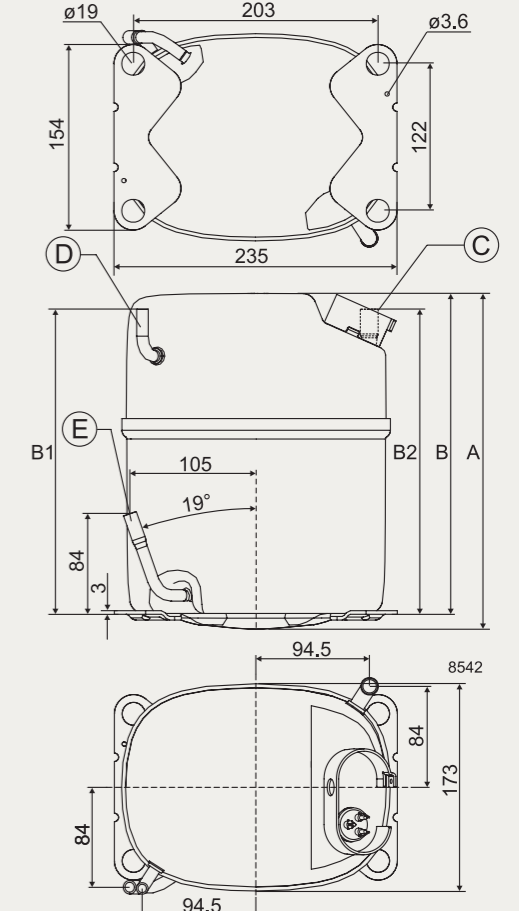
SC



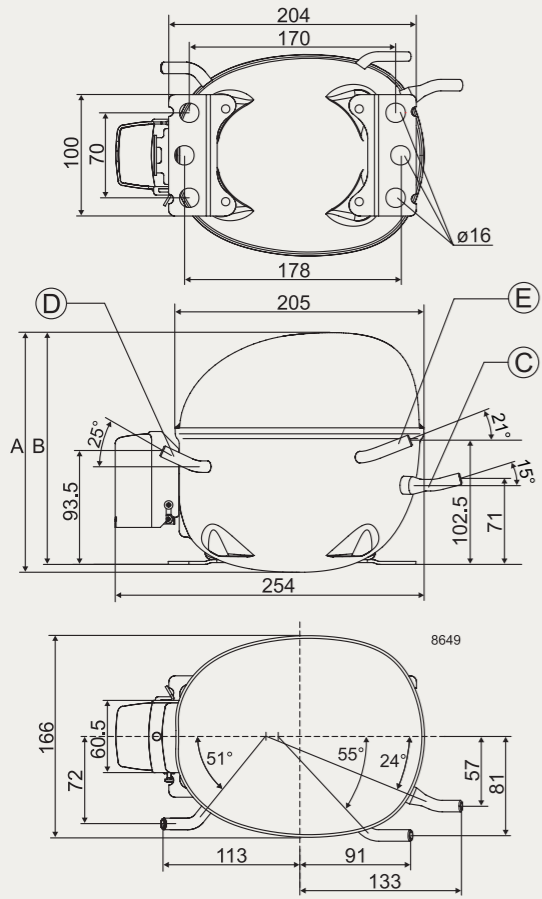
SC-GHH (w. additional oil cooler connector)



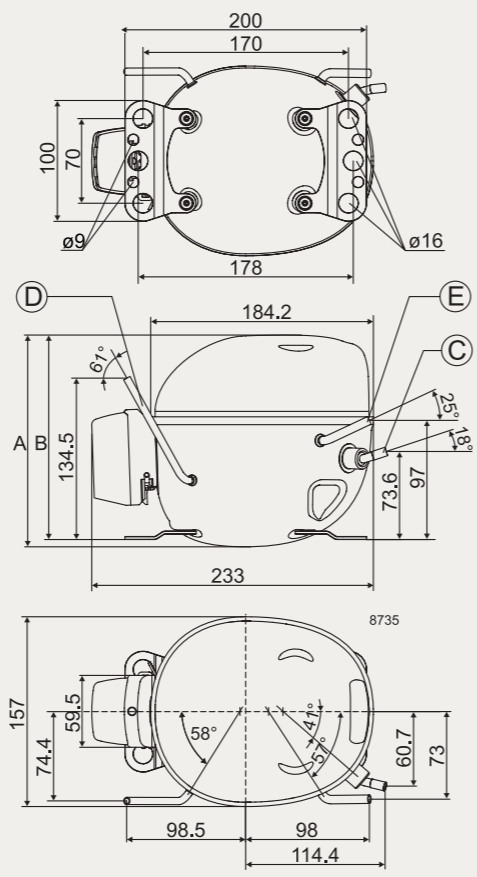
GS (GS34CLX has interchanged connectors)



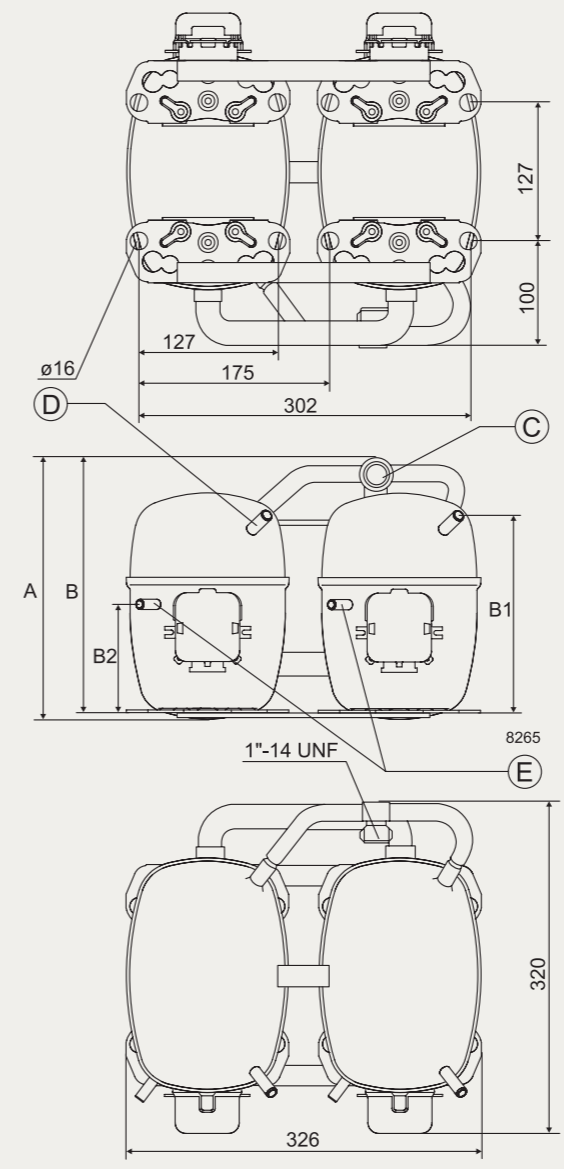
R600a: NLX / NLU



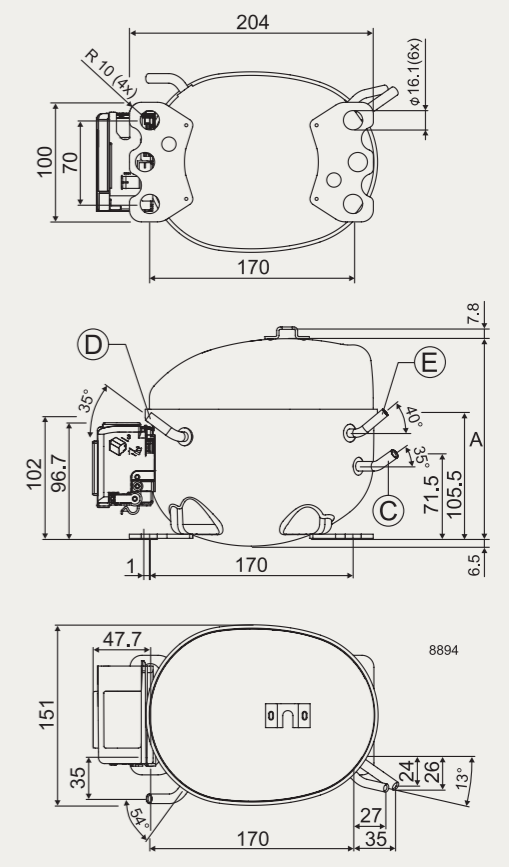
R290: DLE



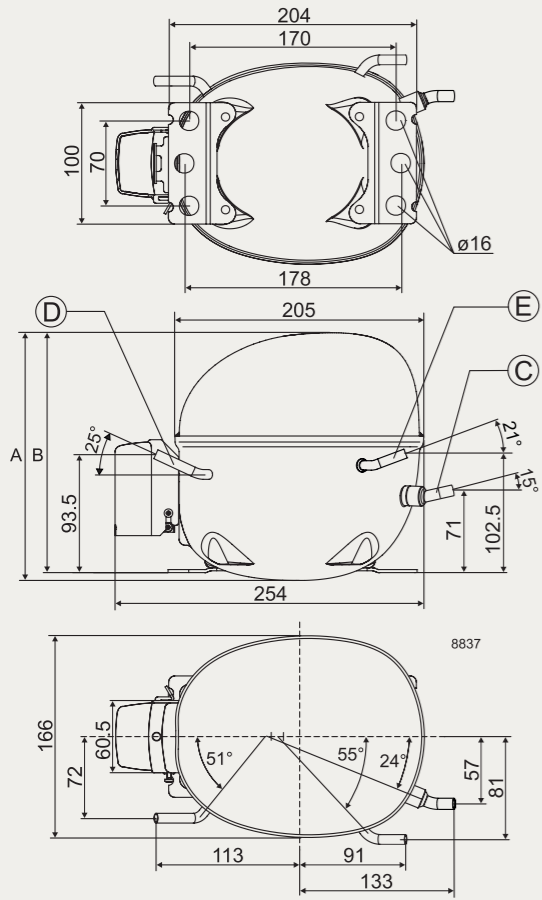
SC-Twin



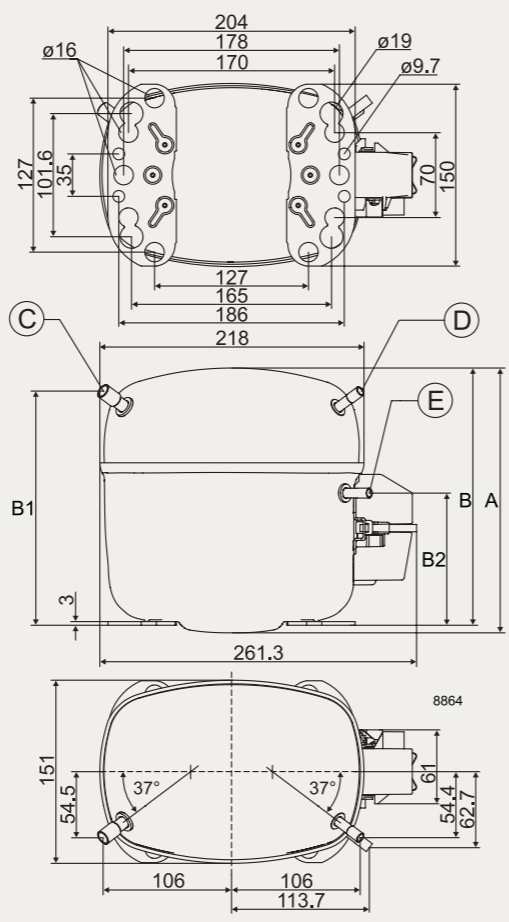
GTK / HKK / HMK / HTK / HXK / HZK (K-Series)



R290: NLE / NLU

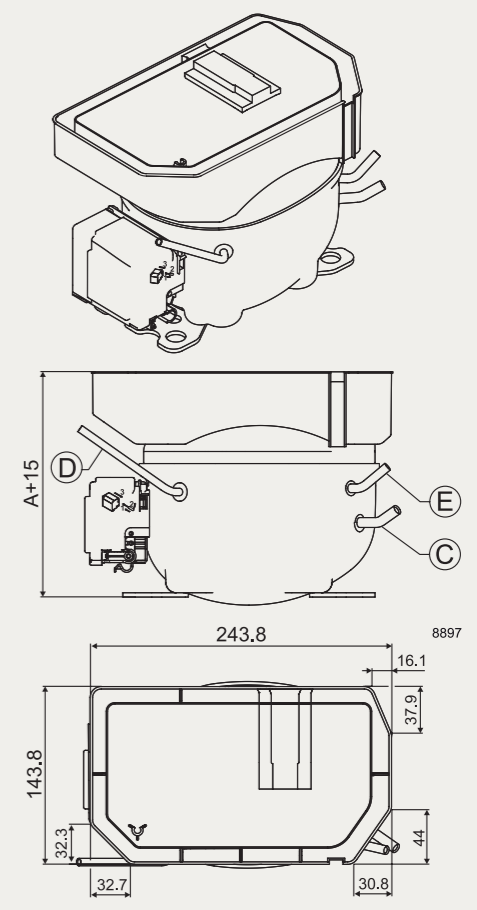


R290: SCE

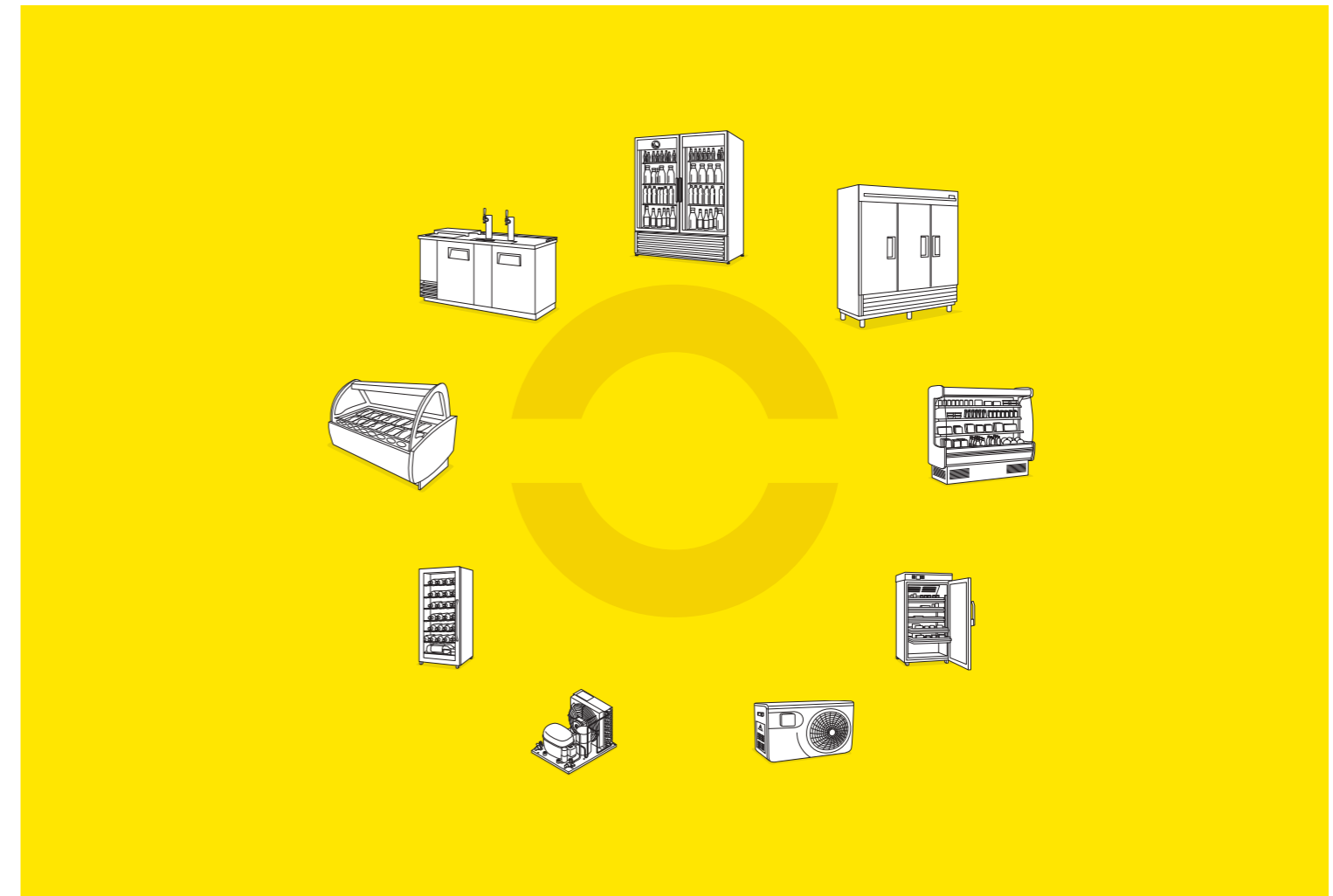


Accessories for SC Twin

SC10/10, SC12/12 and SC15/15:	
Service valve for 12 mm tube	118-7350
Solder connector for 12 mm tube	104B0584
SC18/18 and SC21/21:	
Service valve for 16mm tube	118-7351
Solder connector for 16mm tube	118-7405
SC18/18 and SC21/21:	
Seal ring for service valve and solder connector	118-3638
Time delay relay	117N0001
Check valve (to be used with time delay relay)	020-1014



HERMETIC COMPRESSORS HC, HFC REFRIGERANTS | 60 Hz



Imperial Units

R600a | R290
R134a · R513A
R404A · R452A

208–230 V · 60 Hz
220–240 V · 50/60 Hz
200–240 V · 50/60 Hz
115–127 V · 60 Hz
110–127 V · 50/60 Hz

R600a · 115–127 V · 60 Hz

Compressor	Code number	Application	ASHRAE Capacity [BTU/h] Tc=130°F, Tliq=90°F, Tsuc=90°F Evaporating temperature [°F]						ASHRAE						Displacement [cu.in]	Voltage and frequencies [*dual frequency type with 50/60 Hz]	Compressor cooling cooling (refer to data sheet)		
			LBP rating point -10°F / 130°F		MBP rating point 20°F / 130°F		HBP rating point 45°F / 130°F		Cooling capacity		EER		Cooling capacity					EER	
			-31	-13	5	14	32	50	[BTU/h]	[BTU/Wh]	[BTU/h]	[BTU/Wh]	[BTU/h]	[BTU/Wh]				[BTU/h]	[BTU/Wh]
NLE11KTK	105H5942	L/MBP	360	602	1059	1342	1959	-	665	4.18	1390	5.70	-	-	0.68	95–135 V, 60 Hz	F1		
NLE13KTK	105H5949	L/MBP	415	707	1182	1487	2227	-	773	4.13	1545	5.52	-	-	0.81	95–135 V, 60 Hz	F1		

R600a · 220–240 V · 50/60 Hz

Compressor	Code number	Application	ASHRAE Capacity [BTU/h] Tc=130°F, Tliq=90°F, Tsuc=90°F Evaporating temperature [°F]						ASHRAE						Displacement [cu.in]	Voltage and frequencies [*dual frequency type with 50/60 Hz]	Compressor cooling cooling (refer to data sheet)		
			LBP rating point -10°F / 130°F		MBP rating point 20°F / 130°F		HBP rating point 45°F / 130°F		Cooling capacity		EER		Cooling capacity					EER	
			-31	-13	5	14	32	50	[BTU/h]	[BTU/Wh]	[BTU/h]	[BTU/Wh]	[BTU/h]	[BTU/Wh]				[BTU/h]	[BTU/Wh]
NLE9KTK	105H6071	LBP	262	473	801	1022	-	519	4.41	-	-	-	-	0.51	198–253 V, 60 Hz *	S			
NLE11KTK	105H6948	LBP	349	609	992	1259	-	662	4.39	-	-	-	-	0.68	198–254 V, 60 Hz *	S			

K-Series AT · R600a · 200–240 V · 50/60 Hz

Compressor	Code number	Application	ASHRAE Capacity [BTU/h] Tc=130°F, Tliq=90°F, Tsuc=90°F Evaporating temperature [°F]						ASHRAE						Displacement [cu.in]	Voltage and frequencies [*dual frequency type with 50/60 Hz]	Compressor cooling cooling (refer to data sheet)		
			LBP rating point -10°F / 130°F		MBP rating point 20°F / 130°F		HBP rating point 45°F / 130°F		Cooling capacity		EER		Cooling capacity					EER	
			-31	-13	5	14	32	50	[BTU/h]	[BTU/Wh]	[BTU/h]	[BTU/Wh]	[BTU/h]	[BTU/Wh]				[BTU/h]	[BTU/Wh]
HXK80AT	CD000135	LBP	291	526	851	1054	-	573	6.04	-	-	-	-	0.49	198–253 V, 60 Hz *	S			
HXK87AT	CD000136	LBP	365	577	934	1158	-	627	6.04	-	-	-	-	0.54	198–253 V, 60 Hz *	S			
HXK95AT	CD000137	LBP	399	630	1020	1265	-	685	6.04	-	-	-	-	0.59	198–253 V, 60 Hz *	S			
HXK12AT	CD000219	LBP	468	741	1196	1492	-	805	5.97	-	-	-	-	0.68	198–253 V, 60 Hz *	S			
HXK13AT	CD000222	LBP	517	819	1321	1648	-	889	5.69	-	-	-	-	0.76	198–253 V, 60 Hz *	S			

R290 · 115–127 V · 60 Hz

Compressor	Code number	Application	ASHRAE Capacity [BTU/h] Tc=130°F, Tliq=90°F, Tsuc=90°F Evaporating temperature [°F]						ASHRAE						Displacement [cu.in]	Voltage and frequencies [*dual frequency type with 50/60 Hz]	Compressor cooling cooling (refer to data sheet)		
			LBP rating point -10°F / 130°F		MBP rating point 20°F / 130°F		HBP rating point 45°F / 130°F		Cooling capacity		EER		Cooling capacity					EER	
			-31	-13	5	14	32	50	[BTU/h]	[BTU/Wh]	[BTU/h]	[BTU/Wh]	[BTU/h]	[BTU/Wh]				[BTU/h]	[BTU/Wh]
TL4CNX.2	102H3490	L/MBP	365	664	1058	1305	1929	-	722	4.31	1336	6.12	-	-	0.24	95–135 V, 60 Hz	F2		
DLE4CN	102H3482	L/MBP	436	725	1130	1387	2030	-	783	5.11	1415	6.94	-	-	0.24	95–135 V, 60 Hz	F2		
DLE4.8CN	102H3582	L/MBP	526	899	1392	1696	2446	-	972	5.00	1722	6.82	-	-	0.29	95–135 V, 60 Hz	F2		
DLE5.7CN	102H3682	L/MBP	660	1101	1689	2052	2945	-	1188	5.10	2080	6.69	-	-	0.35	95–135 V, 60 Hz	F2		
DLE6.5CN	102H3792	L/MBP	697	1189	1832	2241	3295	-	1283	5.11	2286	6.69	-	-	0.40	95–135 V, 60 Hz	F2		
NL8.4CNX.2	105H6090	L/MBP	909	1534	2384	2919	4259	-	1658	5.01	2975	6.55	-	-	0.51	95–135 V, 60 Hz	F2		
NLE8.0CN	105H6093	L/MBP	831	1431	2214	2705	3952	-	1546	5.36	2756	7.08	-	-	0.49	95–135 V, 60 Hz	F2		
NLE8.8CN	105H6094	L/MBP	1007	1621	2518	3076	4424	-	1751	5.37	3125	7.11	-	-	0.53	95–135 V, 60 Hz	F2		
NLE10CN	105H6194	L/MBP	1184	1921	2962	3604	5145	-	2073	5.20	3651	6.98	-	-	0.62	103–127 V, 60 Hz	F2		
NLE11CNL	105H5981	LBP	1306	2118	3297	4006	-	2291	5.54	-	-	-	-	0.68	95–135 V, 60 Hz	F2			
NLE11MN	105H5980	MBP	-	2104	3331	4055	5790	8007	2292	5.24	4106	6.97	6558	9.38	0.68	95–127 V, 60 Hz	F2		
SC10CNX.2	104H7070	L/MBP	531	1361	2480	3172	4868	-	1525	3.98	3302	6.38	-	-	0.63	95–135 V, 60 Hz	F2		
SC12CNX.2	104H7270	L/MBP	961	1902	3171	3955	5876	-	2088	4.40	4065	6.39	-	-	0.79	95–135 V, 60 Hz	F2		
SC15MNX	104H7570	MBP	-	2070	3945	4772	6744	-	2429	4.25	4795	6.04	-	-	0.93	100–127 V, 60 Hz	F2		
SC18MNX	104H7870	MBP	-	2838	4415	5343	7780	-	3090	4.65	5419	6.22	-	-	1.08	103–127 V, 60 Hz	F2		
SCE15CNLX	104H7578	LBP	966	2467	4169	5158	-	2731	5.38	5269	7.36	-	-	0.93	103–127 V, 60 Hz	F2			
SCE18CNLX	104H7878	LBP	1257	2937	4824	6010	-	3223	5.56	6209	7.36	-	-	1.08	103–127 V, 60 Hz	F2			
SCE21CNLX	104H7178	LBP	1615	3397	5530	6824	-	3720	5.47	6981	7.12	-	-	1.28	103–127 V, 60 Hz	F2			
SCE15MNX	104H7579	MBP	-	-	4073	5099	7534	-	-	-	5241	6.99	-	-	0.93	103–127 V, 60 Hz	F2		
SCE18MNX	104H7879	MBP	-	-	4854	6013	8728	-	-	-	6134	7.26	-	-	1.08	103–127 V, 60 Hz	F2		

Electrical equipment

Dimensions					LST (RSIR & RSCR) refer to data sheet for more info				Run capacitor (RC)		HST (CSIR & CSR) *alt. cable lengths avail.			LST/HST			
Height [inch]		Connectors location / I.D. [inch]			alt. connectors available	PTC starting device		PTC starting device with RC connector		ePTC	→ optional → compulsory*		Starting relay	Starting capacitor	Starting device*	Cord relief	Cover
A	B	Suction C (I.D.)	Process D (I.D.)	Dis-charge E (I.D.)		Spades		Spades		Spades	Spades		Spades	Spades			
7.8	7.5	0.32	0.26	0.26	-	103N0026	103N0023	103N0027	103N0024	-	117-7118	117-7120	-	-	-	103N1010	103N2011
7.8	7.5	0.32	0.26	0.26	-	103N0026	103N0023	103N0027	103N0024	-	117-7118	117-7120	-	-	-	103N1010	103N2011

Electrical equipment

Dimensions					LST (RSIR & RSCR) refer to data sheet for more info				Run capacitor (RC)		HST (CSIR & CSR) *alt. cable lengths avail.			LST/HST			
Height [inch]		Connectors location / I.D. [inch]			alt. connectors available	PTC starting device		PTC starting device with RC connector		ePTC	→ optional → compulsory*		Starting relay	Starting capacitor	Starting device*	Cord relief	Cover
A	B	Suction C (I.D.)	Process D (I.D.)	Dis-charge E (I.D.)		Spades		Spades		Spades	Spades		Spades	Spades			
7.8	7.5	0.24	0.24	0.20	X	103N0011	103N0018	103N0016	103N0021	-	117-7117	117-7119	-	-	-	103N1010	103N2010
7.8	7.5	0.24	0.24	0.20	-	103N0011	103N0018	103N0016	103N0021	-	117-7117	117-7119	-	-	-	103N1010	103N2010

Electrical equipment · Spare parts · Accessories

Dimensions					Run capacitor	Terminal board	Terminal board	Cable clamp	Cover	Evaporation tray	All-in-one equipment		
Height [mm]		Connectors location [mm]			alt. connectors available	→ optional → compulsory*	→ PTC → external protector	→ ePTC → external protector	screws not included	V0	plastic	→ cover → cable clamp + screws → earthing screw	
A	B	Suction C (I.D.)	Process D (O.D.)	Dis-charge E (I.D.)		Spades	Spades	Spades	material optional				
6.6	-	0.24	0.24	0.20	X	4 µF	ZCF5	DCF5	-	113410_	157595_	162991_	161680_
6.6	-	0.24	0.24	0.20	X	4 µF	ZCFC	DCFC	-	113410_	157595_	162991_	161680_
6.6	-	0.24	0.24	0.20	X	4 µF	ZCFP	DCFP	-	113410_	157595_	162991_	161680_
6.6	-	0.24	0.24	0.20	X	4 µF	ZCF9	DCF9	-	113410_	157595_	162991_	161680_
6.7	-	0.24	0.24	0.20	X	4 µF	ZCF9	DCF9	-	113410_	157595_	162991_	161680_

Electrical equipment

Dimensions					LST (RSIR & RSCR) refer to data sheet for more info				Run capacitor (RC)		HST (CSIR & CSR) *alt. cable lengths avail.			LST/HST			
Height [inch]		Connectors location / I.D. [inch]			alt. connectors available	PTC starting device		PTC starting device with RC connector		ePTC	→ optional → compulsory*		Starting relay	Starting capacitor	Starting device*	Cord relief	Cover
A	B	Suction C (I.D.)	Process D (I.D.)	Dis-charge E (I.D.)		Spades		Spades		Spades	Spades		Spades	Spades			
6.8	6.7	0.26	0.26	0.20	-	-	-	-	-	-	117U7005	117U5023	-	-	103N1010	103N2011	
6.9	6.7	0.32	0.26	0.26	X	-	-	-	-	103N0058	117-7118	117-7120	117U7022	117U5023	-	103N1010	103N0492
6.9	6.7	0.32	0.26	0.26	X	-	-	-	-	103N0058	117-7118	117-7120	117U7011	117U5023	-	103N1010	103N0492
6.9	6.7	0.32	0.26	0.26	X	-	-	-	-	103N0058	117-7118	117-7120	117U7011	117U5023	-	103N1010	103N0492
6.9	6.7	0.32	0.26	0.26	X	-	-	-	-	103N0058	117-7118	-	117U7013	117U5023	-	103N1010	103N0492
8.0	7.8	0.32	0.26	0.26	X	-	-	-	-	-	-	-	117U7013	117U5035	-	103N1010	103N2011
8.0	7.8	0.32	0.26	0.26	X	-	-	-	-	103N0058	117-7147	117-7146	117U7013	117U5023	-	103N1010	103N2011
8.0	7.8	0.32	0.26	0.26	X	-	-	-	-	103N0058	117-7114	-	117U7014	117U5025	-	103N1010	103N2011
8.0	7.8	0.32	0.26	0.26	X	-	-	-	-	103N0058	117-7118	117-7120	117U7018	117U5025	-	103N1010	103N2011
8.0	7.8	0.32	0.26	0.26	X	-	-	-	-	103N0058	117-7114	-	117U7020	117U5039	-	103N1010	-
8.0	7.8	0.32	0.26	0.26	X	-	-	-	-	103N0058	117-7114	-					

Compressor	Code number	Application	ASHRAE Capacity [BTU/h] T _c =130°F, T _{liq} =90°F, T _{suc} =90°F Evaporating temperature [°F]						ASHRAE						Displacement [cu.in]	Voltage and frequencies [*dual frequency type with 50/60 Hz]	Compressor cooling cooling (refer to data sheet)
			LBP rating point -10°F / 130°F		MBP rating point 20°F / 130°F		HBP rating point 45°F / 130°F		Cooling capacity		Cooling capacity		Cooling capacity				
			[BTU/h]		[BTU/Wh]		[BTU/h]		[BTU/Wh]		[BTU/h]		[BTU/Wh]				
			-31	-13	5	14	32	50									
PL30F	101G9100	L/M/HBP	-	89	187	252	422	657	103	2.03	270	4.07	522	6.41	0.09	90–127 V, 60 Hz *	S
PL50F	101G9202	L/MBP	-	155	290	374	585	-	175	2.70	391	4.42	-	-	0.12	103–127 V, 60 Hz	S
TL2.5G	102G3255	L/M/HBP	-	169	336	460	788	1226	190	2.65	498	4.91	976	7.46	0.16	103–127 V, 60 Hz	S
TL2.5F	102G3206	LBP	-	182	339	446	-	-	202	3.12	470	4.53	-	-	0.16	103–127 V, 60 Hz	S
TL3F	102G3300	LBP	-	228	411	538	-	-	253	3.29	571	4.58	-	-	0.19	103–127 V, 60 Hz	S
TF3.5F	102G3304	LBP	128	273	502	653	-	-	305	3.26	-	-	-	-	0.22	95–135 V, 60 Hz	S
TL4G	102G3460	L/M/HBP	-	226	435	576	945	1444	255	2.66	613	4.16	1153	5.85	0.24	90–135 V, 60 Hz *	S
TFS4F	102G3431	LBP	149	317	600	785	-	-	356	3.66	-	-	-	-	0.24	95–135 V, 60 Hz	S
TLS4.5F	102G3425	LBP	238	432	760	976	-	-	477	3.70	1018	5.11	-	-	0.28	103–127 V, 60 Hz	S
TFS4.5FT	102G3432	L/MBP	238	432	760	976	1514	-	477	3.75	1018	5.17	-	-	0.28	95–135 V, 60 Hz	S
NF5.5FX	105G5623	L/MBP	281	628	1098	1398	2165	-	696	4.12	1454	5.71	-	-	0.37	95–135 V, 60 Hz	F2
NF6.1FX.2	105G5631	L/MBP	293	648	1161	1490	2315	-	721	4.06	1554	6.09	-	-	0.37	95–135 V, 60 Hz	F1
NF6FK	105G5628	L/MBP	270	603	1054	1342	2079	-	668	3.88	1396	5.38	-	-	0.37	95–135 V, 60 Hz	F2
NF7FK	105G5728	L/MBP	383	759	1275	1608	2468	-	834	4.09	1665	5.48	-	-	0.44	95–135 V, 60 Hz	F2
NF7FX	105G5723	L/MBP	395	783	1314	1657	2545	-	860	4.00	1717	5.54	-	-	0.44	95–135 V, 60 Hz	F2
NF7.3FX.2	105G5722	L/MBP	387	806	1413	1801	2776	-	893	3.95	1872	5.81	-	-	0.44	95–135 V, 60 Hz	F1
NF8.4FX.2	105G5918	L/MBP	-	934	1613	2047	3138	-	1031	4.16	2123	5.88	-	-	0.51	95–135 V, 60 Hz	F1
NF9FX	105G5920	L/MBP	-	852	1454	1848	2864	-	937	3.83	1923	5.54	-	-	0.51	95–135 V, 60 Hz	F2
NF10FX	105G5941	L/MBP	-	952	1625	2060	3184	-	1048	4.01	2140	5.48	-	-	0.62	95–135 V, 60 Hz	F2
NF11FX	105G5945	MBP	477	996	1726	2199	3419	-	1100	3.72	2290	5.19	-	-	0.68	95–135 V, 60 Hz	F2
NF11FX.2	105G5916	MBP	-	-	2054	2615	4025	-	-	-	2717	5.62	-	-	0.69	95–135 V, 60 Hz	F2
FF6GK	103G5680	L/M/HBP	-	357	796	1101	1886	2907	415	3.15	1195	5.40	2320	7.86	0.38	103–127 V, 60 Hz	F1
FF7.5GK	103G5780	L/M/HBP	-	452	934	1264	2105	3189	516	3.48	1356	5.41	2556	7.51	0.42	103–127 V, 60 Hz	F1
FF8.5GX	103G5880	L/M/HBP	-	588	1133	1496	2407	3563	662	3.17	1584	4.94	2871	6.87	0.49	103–127 V, 60 Hz	F2
FF10GX	103G5980	L/M/HBP	-	634	1235	1637	2652	3953	715	3.08	1737	4.84	3179	6.79	0.55	103–127 V, 60 Hz	F2
SC12G	104G7250	L/M/HBP	203	873	1799	2395	3927	6016	1007	3.38	2548	5.33	4795	7.64	0.79	103–127 V, 60 Hz	F1
SC15FTX	104G7505	LBP	677	1406	2412	3051	-	-	1552	3.83	3160	5.00	-	-	0.93	90–135 V, 60 Hz	F2
SC15G	104G7550	L/M/HBP	-	1085	2183	2898	4663	6882	1237	3.76	3071	5.43	5551	7.24	0.93	103–127 V, 60 Hz	F1
SC18G	104G7800	L/M/HBP	-	1142	2522	3323	5255	7779	1356	3.36	3496	5.06	6255	6.86	1.08	95–135 V, 60 Hz	F2

Electrical equipment

Dimensions					LST (RSIR & RSCR) refer to data sheet for more info					Run capacitor (RC)		HST (CSIR & CSR) *alt. cable lengths avail.			LST/HST		
Height [inch]		Connectors location/I.D. [inch]			alt. connectors available	PTC starting device		PTC starting device with RC connector		ePTC	→ optional → compulsory*		Starting relay	Starting capacitor	Starting device*	Cord relief	Cover
A	B	Suction C (I.D.)	Process D (I.D.)	Dis-charge E (I.D.)		Spades		Spades		Spades	Spades		Spades				
		1/4 inch	3/16 inch	1/4 inch		3/16 inch	3/16 inch	1/4 inch	3/16 inch	1/4 inch	3/16 inch	1/4 inch	1/4 inch	1/4 inch			
5.3	5.2	0.26	0.26	0.20	-	103N0026	103N0023	-	-	-	-	-	117U6000	117U5015	-	103N1010	103N0492
5.3	5.2	0.26	0.26	0.20	-	103N0026	103N0023	-	-	-	-	-	117U6000	117U5015	-	103N1010	103N0492
6.4	6.3	0.26	0.26	0.20	X	103N0026	103N0023	-	-	-	-	-	-	-	-	103N1010	103N2011
6.4	6.3	0.26	0.26	0.20	X	103N0026	103N0023	-	-	-	-	-	-	-	-	103N1010	103N2011
6.4	6.3	0.26	0.26	0.20	-	103N0026	103N0023	-	-	-	-	-	-	-	-	103N1010	103N2011
6.8	6.7	0.26	0.26	0.20	X	-	-	-	-	-	-	-	-	-	-	117U0349	117U1021
6.8	6.7	0.26	0.26	0.20	X	103N0026	103N0023	-	-	-	-	-	117U6003	117U5023	-	103N1010	103N2011
6.8	6.7	0.26	0.26	0.20	X	-	-	-	-	-	-	-	-	-	-	117U0349	117U1021
6.4	6.3	0.26	0.26	0.20	-	103N0026	103N0023	-	-	-	-	-	117U6003	117U5023	-	103N1010	103N2011
6.8	6.7	0.26	0.26	0.19	X	-	-	-	-	-	-	-	117U4126	117U5022	-	117U0349	117U1021
7.8	7.5	0.32	0.26	0.26	X	-	-	-	-	-	-	-	117U4127	117U5025	-	117U0349	117U1021
7.8	7.5	0.32	0.26	0.26	X	-	-	-	-	-	-	-	117U4127	117U5025	-	117U0349	117U1021
8.0	7.8	0.32	0.26	0.26	X	-	-	-	-	-	-	-	117U4132	117U5022	-	117U0349	117U1021
8.0	7.8	0.32	0.26	0.26	X	-	-	-	-	-	-	-	117U4132	117U5022	-	117U0349	117U1021
7.8	7.5	0.32	0.26	0.26	X	-	-	-	-	-	-	-	117U4061	117U5025	-	117U0349	117U1021
7.8	7.5	0.32	0.26	0.26	X	-	-	-	-	-	-	-	117U4061	117U5025	-	117U0349	117U1021
7.8	7.5	0.32	0.26	0.26	X	-	-	-	-	-	-	-	117U4129	117U5025	-	117U0349	117U1021
7.8	7.5	0.32	0.26	0.26	X	-	-	-	-	-	-	-	117U4129	117U5022	-	117U0349	117U1021
8.0	7.8	0.32	0.26	0.26	X	-	-	-	-	-	-	-	117U4123	117U5028	-	117U0349	117U1021
8.0	7.8	0.32	0.26	0.26	X	-	-	-	-	-	-	-	117U4151	117U5028	-	117U0349	117U1021
7.7	7.5	0.32	0.26	0.26	-	-	-	-	-	-	-	-	-	-	-	117U0349	117U1021
7.7	7.5	0.32	0.26	0.26	-	-	-	-	-	-	-	-	-	-	-	117U0349	117U1021
7.7	7.5	0.32	0.26	0.26	-	-	-	-	-	-	-	-	117U4060	117U5041	-	117U0349	117U1021
7.7	7.5	0.32	0.26	0.26	-	-	-	-	-	-	-	-	117U4061	117U5040	-	117U0349	117U1021
8.2	8.0	0.32	0.26	0.26	X	-	-	-	-	-	-	-	117U6020	117U5023	-	103N1004	103N2008
8.2	8.0	0.32	0.26	0.26	X	-	-	-	-	-	-	-	117U6020	117U5023	-	103N1004	103N2008
8.2	8.0	0.32	0.26	0.26	X	-	-	-	-	-	-	-	117U6020	117U5023	-	103N1004	103N2008
8.6	8.4	0.38	0.26	0.26	-	-	-	-	-	-	-	-	117-7441	117U5042	117-7053	-	117U1021



Alternative refrigerant R513A, please refer to our data sheets



Compressor	Code number	Application	ASHRAE Capacity [BTU/h] Tc=130°F, Tliq=90°F, Tsuc=90°F Evaporating temperature [°F]						ASHRAE						Displacement [cu.in.]	Voltage and frequencies [*dual frequency type with 50/60 Hz]	Compressor cooling cooling (refer to data sheet)		
			LBP rating point -10°F / 130°F		MBP rating point 20°F / 130°F		HBP rating point 45°F / 130°F		Cooling capacity		EER		Cooling capacity					EER	
			-31	-13	5	14	32	50	[BTU/h]	[BTU/Wh]	[BTU/h]	[BTU/Wh]	[BTU/h]	[BTU/Wh]				[BTU/h]	[BTU/Wh]
			Cooling capacity		EER		Cooling capacity		EER		Cooling capacity		EER						
PL35G	101G0250	L/M/HBP	-	145	270	349	546	-	163	2.98	364	4.30	-	-	0.12	198-254 V, 60 Hz *	F1		
TL2.5G	102G4251	L/M/HBP	60	179	342	447	715	1080	202	2.88	471	4.55	864	6.35	0.16	198-254 V, 60 Hz *	S		
TL3G	102G4350	L/M/HBP	-	202	402	530	-	-	231	3.15	562	4.59	-	-	0.19	198-254 V, 60 Hz *	S		
TL4G	102G4452	L/M/HBP	-	295	539	701	-	-	329	3.60	737	5.05	-	-	0.24	198-254 V, 60 Hz *	S		
TL4GH	102G4455	HBP	-	-	507	682	1123	1716	-	-	728	4.86	1368	6.80	0.24	198-254 V, 60 Hz *	F2		
TL5G	102G4550	L/M/HBP	-	387	683	874	-	-	429	3.84	-	-	-	-	0.31	198-254 V, 60 Hz *	S		
TLES6.5FT.3	102G4724	LBP	355	664	1130	1438	-	-	729	4.65	-	-	-	-	0.40	198-254 V, 60 Hz *	S		
TLES7FT.4	102G4708	LBP	355	664	1130	1438	-	-	729	4.65	-	-	-	-	0.40	198-254 V, 60 Hz *	S		
NL6FT	105G6628	LBP	248	502	841	1058	-	-	551	4.16	-	-	-	-	0.37	198-254 V, 60 Hz *	S		
NF7FX	105G6743	L/MBP	389	787	1320	1661	2545	-	864	4.02	1719	5.56	-	-	0.44	198-242 V, 60 Hz	F1		
NF10FX	105G6846	L/MBP	512	937	1529	1924	2988	-	1021	3.90	1996	5.23	-	-	0.62	198-242 V, 60 Hz *	F2		
NL6.1MF	105G6660	L/MBP	185	498	947	1239	1994	-	562	3.97	1308	5.54	-	-	0.37	187-254 V, 60 Hz *	S		
NL7.3MF	105G6772	L/MBP	313	677	1199	1539	2418	-	751	4.06	1609	5.42	-	-	0.44	187-254 V, 60 Hz *	F1		
NL8.4MF	105G7802	L/MBP	329	759	1377	1779	2819	-	847	4.20	1867	5.53	-	-	0.51	187-254 V, 60 Hz *	F1		
NL10MF	105G6885	L/MBP	465	985	1716	2190	3417	-	1090	4.40	2283	5.66	-	-	0.62	187-254 V, 60 Hz *	F1		
NLE12.6MF.2	105G6387	L/MBP	1009	1368	2276	2937	4677	-	1481	5.34	3088	7.14	-	-	0.77	198-254 V, 60 Hz *	F2		
NLE12.6MFT	105G6388	L/MBP	1009	1368	2276	2937	4677	-	1481	5.34	3088	7.14	-	-	0.77	198-254 V, 60 Hz *	F2		
FR6G	103G6660	L/M/HBP	-	394	842	1126	-	-	459	3.60	1199	5.58	-	-	0.38	198-254 V, 60 Hz *	F1		
FR7GH	103G6683	M/HBP	-	-	952	1244	2047	3203	-	-	1320	5.53	2537	7.71	0.42	198-254 V, 60 Hz *	F2		
FR7.5G	103G6680	L/M/HBP	-	476	962	1268	-	-	547	3.71	1340	5.38	-	-	0.42	198-254 V, 60 Hz *	F1		
FR8.5G	103G6780	L/M/HBP	-	586	1113	1458	-	-	661	3.79	1539	5.13	-	-	0.49	198-254 V, 60 Hz *	F1		
FR10G	103G6880	L/M/HBP	-	647	1235	1611	-	-	731	3.57	1696	4.93	-	-	0.55	198-254 V, 60 Hz *	F1		
SC10G	104G8000	L/M/HBP	119	565	1331	1831	-	-	670	2.95	1972	5.43	-	-	0.63	198-254 V, 60 Hz *	F2		
SC10GH	104G8041	HBP	-	-	1361	1793	2909	4446	-	-	1899	5.08	3544	6.89	0.63	198-254 V, 60 Hz *	F2		
SC12FT	104G8205	LBP	531	1152	2020	2576	-	-	1276	4.04	2680	5.44	-	-	0.79	198-254 V, 60 Hz *	F1		
SC15FT	104G8505	LBP	655	1395	2417	3069	-	-	1542	4.09	3185	5.54	-	-	0.93	198-254 V, 60 Hz *	F2		
SC12G	104G8240	L/M/HBP	318	865	1722	2297	-	-	983	3.50	2451	5.47	-	-	0.79	198-254 V, 60 Hz *	F2		
SC12G	104G8245	MBP	-	-	1573	2200	3852	6162	-	-	2401	5.65	4860	8.38	0.79	187-254 V, 60 Hz	F2		
SC12GH	104G8261	HBP	-	-	1573	2168	3734	5923	-	-	2350	5.52	4680	8.13	0.79	198-254 V, 60 Hz *	F2		
SC15G	104G8520	L/M/HBP	-	1114	2182	2867	-	-	1263	3.64	3020	5.58	-	-	0.93	198-254 V, 60 Hz *	F2		
SC15G	104G8526	MBP	-	-	1988	2720	4449	6668	-	-	2907	5.69	5348	8.11	0.93	187-254 V, 60 Hz	F2		
SC15GH	104G8561	HBP	-	-	1792	2459	4292	6927	-	-	2673	5.70	5449	8.17	0.93	198-254 V, 60 Hz *	F2		
SC18FTX	104G8805	LBP	796	1650	2857	3632	-	-	1823	4.11	3774	5.69	-	-	1.08	198-254 V, 60 Hz *	F2		
SC18G	104G8820	L/M/HBP	-	1422	2632	3407	-	-	1596	3.86	3572	5.41	-	-	1.08	198-254 V, 60 Hz *	F2		
SC18G	104G8823	MBP	-	-	2426	3158	5122	7903	-	-	3336	6.03	6282	8.57	1.08	187-254 V, 60 Hz	F2		
SC18GH	104G8861	HBP	-	-	2426	3158	5122	7903	-	-	3336	6.03	6282	8.57	1.08	198-254 V, 60 Hz *	F2		
SC18MFX	104G8804	MBP	-	-	2822	3595	5598	8355	-	-	3744	5.96	6697	8.09	1.08	187-254 V, 60 Hz *	F2		
SC21FTX	104G8106	LBP	1017	1985	3379	4278	-	-	2184	4.39	4437	5.77	-	-	1.28	187-254 V, 60 Hz	F2		
SC21G	104G8140	L/M/HBP	-	1304	2780	3729	-	-	1516	3.67	3980	5.69	-	-	1.28	198-254 V, 60 Hz *	F2		
SC21G	104G8143	L/M/HBP	-	1304	2780	3729	-	-	1516	3.67	3980	5.69	-	-	1.28	198-254 V, 60 Hz	F2		

Electrical equipment

Dimensions						LST (RSIR & RSCR) refer to data sheet for more info					Run capacitor (RC)		HST (CSIR & CSR) *alt. cable lengths avail.			LST/HST		
Height [inch]		Connectors location/I.D. [inch]				alt. connectors available	PTC starting device		PTC starting device with RC connector		ePTC	→ optional → compulsory*		Starting relay	Starting capacitor	Starting device*	Cord relief	Cover
A	B	Suction	Process	Dis-charge	E (I.D.)		Spades		Spades		Spades	Spades		Spades				
		1/4 inch	3/16 inch	1/4 inch			3/16 inch	3/16 inch	1/4 inch	3/16 inch	1/4 inch	1/4 inch	1/4 inch					
5.4	5.3	0.24	0.24	0.20	X	103N0011	103N0018	-	-	-	-	-	117U6021	117U5014	-	103N1010	103N0491	
6.4	6.3	0.24	0.24	0.20	X	103N0011	103N0018	-	-	-	-	-	117U6007	117U5014	-	103N1010	103N2011	
6.4	6.3	0.24	0.24	0.20	X	103N0011	103N0018	-	-	-	-	-	117U6009	117U5014	-	103N1010	103N2010	
6.8	6.7	0.24	0.24	0.20	X	103N0011	103N0018	-	-	-	-	-	117U6004	117U5014	-	103N1010	103N2010	
6.8	6.7	0.24	0.24	0.20	-	-	-	-	-	-	-	-	117U6000	117U5014	-	103N1010	103N2011	
6.8	6.7	0.24	0.24	0.20	X	103N0011	103N0018	-	-	-	-	-	117U6000	117U5014	-	103N1010	103N2010	
6.8	6.7	0.24	0.24	0.20	X	103N0011	103N0018	103N0016	103N0021	-	117-7117	117-7119	117U6016	117U5014	-	103N1010	103N2010	
6.8	6.7	0.26	0.26	0.20	-	103N0011	103N0018	103N0016	103N0021	-	117-7117	117-7119	117U6016	117U5014	-	103N1010	103N2010	
7.8	7.5	0.24	0.24	0.20	-	103N0011	103N0018	-	-	-	-	-	117U6000	117U5015	-	103N1010	103N2010	
8.0	7.8	0.32	0.26	0.26	X	-	-	-	-	-	-	-	117U4140	117U5018	-	117U0349	117U1023	
8.0	7.8	0.32	0.26	0.26	X	-	-	-	-	-	-	-	117U4139	117U5018	-	117U0349	117U1021	
7.5	7.2	0.32	0.24	0.24	X	103N0011	103N0018	-	-	-	-	-	117U6015	117U5015	-	103N1010	103N2011	
7.8	7.5	0.32	0.24	0.24	X	103N0011	103N0018	-	-	-	-	-	117U6016	117U5015	-	103N1010	103N2011	
7.8	7.5	0.32	0.24	0.24	X	103N0011	103N0018	-	-	-	-	-	117U6016	117U5015	-	103N1010	103N2011	
8.0	7.8	0.32	0.24	0.24	X	103N0011	103N0018	-	-	-	-	-	117U6022	117U5018	-	103N1010	103N2011	
8.0	7.8	0.32	0.24	0.24	-	-	-	-	-	103N0050	-	117-7119	117U6005	117U5015	-	103N1010	103N2010	
8.0	7.8	0.32	0.24	0.24	-	-	-	-	-	103N0050	-	117-7119	117U6005	117U5015	-	103N1010	103N2010	
7.7	7.5	0.32	0.24	0.24	-	103N0011	103N0018	-	-	-	-	-	117U6000	117U5015	-	103N1010	103N2010	
7.7	7.5	0.32	0.24	0.32	-	-	-	-	-	-	-	-	117U6016	117U5015	-	103N1010	103N2011	
7.7	7.5	0.32	0.24	0.24	X	103N0011	103N0018	-	-	-	-	-	117U6001	117U5015	-	103N1010	103N2010	
7.7	7.5	0.32	0.24	0.24	-	103N0011	103N0018	-	-	-	-	-	117U6015	117U5015	-	103N1010	103N2010	
7.7	7.5	0.32	0.24	0.24	X	103N0011	103N0018	-	-	-	-	-	117U6010	117U5015	-	103N1010	103N2010	
7.8	7.6	0.32	0.24	0.24	-	103N0011	-	-	-	-	-	-	117U6002	117U5017	-	103N1004	103N2009	
8.2	8.0	0.40	0.24	0.32	-	-	-	-	-	-	-	-	117U6005	117U5017	-	103N1004	103N2008	
8.2	8.0	0.32	0.24	0.24	-	103N0011	-	-	-	-	-	-	117U6003	117U5017	-	103N1004	103N2009	
8.2	8.0	0.40	0.24	0.24	X	103N0011	-	-	-	-	-	-	117U6005	117U5017	-	103N1004	103N2009	
8.2	8.0	0.32	0.24	0.24	X	103N0011	-	-	-	-	-	-	117U6003	117U5017	-	103N1004	103N2009	
8.2	8.0	0.40	0.26	0.26	X	-	-	-	-	-	-	-	117U6011	117U5017	-	103N1004	103N2008	
8.2	8.0	0.40	0.24	0.32	-	-	-	-	-	-	-	-	117U6011	117U5017	-	103N1004	103N2008	
8.2	8.0	0.40	0.24	0.24	X	-	-	-	-	-	-	-	117U6005	117U5017	-	103N1004	103N2009	
8.2	8.0	0.40	0.26	0.26	X	-	-	-	-	-	-	-	117U6011	117U5017	-	103N1004	103N2008	
8.2	8.0	0.40	0.24	0.32	X	-</												

R404A/R507 · 115–127 V · 60 Hz

Compressor	Code number	Application	ASHRAE Capacity [BTU/h] Tc=130°F, Tliq=90°F, Tsuc=90°F Evaporating temperature [°F]						ASHRAE						Displacement [cu.in.]	Voltage and frequencies [*dual frequency type with 50/60 Hz]	Compressor cooling cooling (refer to data sheet)		
			LBP rating point -10°F / 130°F		MBP rating point 20°F / 130°F		HBP rating point 45°F / 130°F		Cooling capacity		EER		Cooling capacity					EER	
			-31	-13	5	14	32	50	[BTU/h]	[BTU/Wh]	[BTU/h]	[BTU/Wh]	[BTU/h]	[BTU/Wh]				[BTU/h]	[BTU/Wh]
TF4CLX	102U2102	L/MBP	340	642	1059	1320	1965	–	703	3.83	1302	4.77	–	–	0.24	103–135 V, 60 Hz	F2		
TFS4.5CLX	102U2115	LBP	477	852	1369	1692	–	927	4.07	–	–	–	–	0.28	103–135 V, 60 Hz	F2			
NF5.5CLX	105F1621	L/MBP	653	1147	1837	2271	3354	–	1247	4.20	2233	5.22	–	–	0.37	95–135 V, 60 Hz	F2		
NF7CLX	105F1721	L/MBP	776	1412	2300	2859	4254	–	1541	4.19	2819	5.33	–	–	0.44	95–135 V, 60 Hz	F2		
SC10CL	104L1503	L/MBP	443	1258	2388	3105	4914	–	1422	3.37	3135	4.86	–	–	0.63	103–127 V, 60 Hz	F2		
SC12CL	104L1603	LBP	771	2131	3744	4691	–	2378	3.78	–	–	–	–	0.79	103–127 V, 60 Hz	F2			
SC12CLX.2	104L1696	LBP	1036	2241	3771	4696	–	2470	3.89	4625	4.89	–	–	0.79	103–127 V, 60 Hz	F2			
SC12MLX	104L1606	MBP	–	–	3500	4409	6735	–	–	4386	5.20	–	–	0.79	95–135 V, 60 Hz	F2			
SC15CLX.2	104L1853	LBP	1409	2739	4564	5704	–	3005	4.12	5636	5.34	–	–	0.93	103–127 V, 60 Hz	F2			
SC15MLX	104L1805	MBP	–	–	4101	5165	7886	–	–	5136	4.80	–	–	0.93	95–135 V, 60 Hz	F2			
SC15MLX.2	104L1807	MBP	–	–	4212	5246	7892	–	–	5187	5.14	–	–	0.93	103–127 V, 60 Hz	F2			
SC18CLX.2	104L2198	LBP	1712	3393	5121	6156	–	3664	4.48	5974	5.31	–	–	1.08	103–127 V, 60 Hz	F2			
SC18MLX	104L2105	MBP	–	–	5191	6456	9691	–	–	6378	5.03	–	–	1.08	103–127 V, 60 Hz	F2			

Electrical equipment

Dimensions						LST (RSIR & RSCR) refer to data sheet for more info					Run capacitor (RC)		HST (CSIR & CSR) *alt. cable lengths avail.			LST/HST		
Height [inch]		Connectors location / I.D. [inch]				alt. connectors available	PTC starting device		PTC starting device with RC connector		ePTC	→ optional → compulsory*		Starting relay	Starting capacitor	Starting device*	Cord relief	Cover
A	B	Suction C (I.D.)	Process D (I.D.)	Dis-charge E (I.D.)	1/4 inch		3/16 inch	1/4 inch	3/16 inch	3/16 inch	1/4 inch	3/16 inch	1/4 inch	1/4 inch	1/4 inch			
6.8	6.7	0.26	0.26	0.20	X	–	–	–	–	–	–	–	117U4148	117U5025	–	117U0349	117U1021	
6.8	6.7	0.26	0.26	0.26	X	–	–	–	–	–	–	–	117U4148	117U5025	–	–	–	
8.0	7.8	0.32	0.26	0.26	X	–	–	–	–	–	–	–	117U4061	117U5025	–	117U0349	117U1021	
7.8	7.5	0.32	0.26	0.26	X	–	–	–	–	–	–	–	117U4129	117U5022	–	117U0349	117U1021	
8.2	8.0	0.32	0.26	0.26	X	–	–	–	–	–	–	–	117U6020	117U5023	–	103N1004	103N2008	
8.2	8.0	0.32	0.26	0.26	X	–	–	–	–	–	–	–	117U6020	117U5023	–	103N1004	103N2008	
8.2	8.0	0.32	0.26	0.26	X	–	–	–	–	–	–	–	117U6020	117U5023	–	103N1004	103N2008	
8.6	8.4	0.32	0.26	0.26	–	–	–	–	–	–	117-7133	–	117-7441	117U5042	117-7053	–	117U1021	
8.6	8.4	0.38	0.26	0.26	–	–	–	–	–	–	117-7114	–	117-7441	117U5043	117-7045	–	117U1021	
8.6	8.4	0.38	0.26	0.26	–	–	–	–	–	–	117-7114	–	117-7441	117U5043	117-7045	–	117U1021	
8.6	8.4	0.38	0.26	0.26	–	–	–	–	–	–	117-7114	–	117-7441	117U5043	117-7045	–	117U1021	
8.6	8.4	0.38	0.26	0.26	X	–	–	–	–	–	117-7114	–	117-7441	117U5043	117-7045	–	117U1021	
8.6	8.4	0.38	0.26	0.26	–	–	–	–	–	–	117-7114	–	117-7441	117U5043	117-7045	–	117U1021	

R404A / R507 · 220–240 V · 50/60 Hz | 208–230 V · 60 Hz

Compressor	Code number	Application	ASHRAE Capacity [BTU/h] Tc=130°F, Tliq=90°F, Tsuc=90°F Evaporating temperature [°F]						ASHRAE						Displacement [cu.in.]	Voltage and frequencies [*dual frequency type with 50/60 Hz]	Compressor cooling cooling (refer to data sheet)		
			LBP rating point -10°F / 130°F		MBP rating point 20°F / 130°F		HBP rating point 45°F / 130°F		Cooling capacity		EER		Cooling capacity					EER	
			-31	-13	5	14	32	50	[BTU/h]	[BTU/Wh]	[BTU/h]	[BTU/Wh]	[BTU/h]	[BTU/Wh]				[BTU/h]	[BTU/Wh]
NF7MLX	105F3720	MBP	–	–	2260	2843	4291	–	–	–	2819	5.33	–	–	0.44	187–254 V, 60 Hz *	F2		
NL6.1MLX	105F3611	MBP	–	–	1853	2331	3518	–	–	–	2311	5.52	–	–	0.37	187–254 V, 60 Hz *	F2		
SC10CLX	104L2533	L/MBP	529	1576	2786	3489	–	1763	3.95	–	–	–	–	0.63	198–254 V, 60 Hz *	F2			
SC10MLX	104L2506	MBP	–	1620	2874	3650	5578	–	1805	3.91	3636	5.22	–	–	0.63	187–254 V, 60 Hz *	F2		
SC12CLX	104L2695	LBP	771	2131	3744	4691	–	2378	4.20	–	–	–	–	0.79	198–254 V, 60 Hz	F2			
SC12CLX.2	104L2699	LBP	1081	2187	3704	4652	–	2408	4.33	–	–	–	–	0.79	187–254 V, 60 Hz	F2			
SC12CLX.2	104L2697	LBP	1081	2187	3704	4652	–	2408	4.07	–	–	–	–	0.79	198–254 V, 60 Hz *	F2			
SC12MLX	104L2606	MBP	–	1998	3445	4339	6563	–	2212	4.02	4305	5.18	–	–	0.79	187–254 V, 60 Hz *	F2		
SC15CLX	104L2854	LBP	800	2360	4141	5179	–	2636	4.20	–	–	–	–	0.93	198–254 V, 60 Hz	F2			
SC15CLX.2	104L2897	LBP	1409	2739	4564	5704	–	3005	4.53	–	–	–	–	0.93	187–254 V, 60 Hz	F2			
SC15MLX.2	104L2803	MBP	–	–	4210	5243	7918	–	–	5188	5.32	–	–	0.93	187–254 V, 60 Hz	F2			
SC18CLX.2	104L2195	LBP	1774	3516	5306	6379	–	3797	4.76	–	–	–	–	1.08	187–254 V, 60 Hz	F2			
SC18MLX	104L2138	MBP	–	–	5191	6456	9691	–	–	6378	5.03	–	–	1.08	187–254 V, 60 Hz	F2			
SC12/12CLX	104L4034	LBP	1533	4240	7450	9334	–	4733	4.18	–	–	–	–	1.57	198–254 V, 60 Hz	F2			
GS21CLX	107B0506	LBP	1993	3902	6548	8216	–	4286	4.60	–	–	–	–	1.29	187–254 V, 60 Hz	F2			
GS21MLX	107B0509	MBP	–	4156	6973	8695	13036	–	4580	4.99	8587	6.34	–	–	1.29	187–254 V, 60 Hz	F2		
GS26CLX	107B0505	LBP	2453	4456	7216	8995	–	4854	4.14	–	–	–	–	1.60	187–254 V, 60 Hz	F2			

Electrical equipment

Dimensions						LST (RSIR & RSCR) refer to data sheet for more info					Run capacitor (RC)		HST (CSIR & CSR) *alt. cable lengths avail.			LST/HST		
Height [inch]		Connectors location / I.D. [inch]				alt. connectors available	PTC starting device		PTC starting device with RC connector		ePTC	→ optional → compulsory*		Starting relay	Starting capacitor	Starting device*	Cord relief	Cover
A	B	Suction C (I.D.)	Process D (I.D.)	Dis-charge E (I.D.)	1/4 inch		3/16 inch	1/4 inch	3/16 inch	3/16 inch	1/4 inch	3/16 inch	1/4 inch	1/4 inch	1/4 inch			
8.0	7.8	0.38	0.26	0.26	X	–	–	–	–	–	–	–	117U4139	117U5018	–	117U0349	117U1021	
8.0	7.8	0.32	0.26	0.26	X	–	–	–	–	–	–	–	117U6022	117U5015	–	103N1010	103N2011	
8.2	8.0	0.32	0.24	0.24	X	–	–	–	–	–	–	–	117U6005	117U5017	–	103N1004	103N2008	
8.2	8.0	0.32	0.26	0.26	–	–	–	–	–	–	–	–	117U6011	117U5017	–	103N1004	103N2008	
8.6	8.4	0.32	0.24	0.24	X	–	–	–	–	–	–	–	117U6019	117U5017	–	103N1004	103N2008	
8.6	8.4	0.38	0.26	0.26	X	–	–	–	–	–	–	–	–	–	117-7027	103N1004	103N2008	
8.6	8.4	0.32	0.24	0.24	X	–	–	–	–	–	–	–	117U6019	117U5017	–	103N1004	103N2008	
8.6	8.4	0.32	0.26	0.26	–	–	–	–	–	–	–	–	117U6011	117U5017	–	103N1004	103N2008	
8.6	8.4	0.40	0.24	0.24	–	–	–	–	–	–	–	–	–	117U5373	117-7039	103N1004	103N2008	
8.6	8.4	0.38	0.26	0.26	X	–	–	–	–	–	–	–	–	117U5373	117-7039	103N1004	103N2008	
8.6	8.4	0.38	0.26	0.26	–	–	–	–	–	–	–	–	–	–	117-7058	103N1004	103N2008	
8.6	8.4	0.38	0.26	0.26	X	–	–	–	–	–	–	–	–	117U5373	117-7066	103N1004	103N2008	
8.6	8.4	0.38	0.26	0.26	–	–	–	–	–	–	–	–	–	–	117-7066	103N1004	103N2008	
10.2	10.0	0.47	0.24	0.24	–	–	–	–	–	–	–	–	117U6019	117U5017	–	103N1004	103N2009	
10.2	9.7	0.51	0.26	0.32	–	–	–	–	–	–	–	–	–	–	117-7073	–	107B9101	
11.0	10.5	0.51	0.26	0.38	–	–	–	–	–	–	–	–	–	–	117-7073	–	107B9106	
11.0	10.5	0.51	0.26	0.32	–	–	–	–	–	–	–	–	–	–	117-7073	–	107B9101	

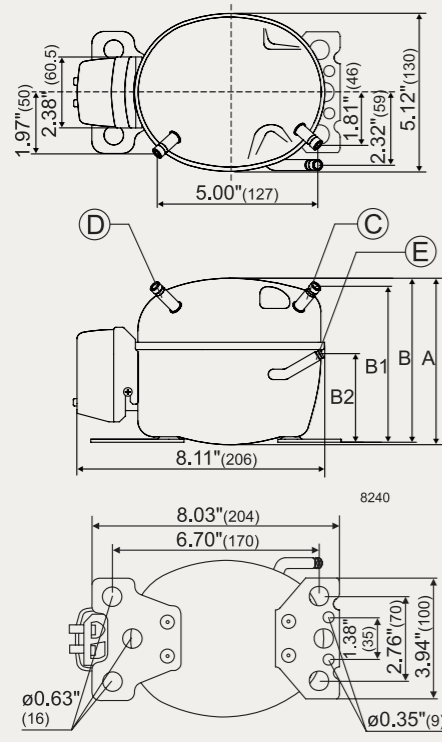


● Alternative refrigerant R452A, please refer to our data sheets

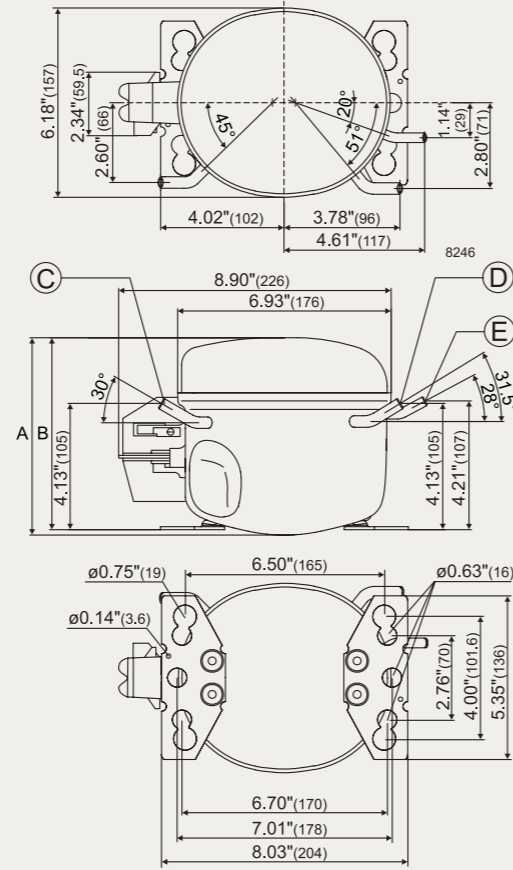


R452A

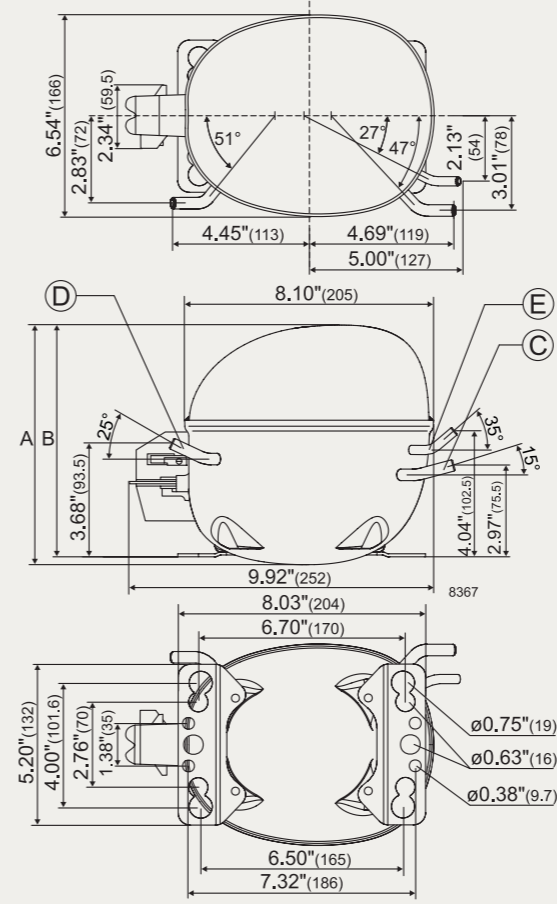
PL



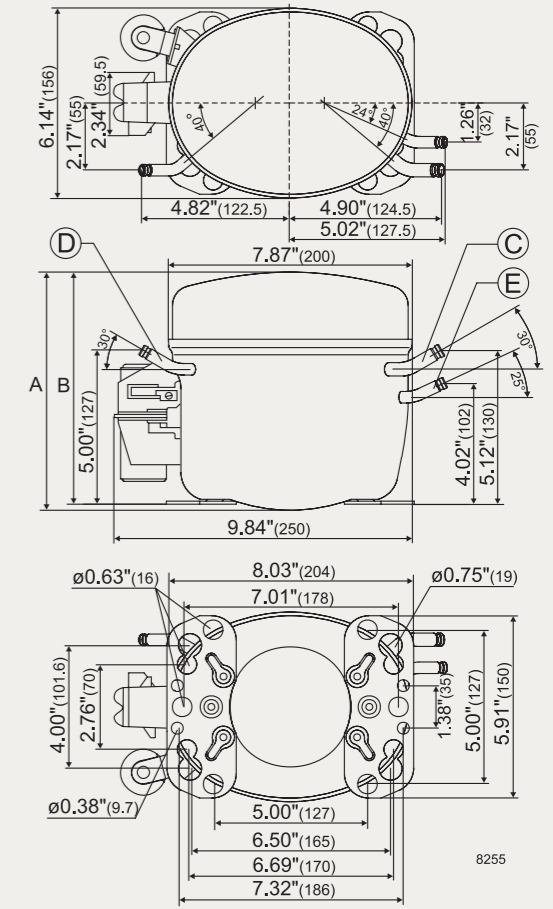
TF / TFS



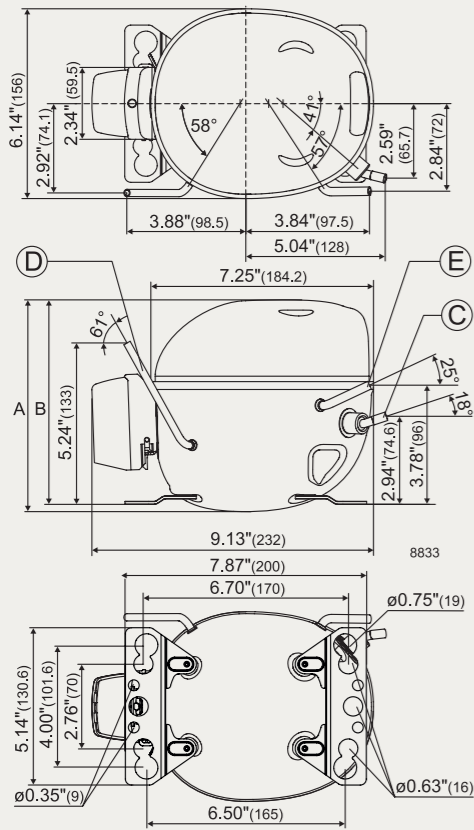
NF



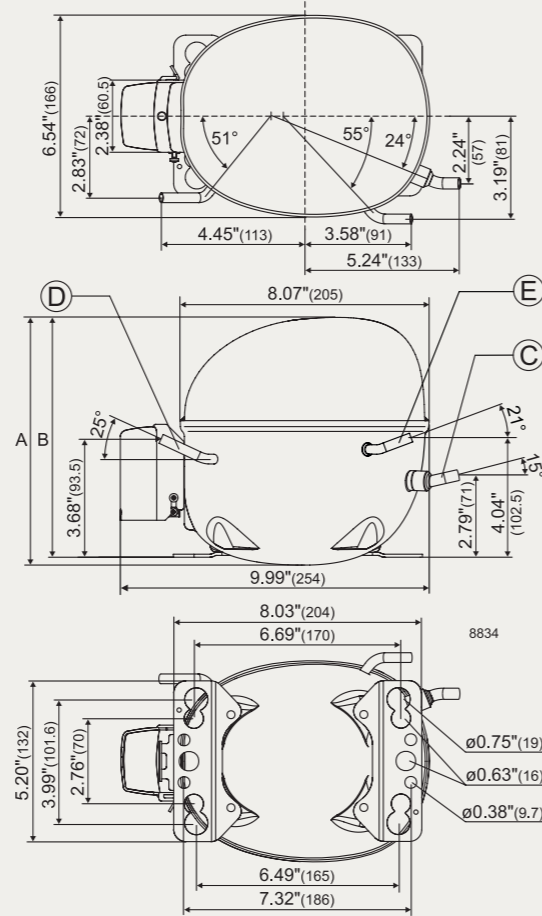
FF (FR similar)



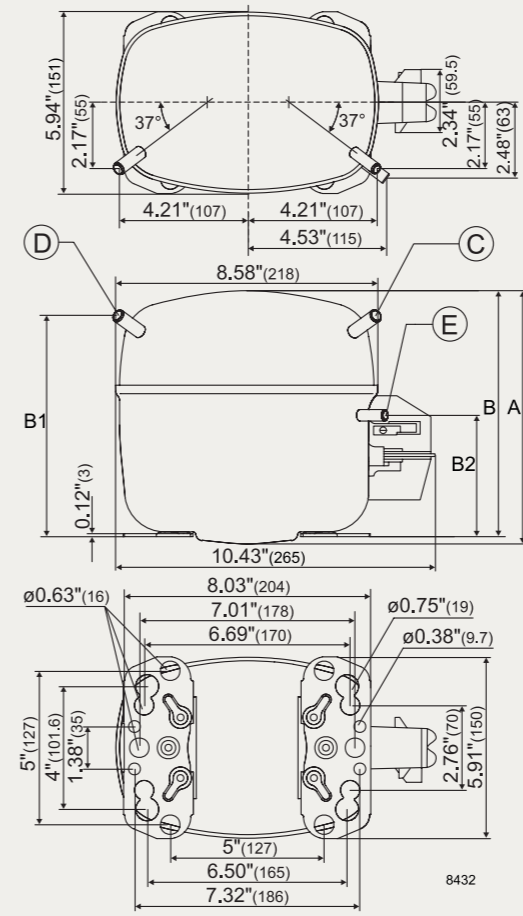
R290: DLE



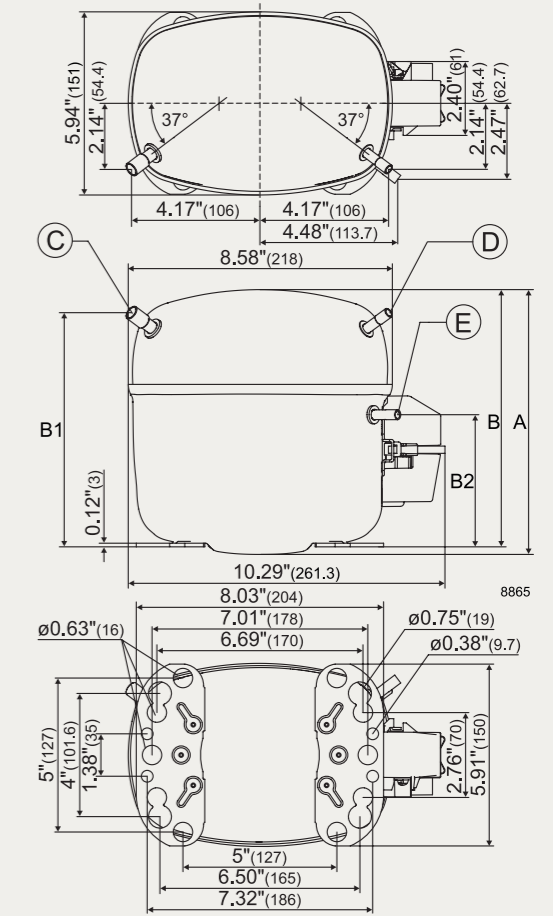
R290: NLE



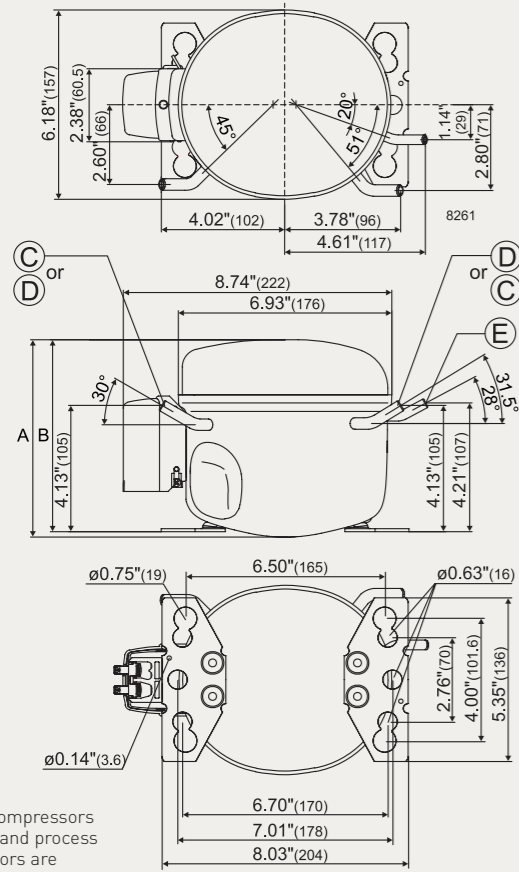
SC (external protector)



R290: SCE

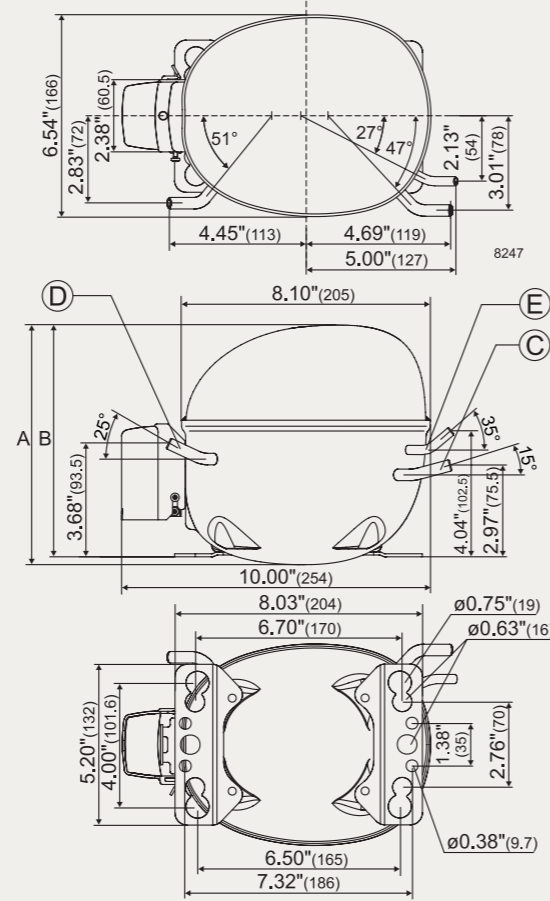


TL

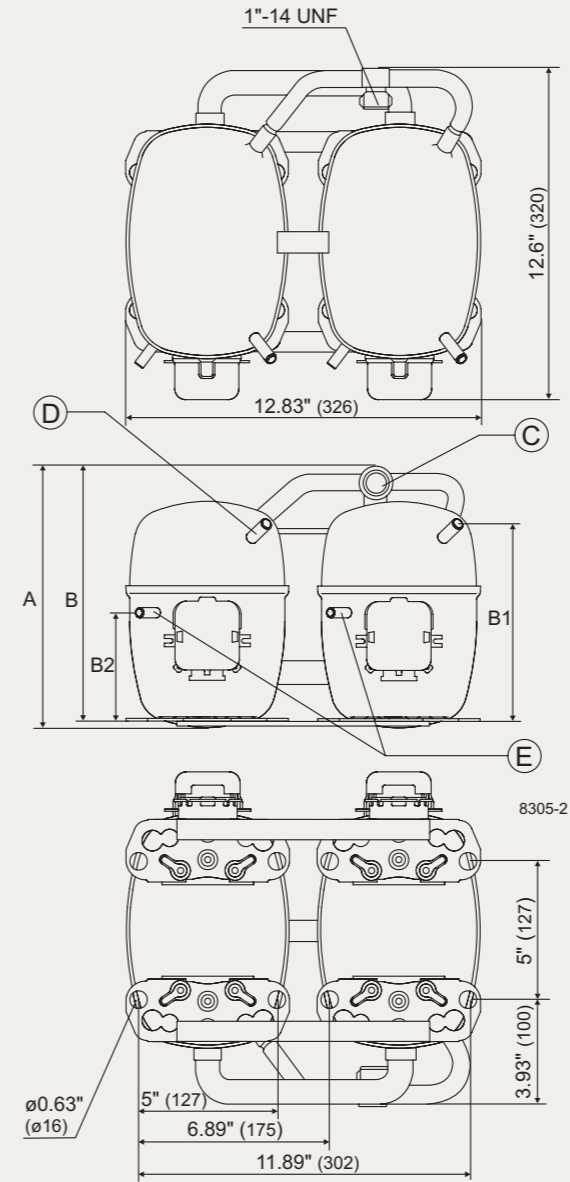


Note:
On TL compressors suction and process connectors are interchangeable.

NL (NLE similar)



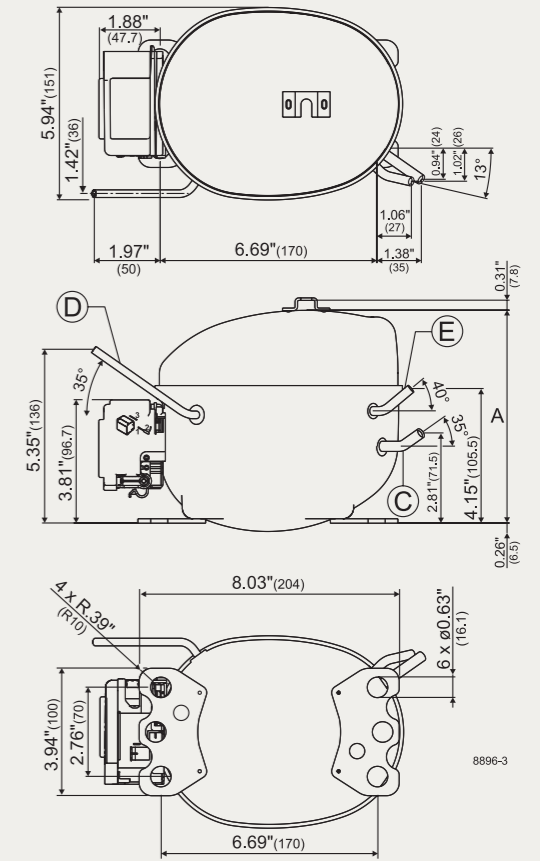
SC-Twin



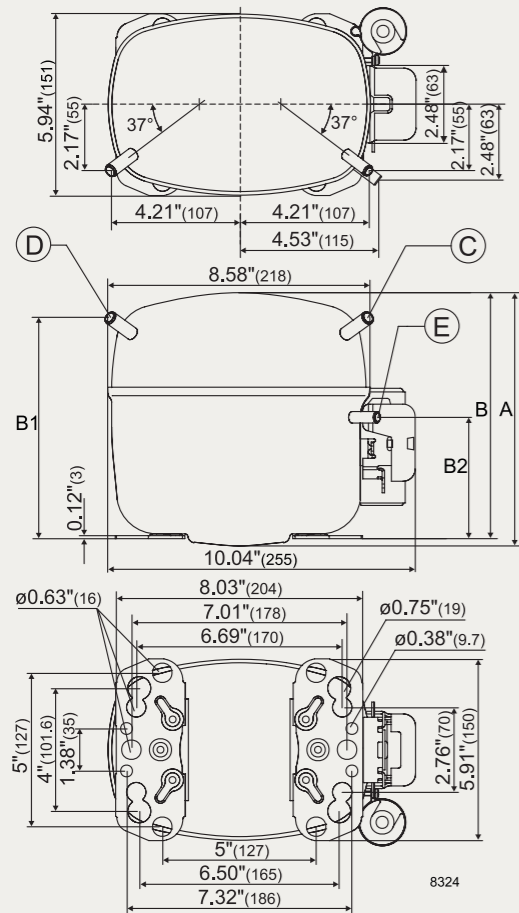
Accessories for SC Twin

- SC10/10, SC12/12 and SC15/15:**
Service valve for 12 mm tube 118-7350
Solder connector for 12 mm tube 104B0584
- SC18/18 and SC21/21:**
Service valve for 16mm tube 118-7351
Solder connector for 16mm tube 118-7405
- SC18/18 and SC21/21:**
Seal ring for service valve and solder connector 118-3638
Time delay relay 117N0001
Check valve (to be used with time delay relay) 020-1014

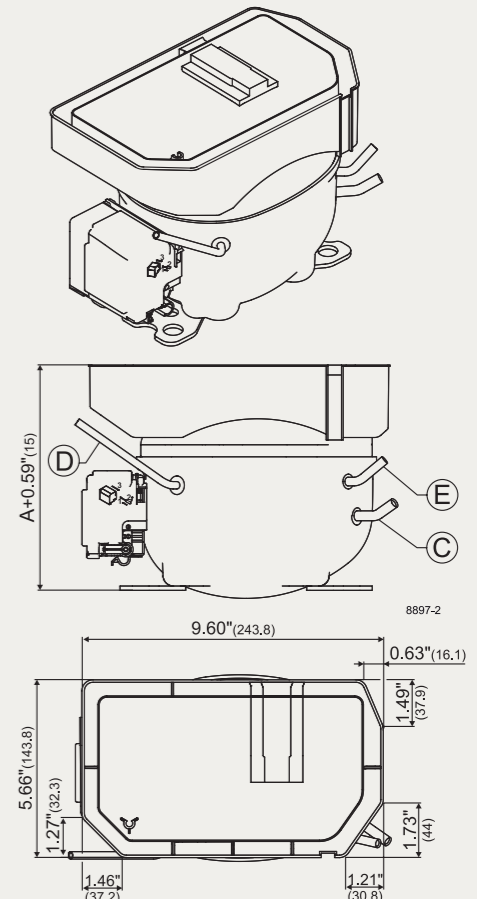
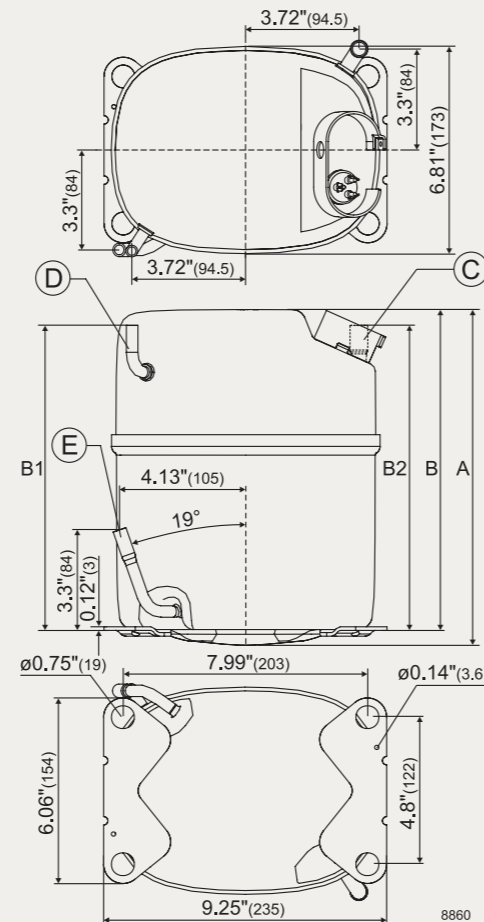
HXX (K-Series)



SC



GS



PRODUCT SELECTOR

selector.secop.com



selector.secop.com

Application Performance Data Sheet

Reset EN Help L-M-HBP Share Print Last Update 30.03.2021

SECOPI

Type designation ☰ variants	Code number	Displacement	Voltage				Refrigerant						Application				3D Model									
			220-240V/50Hz	110-115V/50Hz	115-127V/60Hz	208-230V/60Hz	12-24V DC	48V DC	R134a	R513A	R1234yf	R290	R404A	R452A	R407C	R600a		LBP	MBP	HBP	RSIR	RSCR	CSIR	CSCR	DC/PM	Data Sheet
BD1.4F-AUTO.3	10920106	1.41																								
BD1.4F-VSD-HD	10920250	1.41																								
BD1.4F-VSD.2	10920206	1.41	☑	☑	☑	☑	☑																			
BD1.4F-VSD.3	10920209	1.41																								
BD100CN	10120401	2																								
BD220CL 12V DC	10223020	3.86																								
BD250GH.2	10120405	2.5																								
BD250GH.2	10120406	2.5																								
BD250GH.2-HD	10120410	2.5																								
BD250GHS	10120411	2.5																								
BD350GH 12V DC	10223015	5.08																								
BD350GH 24V DC	10223016	5.08																								
BD350GH 48V DC	10223031	5.08																								

With its responsive web design, the latest version of Secop's Product Selector is working on various hardware platforms (PCs, tablets, smartphones, etc.) and features 10 languages.

The idea behind the new version is to set filters to find the right compressor for your cooling application, similar to the popular spreadsheet programs.

Also a simple data sheet search is possible via the third tab in the top menu. It is also possible to download all data sheets (or your selection) in one *.zip file or 3D model CAD files.

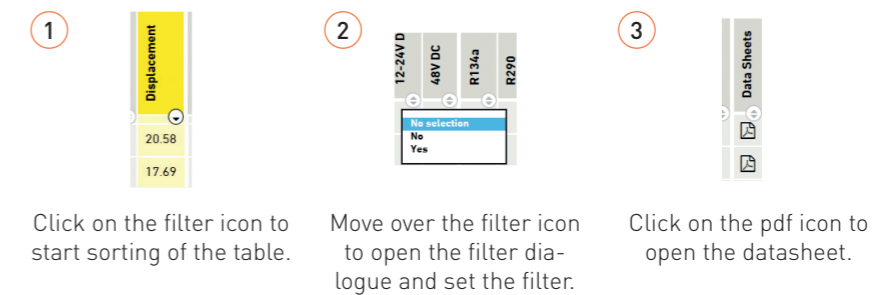
Functions of the Secop Product Selector – Application Search Level 1:

- Set one or more filters for Voltage, Refrigerant, Application, Motor to get a selection of possible hits quickly.
- Or type in the first letters of the compressor designation to display a table of compressors matching with your input (or code number).

For more technical information:

- When you find an interesting compressor, simply click on its code number to open Application search Level 2 which gives you a quick overview about variants of this model and some more technical data.
- Click on the pdf-symbol on the right border of the data line to open the compressor data sheet.

WORKSHEET FUNCTIONS



Click on the filter icon to start sorting of the table.

Move over the filter icon to open the filter dialogue and set the filter.

Click on the pdf icon to open the datasheet.

Functions of the Secop Product Selector – Performance Search Level 1:

- Set one or more filters for Motor, Refrigerant, or Application to get a selection of possible hits quickly.
- Appliance-guided compressor search:
 - select application area in the pull down dialogue in the top right corner
 - set filter (→ yes) to the desired application type listed up in right area of the table (move the table if needed: keep middle mouse button pushed while moving mouse to left or right)
 - set more filters to Refrigerant, Motor and Voltage to further specializing of the results

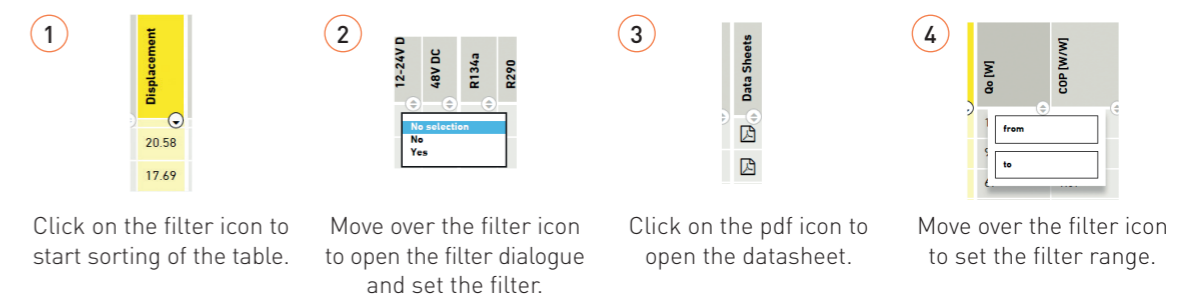
- Performance-guided compressor search:
 - select physical units and operation condition of the performance data (dialogue in top left corner)
 - type in ranges of cooling capacity or acceptable efficiency into performance filters
 - click on filter icon to sort the table (capacity or efficiency)

- Model-focused search: Type in the first letters of the compressor designation to show a table compressors matching with your input (or code number).

For more technical information:

- When you found an interesting compressor simply click on its Designation to open Performance search Level 2 which gives you a fast overview about most important technical data.
- Click on the pdf symbol on the right border of the data-line to open the compressor data sheet.

WORKSHEET FUNCTIONS



Click on the filter icon to start sorting of the table.

Move over the filter icon to open the filter dialogue and set the filter.

Click on the pdf icon to open the datasheet.

Move over the filter icon to set the filter range.

SECOP GROUP: AROUND THE WORLD

SECOP

12
international
partners for
advanced
developments

33
laboratories
located in Austria,
Germany, Slovakia,
China, US, and
Turkey

180
R&D engineers
and technicians

440
patents globally

50+
countries with
customer support

WE SUPPORT









Since 2011 Secop has been committed to the UN Global Compact corporate responsibility initiative and its principles in the areas of human rights, labor, the environment and anti-corruption.



Secop is the expert for advanced hermetic compressor technologies and cooling solutions in commercial refrigeration. We develop high performance stationary and mobile cooling solutions for leading international commercial refrigeration manufacturers and are the first choice when it comes to leading hermetic compressors and electronic controls for refrigeration solutions for light commercial and DC-powered applications.

Secop has a long track record of successful projects to adopt energy efficient and green refrigerants that feature innovative solutions for both compressors and control electronics.

-  **Flensburg:** Sales and R&D
-  **Zlaté Moravce:** R&D, Logistics and Manufacturing
-  **Turin:** Sales
-  **Tianjin:** Sales, R&D, Logistics and Manufacturing
-  **Gleisdorf:** R&D
-  **Atlanta:** Sales, R&D and Logistics



**MOBILE
COOLING**



**STATIONARY
COOLING**



Secop GmbH · Mads-Clausen-Str. 7 · 24939 Flensburg, Germany · Tel: +49 461 4941 0 · www.secop.com

Secop accepts no responsibility for possible errors in catalogs, brochures, and other printed material. Secop reserves the right to alter its products without notice. This also applies to products already on order provided that such alterations can be made without subsequent changes being necessary to specifications already agreed. All trademarks in this material are the property of the respective companies. Secop and the Secop logotype are trademarks of Secop GmbH. All rights reserved.