

Secop strives to be the first choice for partners searching for leading-edge refrigeration solutions and premium customer experience.

Secop is committed to delivering advanced refrigeration compressors and controls, offering customers tailored sustainable solutions for light commercial, battery-driven, and special cooling applications.

HERMETIC COMPRESSORS



DC VOLTAGE

TECHNICAL DATA



VARIABLE
SPEED DRIVE



PREMIUM
CONTROLLERS



MOBILE
COOLING



TABLE OF CONTENTS

1	BD Compressors – Technical Data & Electronics Units	3
	BD Micro · R134a · R1234yf	4
	BD P-Housing · R134a	6
	BD P-Housing · R600a · R290	8
	BD T-Housing · R134a · R404A/R507	10
	Code Numbers BD35/50/80F BD250GH.2 BD35F-HD.2 BD35F-B BD35/50K BD80/100CN	12
	Code Numbers BD250GH.2 BD350GH with 101N07xx Series Controllers	14
	Code Numbers BD350GH BD220CL with 101N08xx Series Controllers	16
	Code Numbers BD1.4F-AUTO.3 BD1.4F-VSD.2/3 BD1.4F-VSD-HD	18
	Electronic Units – Technical Data	20
	Electronic Units – Housings	22
2	BD Compressors – Product Range	24
3	Product Selector in Detail	26

BD COMPRESSORS – TECHNICAL DATA & ELECTRONICS UNITS



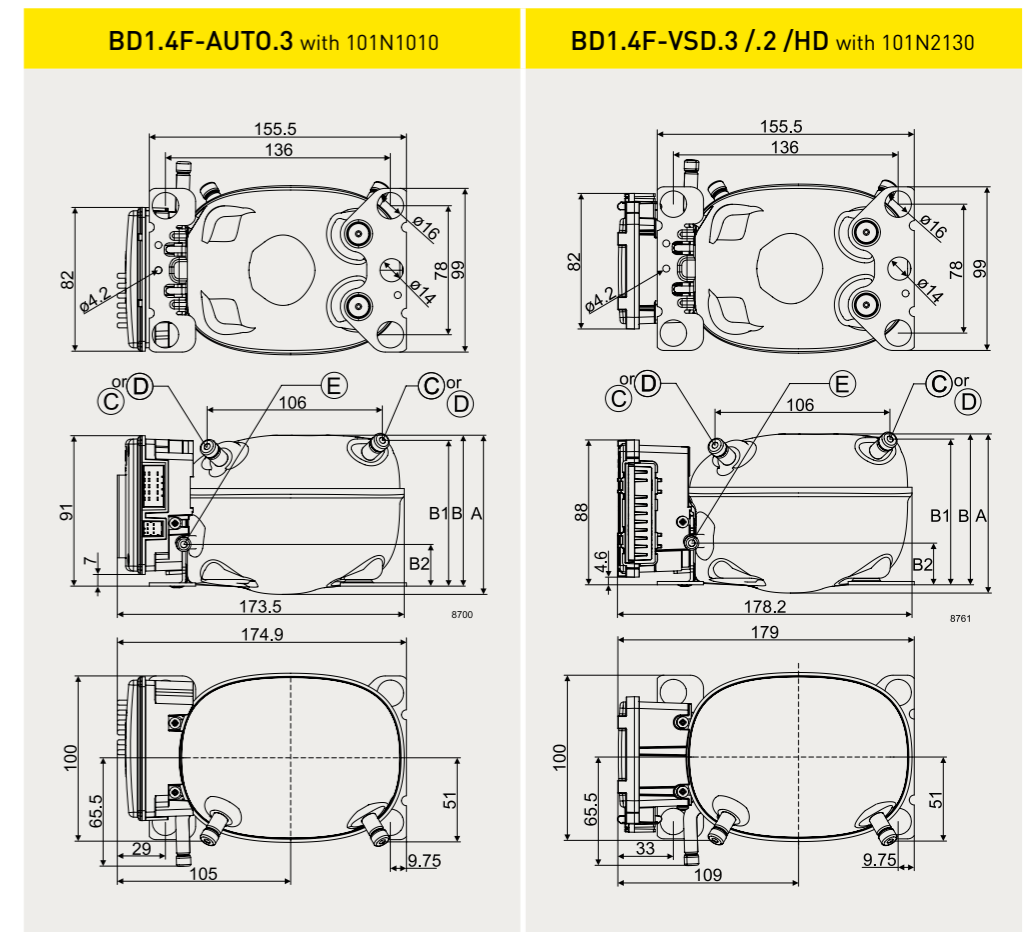
BD Micro · R134a · R1234yf

Compressor	Code number	Application	ASHRAE Capacity [W] Tc=54.4°C, Tliq=32.2°C, Tsuc=32.2°C Evaporating temperature [°C]						ASHRAE						Displacement [cm³]	Power [HP]	Compressor Cooling [refer to data sheet]		
			LBP rating point -23.3°C / 54.4°C		MBP rating point -6.7°C / 54.4°C		HBP rating point 7.2°C / 54.4°C		Cooling capacity		COP		Cooling capacity					COP	
			-35	-15	-5	0	10	15	Cooling capacity	COP	Cooling capacity	COP	Cooling capacity	COP				Cooling capacity	COP
			[W]	[W]	[W]	[W]	[W]	[W]	[W/W]	[W/W]	[W]	[W/W]	[W]	[W/W]				[W]	[W/W]
BD1.4F-AUTO.3 3000 rpm	109Z0106	L/MBP	-	47	83	106	-	-	24	0.93	68	1.60	-	-	1.41	1/12	S		
BD1.4F-VSD.3 2000 rpm	109Z0209	L/MBP	-	28	52	68	105	126	14	0.83	43	1.53	83	2.05	1.41	1/12	S		
BD1.4F-VSD.3 4000 rpm	109Z0209	L/MBP	-	65	114	144	214	254	34	0.94	94	1.59	172	2.23	1.41	1/12	S		
BD1.4F-VSD.2 2000 rpm	109Z0206	L/MBP	-	28	52	68	105	126	14	0.83	43	1.53	83	2.05	1.41	1/12	S		
BD1.4F-VSD.2 4000 rpm	109Z0206	L/MBP	-	65	114	144	214	254	34	0.94	94	1.59	172	2.23	1.41	1/12	S		
BD1.4F-VSD-HD 2000 rpm	109Z0250	L/MBP	-	28	52	68	105	126	14	0.83	43	1.53	83	2.05	1.41	1/12	S		
BD1.4F-VSD-HD 4000 rpm	109Z0250	L/MBP	-	65	114	144	214	254	34	0.94	94	1.59	172	2.23	1.41	1/12	S		
BD1.4F-VSD-HD 2000 rpm	109Z0251	L/MBP	-	28	52	68	105	126	14	0.83	43	1.53	83	2.05	1.41	1/12	S		
BD1.4F-VSD-HD 4000 rpm	109Z0251	L/MBP	-	65	114	144	214	254	34	0.94	94	1.59	172	2.23	1.41	1/12	S		

Please refer to the individual compressor data sheets for the complete application range.

Compressor	Code number	Electronic unit		
		Variable Speed [VSD] 12-24 V DC 101N2130	Variable Speed [VSD] with AC/DC converter 12-24 V DC & 100-240 V AC 101N5100	Automotive 12 V DC 101N1010
BD1.4F-AUTO.3	109Z0106	-	-	✓
BD1.4F-VSD.3	109Z0209	✓	-	-
BD1.4F-VSD-HD	109Z0250	✓	-	-
BD1.4F-VSD.2 (inch connectors)	109Z0206	✓	✓	-
BD1.4F-VSD-HD (inch connectors)	109Z0251	✓	-	-

CECOMAF Capacity [W] Tc=55°C, Tliq=55°C, Tsuc=32°C Evaporating temperature [°C]						CECOMAF						Dimensions					Voltage range (refer to data sheet)		
LBP rating point -25°C / 55°C		MBP rating point -10°C / 55°C		HBP rating point 5°C / 55°C		Cooling capacity		COP		Cooling capacity		COP		Height [mm]		Connectors location/I.D. [mm]			
-35	-15	-5	0	10	15	Cooling capacity	COP	Cooling capacity	COP	Cooling capacity	COP	Cooling capacity	COP	A (I.D.)	B (I.D.)	Suction (I.D.)		Process (I.D.)	Discharge (I.D.)
[W]	[W]	[W]	[W]	[W]	[W]	[W]	[W/W]	[W]	[W/W]	[W]	[W/W]	[W]	[W/W]	[mm]	[mm]	[mm]		[mm]	[mm]
-	37	67	85	-	-	16	0.67	51	1.30	105	1.88	96.0	91.0	6.20	6.20	5.00	-	-	8.5-17 V DC
-	22	42	54	84	101	9	0.59	31	1.24	68	1.76	96.0	91.0	6.20	6.20	5.00	-	-	9.6-17, 19-34 V DC
-	52	92	116	172	203	23	0.68	71	1.30	142	1.91	96.0	91.0	6.20	6.20	5.00	-	-	100-240 V, 50/60 Hz
-	22	42	54	84	101	9	0.59	31	1.24	68	1.76	96.0	91.0	6.50	6.50	5.00	-	-	9.6-17, 19-34 V DC
-	52	92	116	172	203	23	0.68	71	1.30	142	1.91	96.0	91.0	6.50	6.50	5.00	-	-	100-240 V, 50/60 Hz
-	22	42	54	84	101	9	0.59	31	1.24	68	1.76	96.0	91.0	6.20	6.20	5.00	-	-	9.6-17, 19-34 V DC
-	52	92	116	172	203	23	0.68	71	1.30	142	1.91	96.0	91.0	6.20	6.20	5.00	-	-	100-240 V, 50/60 Hz
-	22	42	54	84	101	9	0.59	31	1.24	68	1.76	96.0	91.0	6.50	6.50	5.00	-	-	9.6-17, 19-34 V DC
-	52	92	116	172	203	23	0.68	71	1.30	142	1.91	96.0	91.0	6.50	6.50	5.00	-	-	100-240 V, 50/60 Hz



● Alternative refrigerant R1234yf, please refer to our data sheets



R1234yf

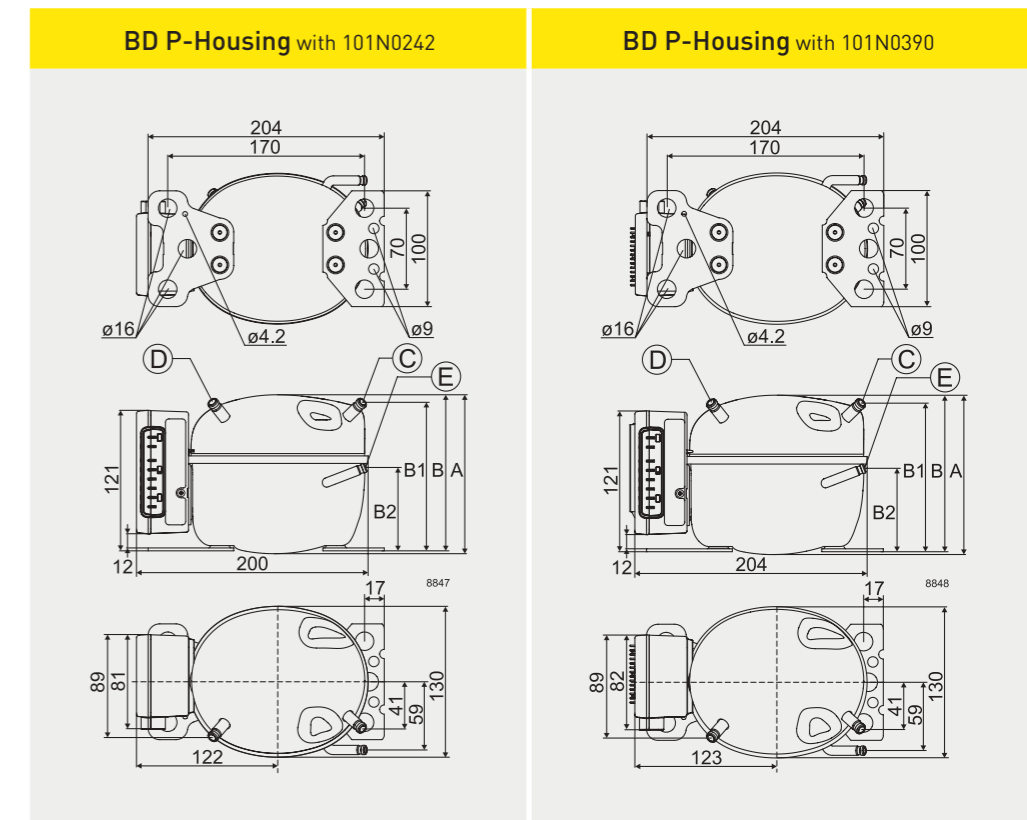
BD P-Housing · R600a · R290

Compressor	Code number	Application	ASHRAE Capacity [W] Tc=54.4°C, Tliq=32.2°C, Tsuc=32.2°C Evaporating temperature [°C]						ASHRAE						Displacement [cm³]	Power [HP]	Compressor Cooling [refer to data sheet]		
			LBP rating point -23.3°C / 54.4°C		MBP rating point -6.7°C / 54.4°C		HBP rating point 7.2°C / 54.4°C		Cooling capacity		COP		Cooling capacity					COP	
			-35	-15	-5	0	10	15	[W]	[W/W]	[W]	[W/W]	[W]	[W/W]				[W]	[W/W]
BD35K 2000 rpm	101Z0211	L/M/HBP	-	48	78	97	142	-	29	1.27	65	1.86	115	2.53	3.00	1/12	S		
BD35K 3500 rpm	101Z0211	L/M/HBP	-	79	130	-	-	-	49	1.13	108	1.67	-	-	3.00	1/12	S		
BD35K-B 2000 rpm	101Z0214	L/M/HBP	-	48	78	97	142	-	29	1.27	65	1.86	115	2.53	3.00	1/12	S		
BD35K-B 3500 rpm	101Z0214	L/M/HBP	-	79	130	-	-	-	49	1.13	108	1.67	-	-	3.00	1/12	S		
BD50K 2500 rpm	101Z0213	L/M/HBP	-	53	89	112	168	-	32	1.17	74	1.94	136	2.76	3.00	1/12	S		
BD50K 4400 rpm	101Z0213	L/M/HBP	-	94	158	198	296	-	57	1.08	131	1.59	240	2.26	3.00	1/12	S		
BD80CN 2000 rpm	101Z0403	L/MBP	23	78	122	149	-	-	51	1.40	102	1.92	-	-	2.00	1/12	S		
BD80CN 3500 rpm	101Z0403	L/MBP	44	137	219	-	-	-	89	1.14	182	1.84	-	-	2.00	1/12	S		
BD100CN 2500 rpm	101Z0401	L/MBP	10	109	158	190	-	-	73	1.34	133	1.77	-	-	2.00	1/12	S		
BD100CN 4400 rpm	101Z0401	L/MBP	58	176	265	-	-	-	119	1.26	222	1.61	-	-	2.00	1/8	S		

K → R600a
 CN → R290
 -B = optimized for rough vehicle motions, especially in buses Please refer to the individual compressor data sheets for the complete application range.

Compressor	Code number	Electronic units					
		Standard 12-24 V DC 101N0242	High Speed 12-24 V DC 101N0390	AEO 12-24 V DC 101N0340	Solar 10-45 V DC 101N0420	AC/DC converter 12-24 V DC & 100-240 V AC 101N0510	Automotive 12-24 V DC 101N0680
BD35K /-B	101Z0211 /214	✓	-	✓	✓	✓	✓
BD50K	101Z0213	-	✓	-	-	-	-
BD80CN	101Z0403	✓	-	✓	✓	✓	✓
BD100CN	101Z0401	-	✓	-	-	-	-

CECOMAF Capacity [W] Tc=55°C, Tliq=55°C, Tsuc=32°C Evaporating temperature [°C]						CECOMAF						Dimensions					Voltage range (refer to data sheet)		
LBP rating point -25°C / 55°C		MBP rating point -10°C / 55°C		HBP rating point 5°C / 55°C		Cooling capacity		COP		Cooling capacity		COP		Height [mm]		Connectors location/I.D. [mm]			
-35	-15	-5	0	10	15	[W]	[W/W]	[W]	[W/W]	[W]	[W/W]	[W]	[W/W]	A (I.D.)	B (I.D.)	C (I.D.)		D (I.D.)	E (I.D.)
-	40	64	79	116	-	21	0.97	51	1.56	96	2.18	137.0	135.0	6.20	6.20	5.00	9.6-17, 21.3-31.5 V DC 100-240 V, 50/60 Hz 10-45 V DC solar		
-	65	106	-	-	-	36	0.87	84	1.39	-	-	137.0	135.0	6.20	6.20	5.00			
-	40	64	79	116	-	21	0.97	51	1.56	96	2.18	137.0	135.0	6.20	6.20	5.00	9.6-17, 21.3-31.5 V DC 100-240 V, 50/60 Hz 10-45 V DC solar		
-	65	106	-	-	-	36	0.87	84	1.39	-	-	137.0	135.0	6.20	6.20	5.00			
-	44	73	92	137	-	24	0.89	57	1.60	113	2.37	137.0	135.0	6.20	6.20	5.00	9.6-17, 21.3-31.5 V DC		
-	77	129	162	242	-	42	0.84	101	1.32	199	1.94	137.0	135.0	6.20	6.20	5.00			
18	63	98	120	-	-	37	1.07	80	1.61	144	2.20	137.0	135.0	6.20	6.20	5.00	9.6-17, 21.3-31.5 V DC 100-240 Hz, 50/60 Hz 10-45 V DC solar		
36	111	177	-	-	-	66	0.88	141	1.45	-	-	137.0	135.0	6.20	6.20	5.00			
7	88	128	154	-	-	52	0.99	107	1.49	186	2.08	137.0	135.0	6.20	6.20	5.00	9.6-17, 21.3-31.5 V DC		
47	142	214	-	-	-	88	0.98	175	1.35	-	-	137.0	135.0	6.20	6.20	5.00			



BD T-Housing · R134a · R404A/R507

Compressor	Code number	Application	ASHRAE Capacity [W] Tc=54.4°C, Tliq=32.2°C, Tsuc=32.2°C Evaporating temperature [°C]							ASHRAE						Displacement [cm³]	Power [HP]	Compressor Cooling [refer to data sheet]
			LBP rating point -23.3°C / 54.4°C		MBP rating point -6.7°C / 54.4°C		HBP rating point 7.2°C / 54.4°C			Cooling capacity [W]	COP [W/W]	Cooling capacity [W]	COP [W/W]	Cooling capacity [W]	COP [W/W]			
			-35	-15	-5	0	10	15										
BD350GH (12V) 2500 rpm	102Z3015	L/M/HBP	-	188	302	375	558	670	120	1.26	250	1.65	447	2.20	5.08	1/7	F1	
BD350GH (12V) 4000 rpm	102Z3015	L/M/HBP	-	273	440	546	814	979	173	1.16	364	1.47	653	1.94	5.08	1/5	F1	
BD350GH (24V) 2500 rpm	102Z3016	L/M/HBP	-	182	292	363	539	648	116	1.42	242	1.87	433	2.49	5.08	1/8	F1	
BD350GH (24V) 4000 rpm	102Z3016	L/M/HBP	-	273	440	546	814	979	173	1.34	364	1.73	653	2.29	5.08	1/5	F1	
BD350GH (24V) 2500 rpm*	102Z3039	L/M/HBP	-	182	292	363	539	648	116	1.42	242	1.87	433	2.49	5.08	1/8	F1	
BD350GH (24V) 4000 rpm*	102Z3039	L/M/HBP	-	273	440	546	814	979	173	1.34	364	1.73	653	2.29	5.08	1/5	F1	
BD350GH (48V) 2500 rpm	102Z3031	L/M/HBP	-	182	292	363	539	648	116	1.30	242	1.77	433	2.41	5.08	1/8	F1	
BD350GH (48V) 4000 rpm	102Z3031	L/M/HBP	-	267	434	541	808	973	167	1.21	359	1.59	647	2.13	5.08	1/5	F1	
BD220CL 2500 rpm	102Z3020	L/M/HBP	69	241	375	-	-	-	156	1.14	300	1.50	-	-	3.86	1/7	S	
BD220CL 4000 rpm	102Z3020	L/M/HBP	108	378	589	-	-	-	245	1.19	472	1.47	-	-	3.86	1/4	S	

GH → R134a

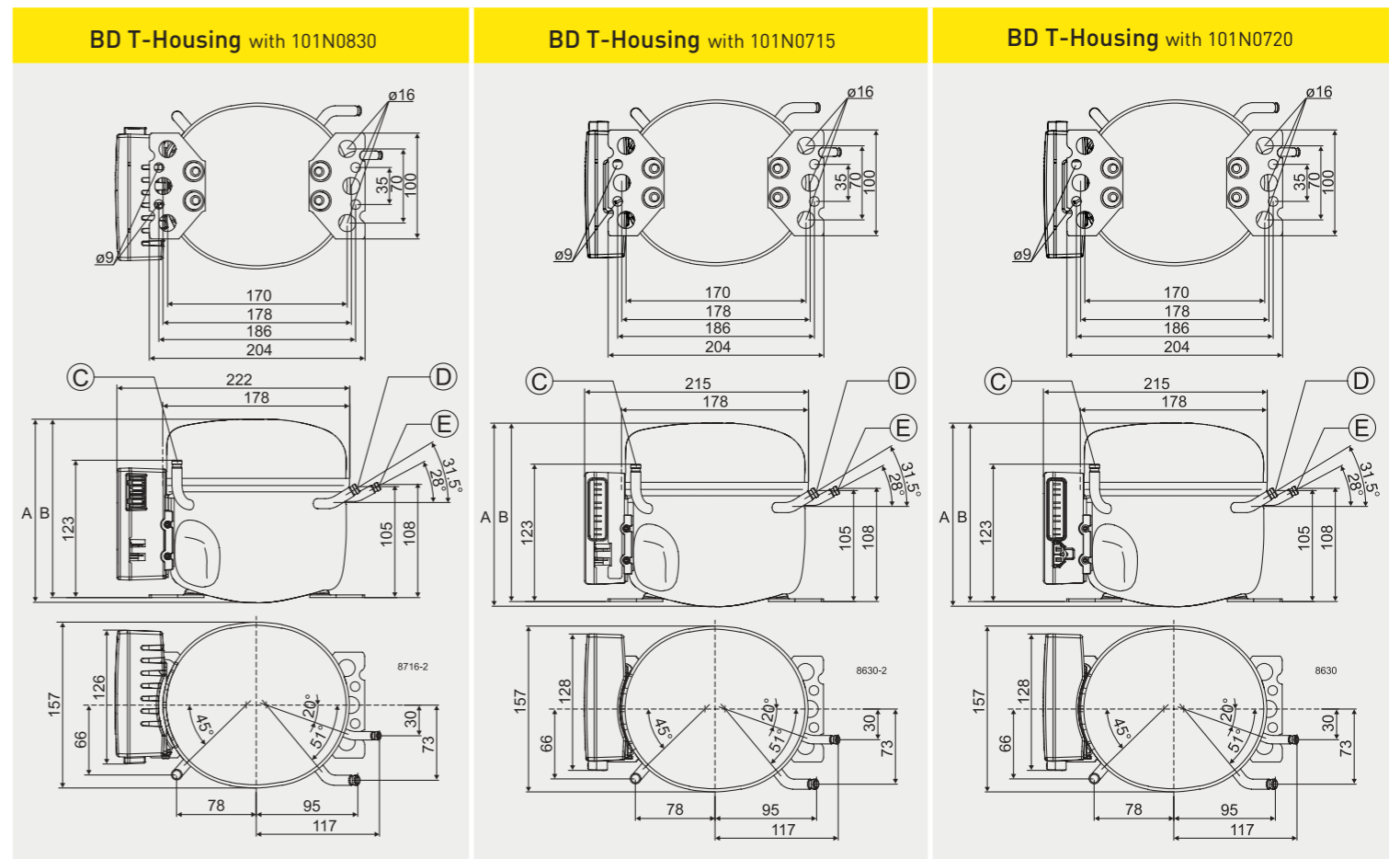
CL → R404A/R507

* = optimized for rough vehicle motions

Please refer to the individual compressor data sheets for the complete application range.

Compressor	Code number	Electronic unit			
		101N08xxx 12 V DC 101N0820+0800 (alt.: 101N0830)	101N8xxx 24 V DC 101N0820+0810	101N07xx 24 V DC 101N0715	Telecom 48 V DC 101N0720
BD350GH (12V)	102Z3015	✓+✓	-	-	-
BD350GH (24V)	102Z3016	-	✓+✓	✓	-
BD350GH (24V)*	102Z3039	-	-	✓	-
BD350GH (48V)	102Z3031	-	-	-	✓
BD220CL	102Z3020	✓+✓	-	-	-

CECOMAF Capacity [W] Tc=55°C, Tliq=55°C, Tsuc=32°C Evaporating temperature [°C]							CECOMAF						Dimensions					Voltage range (refer to data sheet)
LBP rating point -25°C / 55°C		MBP rating point -10°C / 55°C		HBP rating point 5°C / 55°C			Height [mm]		Connectors location/I.D. [mm]			Suction Process Discharge C (I.D.) D (I.D.) E (I.D.)						
Cooling capacity [W]	COP [W/W]	Cooling capacity [W]	COP [W/W]	Cooling capacity [W]	COP [W/W]	A (I.D.)	B (I.D.)											
-35	-15	-5	0	10	15	Cooling capacity [W]	COP [W/W]	Cooling capacity [W]	COP [W/W]	Cooling capacity [W]	COP [W/W]	A (I.D.)	B (I.D.)	C (I.D.)	D (I.D.)	E (I.D.)	9.6-17 V DC	
-	152	244	302	448	538	88	0.97	194	1.38	370	1.89	173.0	169.0	6.20	6.20	5.00		
-	220	355	440	654	786	126	0.90	282	1.24	540	1.66	173.0	169.0	6.20	6.20	5.00	19-31.5 V DC	
-	147	236	292	434	520	85	1.09	188	1.56	358	2.13	173.0	169.0	6.20	6.20	5.00		
-	220	355	440	654	786	126	1.03	282	1.45	540	1.96	173.0	169.0	6.20	6.20	5.00	19-31.5 V DC	
-	147	236	292	434	520	85	1.09	188	1.56	358	2.13	173.0	169.0	6.20	6.20	5.00		
-	220	355	440	654	786	126	1.03	282	1.45	540	1.96	173.0	169.0	6.20	6.20	5.00	32-60 V DC	
-	147	236	292	434	520	85	0.99	188	1.48	358	2.06	173.0	169.0	6.20	6.20	5.00		
-	216	350	436	650	781	121	0.92	277	1.33	535	1.82	173.0	169.0	6.20	6.20	5.00	9.6-17 V DC	
51	178	275	-	-	-	105	0.80	223	1.20	-	-	173.0	169.0	6.20	6.20	5.00		
80	279	433	-	-	-	164	0.84	351	1.18	-	-	173.0	169.0	6.20	6.20	5.00		



CODE NUMBERS

BD35/50/80F | BD250GH.2
 BD35F-HD.2 | BD35F-B
 BD35/50K | BD80/100CN



Compressors	Code number	Description
BD35F	101Z0200	standard compressor, mm tube connectors
BD35F inch	101Z0204	same as 101Z0200, inch tube connectors
BD35F-B	101Z0205	optimized for rough vehicle motions (especially in buses), mm tube connectors
BD35F-HD.2	101Z0216	heavy duty version which can handle extreme vibrations, mm tube connectors
BD35K (R600a)	101Z0211	mainly solar applications, mm tube connectors
BD35K-B (R600a)	101Z0214	optimized for rough vehicle motions (especially in buses), other HD applications, mm tube connectors
BD50K (R600a)	101Z0213	standard compressor, mm tube connectors
BD50F	101Z1220	standard compressor, mm tube connectors
BD50F inch	101Z0203	same as 101Z1220, inch tube connectors
BD80F	101Z0280	standard compressor, mm tube connectors
BD250GH.2	101Z0406	mm tube connectors, HBP compressor
BD80CN (R290)	101Z0403	mm tube connectors
BD100CN (R290)	101Z0401	mm tube connectors

Electronic Unit Single Pack	Code number	Description
Standard, for gateway or sensors refer to next page	101N0242	for BD35F/BD50F/BD35K, speed setting, battery protection, ECO function, communication interface for PC software Tool4Cool®, high starting torque (HST), reduced EMI and leakage current
AEO	101N0340	for BD35F/BD50F/BD80CN, Adaptive Energy Optimization
High speed	101N0390	for BD80F/BD250GH.2/etc., Adaptive Energy Optimization, speed setting, battery protection
Solar 10-45 V DC	101N0420	for BD35F/BD35K, optimized for direct solar panel operation, speed setting
AC/DC converter	101N0510	for BD35F/BD50F/BD35K, speed setting, battery protection, integrated AC/DC converter
Automotive, for gateway or sensors refer to next page	101N0680	for BD35F/BD50F, speed setting, battery protection, ECO function, communication interface for PC software Tool4Cool®, high starting torque (HST), significant reduced EMI and leakage current
Remote kit with cable	105N9100	bracket, cover, 750 mm cable with two plugs
Remote kit without cable	105N9210	bracket, cover, two plugs

Electronic Unit I - Pack	Code number	Description
Standard, for gateway or sensors refer to next page	101N0243	for BD35F/BD50F/BD35K, speed setting, battery protection, ECO function, communication interface for PC software Tool4Cool®, high starting torque (HST), reduced EMI and leakage current, 30 pcs.
AEO	101N0341	for BD35F/BD50F/BD80CN, Adaptive Energy Optimization, 30 pcs.
High speed	101N0391	for BD80F/BD250GH.2/etc., Adaptive Energy Optimization, speed setting, battery protection, 30 pcs.
Solar 10-45 V DC	101N0421	for BD35F/BD35K, optimized for direct solar panel operation, speed setting, 30 pcs.
AC/DC converter	101N0511	for BD35F/BD50F/BD35K, speed setting, battery protection, integrated AC/DC converter, 28 pcs.
Automotive, for gateway or sensors refer to next page	101N0681	for BD35F/BD50F, speed setting, battery protection, ECO function, communication interface for PC software Tool4Cool®, high starting torque (HST), significant reduced EMI and leakage current, 30 pcs.
Remote kit without cable	105N9200	bracket, cover and two plugs, 200 pcs.



SOFTWARE DOWNLOAD

Tool4Cool® LabEdition
www.secop.com/tool4cool

CODE NUMBERS

BD250GH.2 | BD350GH WITH 101N07XX SERIES CONTROLLERS



	Item	Code number	Description
Compressors	BD250GH.2 48 V DC supply	101Z0405	for telecommunication applications (battery cooling)
	BD250GH.2-HD 48 V DC supply	101Z0410	for cooling and comfort cooling in trucks and vans
	BD350GH 24 V DC supply	102Z3016	for cooling and comfort cooling in trucks and vans
	BD350GH 24 V DC supply	102Z3039	for cooling and comfort cooling in trucks and vans
	BD350GH 48 V DC supply	101Z3031	for telecommunication applications (battery cooling)

Single-Pack	Electronic unit 24 V DC	101N0715	for BD350GH (24 V), 40/60 W fan output, ECO function
	Electronic unit 48 V DC	101N0732	for BD250GH.2 (48 V), 60 W fan output, ECO function
	Electronic unit 48 V DC	101N0720	for BD350GH (48 V), 60 W fan output, ECO function
	48 V DC line cord, 900 mm, 6 mm ²	105N9542	accessories
	48 V DC line cord, 2000 mm, 6 mm ²	105N9540	accessories
	48 V DC line cord, 5000 mm, 6 mm ²	105N9538	accessories
	Temperature sensor, 470 mm, spade connectors	105N9612	accessories
	Temperature sensor, 1000 mm, spade connectors	105N9614	accessories
	Temperature sensor, 1500 mm, spade connectors	105N9616	accessories
Secop One Wire/LIN gateway with cables & driver	105N9501	accessories	

Industrial-Pack (I-Pack)	Electronic unit 24 V DC	101N0714	for BD350GH (24 V), 36 pcs.
	Electronic unit 48 V DC	101N0733	for BD250GH.2 (48 V), 36 pcs.
	Electronic unit 48 V DC	101N0721	for BD350GH (48 V), 36 pcs.
	Communication cable, 1500 mm, AMP connector	105N9545	100 pcs.
	Communication cable, 3000 mm, AMP connector	105N9547	50 pcs.
	48 V DC line cord, 900 mm, 6 mm ²	105N9543	36 pcs.
	48 V DC line cord, 2000 mm, 6 mm ²	105N9541	36 pcs.
	48 V DC line cord, 5000 mm, 6 mm ²	105N9539	36 pcs.
	Temperature sensor, 470 mm, spade connectors	105N9613	200 pcs.
	Temperature sensor, 1000 mm, spade connectors	105N9615	100 pcs.
	Temperature sensor, 1500 mm, spade connectors	105N9617	100 pcs.
	Temperature sensor, 400 mm, AMP connector	105N9611	200 pcs.



SOFTWARE DOWNLOAD

Tool4Cool® LabEdition
www.secop.com/tool4cool

CODE NUMBERS

BD350GH | BD220CL

WITH 101N08XX SERIES

CONTROLLERS



Compressors	Item	Code number	Description
	BD350GH 12 V DC supply	102Z3015	for cooling and comfort cooling in trucks and vans
	BD350GH 24 V DC supply	102Z3016	for cooling and comfort cooling in trucks and vans
	BD220CL 12 V DC supply	102Z3020	for mobile refrigeration units (boxes, containers, trolleys)

Single-Pack	Item	Code number	Description
	Electronic unit (compressor module) 12 V DC	101N0800	electronic module (to be used together with 101N0820)
	Electronic unit (compressor module) 24 V DC	101N0810	electronic module (to be used together with 101N0820)
	Electronic unit (application module) 12 & 24 V DC	101N0820	electronic module (to be used together with 101N800/810)
	Electronic unit (single solution) 12 V DC	101N0830	electronic unit (no fan control)
	Temperature sensor, 470 mm, spade connectors	105N9612	accessories
	Temperature sensor, 1000 mm, spade connectors	105N9614	accessories
	Temperature sensor, 1500 mm, spade connectors	105N9616	accessories
	Secop One Wire/LIN gateway with cables & driver	105N9501	accessories
	One Wire/LIN gateway communication cable	105N9524	accessories (for 101N8xxx series)

Industrial-Pack (I-Pack)	Item	Code number	Description
	Electronic unit (compressor module) 12 V DC	101N0801	30 pcs.
	Electronic unit (compressor module) 24 V DC	101N0811	30 pcs.
	Electronic unit (application module) 12 & 24 V DC	101N0821	30 pcs.
	Electronic unit (single solution) 12 V DC	101N0831	30 pcs.
	Compressor communication cable assembly 3000 mm	105N9554	45 pcs.
	Temperature sensor, 470 mm, spade connectors	105N9613	200 pcs.
	Temperature sensor, 1000 mm, spade connectors	105N9615	100 pcs.
	Temperature sensor, 1500 mm, spade connectors	105N9617	100 pcs.
	Display cable assembly without fuse 1500 mm	105N9557	65 pcs.
	Display cable assembly without fuse 3000 mm	105N9558	35 pcs.



SOFTWARE DOWNLOAD

Tool4Cool® LabEdition
www.secop.com/tool4cool

CODE NUMBERS

BD1.4F-AUTO.3
 BD1.4F-VSD.2/.3
 BD1.4F-VSD-HD



Compressors	Code number	Description
BD1.4F-AUTO.3 mm	109Z0106	automotive compressor, mm tube connectors
BD1.4F-VSD.3 mm	109Z0209	variable speed drive compressor, mm tube connectors
BD1.4F-VSD.2 inch	109Z0206	similar as 109Z0209, inch tube connectors
BD1.4F-VSD-HD mm	109Z0250	variable speed drive compressor (heavy duty), mm tube connectors, for trucks and buses
BD1.4F-VSD-HD inch	109Z0251	same as 109Z0250, inch tube connectors, for trucks and buses

Electronic Single Pack	Code number	Description
Automotive	101N1010	for BD1.4F-AUTO.3, battery protection, 12 V, fixed speed (3,000 rpm)
Variable Speed (VSD)	101N2130	for BD1.4F-VSD.2/.3, BD1.4F-VSD-HD, speed setting, battery protection, 12/24 V, ECO function
VSD with AC/DC converter	101N5100	for BD1.4F-VSD.2, speed setting, battery protection, 12/24 V DC & 100 – 240 V AC, ECO function

Electronic I – Pack	Code number	Description
Automotive	101N1011	for BD1.4F-AUTO.3, battery protection, 12 V, fixed speed (3,000 rpm), 30 pcs.
Variable Speed (VSD)	101N2131	for BD1.4F-VSD.2/.3, BD1.4F-VSD-HD, speed setting, battery protection, 12/24 V, ECO function, 30 pcs.
VSD with AC/DC converter	101N5101	for BD1.4F-VSD.2, speed setting, battery protection, 12/24 V DC & 100-240 V AC, ECO function, 24 pcs.



SOFTWARE DOWNLOAD

Tool4Cool® LabEdition
www.secop.com/tool4cool

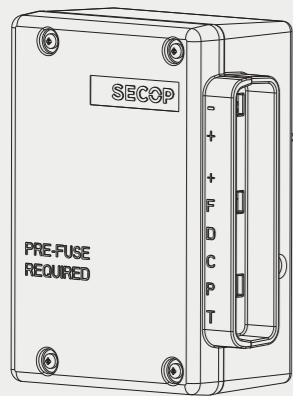
ELECTRONIC UNITS – TECHNICAL DATA

Technical data		Electronic units (code number)						
		BD, P-Housing						
		Standard (2nd generation) 101N0242	High Speed 101N0390	AEO 101N0340	Solar 101N0420	AC/DC converter 101N0510	Automotive 2nd generation 101N0680	Telecom 101N0732
Approvals	Approvals and certificates *	-	-	UL/VDE/CB	UL/VDE/CB	UL/VDE	UL/ VDE/CB UN-ECE-R10	UL
	Type approval [E-marking] 2004/104/EC	-	-	-	-	e4 03 1588	-	-
	EU declaration 2014/30/EU and RoHS declaration 2011/65/EU	yes	yes	yes	yes	yes	yes	yes
	Further EMC tests	CISPR25/1 CISPR14	CISPR25/1	CISPR25/1	CISPR25/1	-	CISPR25/5	-
Supply voltage	DC supply voltage range [V]	(9) 9.6 – 17, 21.3 – 31.5	(9) 9.6 – 17, 21.3 – 31.5	(9) 9.6 – 17, 21.3 – 31.5	10 – 45	(9) 9.6 – 17, 21.3 – 31.5	(9) 9.6 – 17, 21.3 – 31.5	32 – 60
	AC supply voltage range [V]	-	-	-	-	100 – 240	-	-
	Frequency [Hz]	-	-	-	-	50 – 60	-	-
	Fuses required for e.g. 12/24V DC usage [A]	15 / 7.5	30 / 15	15 / 7.5	15	15 / 7.5	15 / 7.5	15
	Fuse required AC usage	-	-	-	-	4	-	-
Environ- ments	Ambient temperature operation [°C]	55	55	55	55	55	55	55
	Ambient temp. during storage/transport [°C]	-40 to 85	-40 to 85	-40 to 85	-40 to 85	-40 to 85	-40 to 85	-40 to 85
Enclosure	IP Class	20	20	20	20	20	20	20
	Weight [kg]	0.19	0.26	0.19	0.19	0.40	0.19	0.24
Connectivity	Connectors	6.3 mm	6.3 mm	6.3 mm	6.3 mm	6.3 mm	6.3 mm	6.3 mm, Molex
	Fan [V/W _{max}]	12 / 6	12 / 6	12 / 6	12 / 6	12 / 6	6 / 12	48 / 60+60
	NTC sensor	yes	yes	yes	yes	yes	yes	yes
	Bus communication	1 wire	1 wire	1 wire	1 wire	1 wire	1 wire	1 wire
	Light [V/W]	-	-	-	-	12 / 5	-	-
	LED (alarm)	yes	yes	yes	yes	yes	yes	-
	TOOL4COOL®	yes	yes	yes	yes	yes	yes	yes
	Setpoint selection [mechanical thermostat -M / (external resistor -R / TOOL4COOL® - T)]	M / - / T	M / - / T	M / - / T	M / - / T	M / - / T	M / - / T	M / - / T

* please refer to table: VDE/CB/UL approved compressor – electronic unit combinations

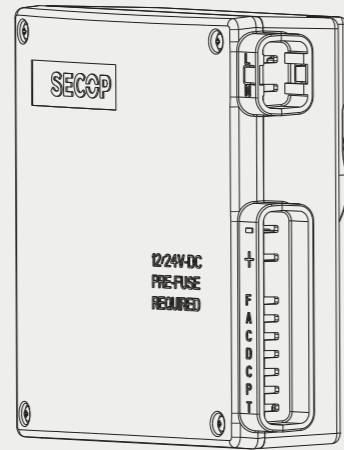
Electronic units (code number)							
BD, T-Housing					BD-Micro		
101N8xxx-Series 101N0820-0800	101N8xxx-Series 101N0820-0810	101N8xxx-Series 101N0830	101N07xx-Series 101N0715	Telecom 101N0720	Variable Speed (VSD) 101N2130	Variable Speed (VSD) AC/DC conv. 101N5100	Automotive (AUTO) 101N1010
-	-	-	-	-	-	UL	-
-	-	-	-	-	compliant	compliant	compliant
yes	yes	yes	yes	yes	yes	yes	yes
CISPR25/1	-	-	CISPR25/3	-	CISPR25/1	CISPR25/1	VW 80101
9.6 – 17	19 – 31.5	9.6 – 17	19 – 31.5	32 – 60	9.6 – 17 19 – 34	9.6 – 17 19 – 34	8.5 – 17
-	-	-	-	-	-	100 – 240	-
-	-	-	-	-	-	50 – 60	-
30 + 2 x 60	15 + 2 x 30	60	30	15	15 / 7.5	15 / 7.5	12
-	-	-	-	-	-	4	-
55	55	55	55	55	55	55	55
-40 to 85	-40 to 85	-40 to 85	-40 to 85	-40 to 85	-40 to 85	-40 to 85	-40 to 85
20	20	20	20	20	42	42	40
0.28 + 0.33	0.28 + 0.25	0.28	0.27	0.27	0.11	0.29	0.17
6.3 spades, 9.5 mm spades	6.3 spades, 9.5 mm spades	6.3 spades, 9.5 mm spades	6.3 spades, 9.5 mm spades	6.3 mm, Molex	6.3 mm	6.3 mm	Tyco Electronics
12–24 / 200+100	12–24 / 200+100	-	12+24 / 60+40	48 / 60+60	12 / 6	12 / 6	12 / 7.8
yes	yes	yes	yes	yes	yes	yes	yes
1 wire, LIN, Modbus	1 wire, LIN, Modbus	1 wire	1 wire	1 wire	1 wire	1 wire	1 wire
-	-	-	-	-	-	12 / 5	LED
-	-	-	-	-	yes	yes	yes
yes	yes	yes	yes	yes	yes	yes	yes
M / - / T	M / - / T	M / - / T	M / - / T	M / - / T	M / R / T	M / R / T	M / R / T

ELECTRONIC UNITS – HOUSINGS

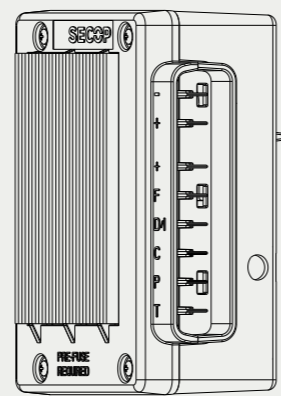


Standard AEO
101N0242 101N0340

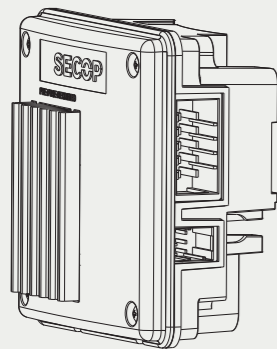
Automotive Solar
101N0680 101N0420



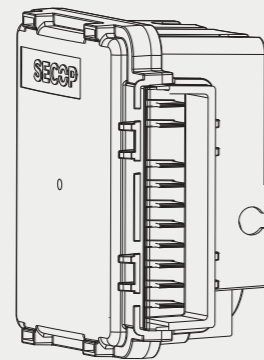
AC/DC converter
101N0510



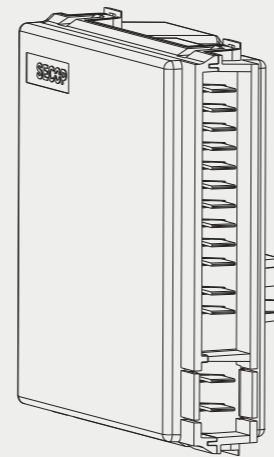
High Speed
101N0390



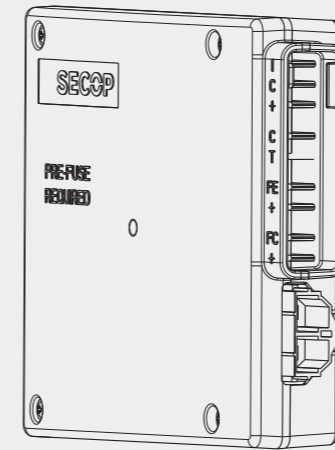
Automotive (AUTO)
101N1010



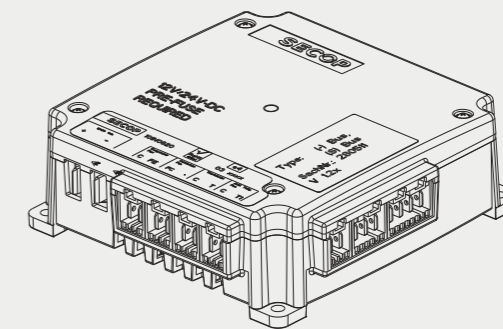
VSD
101N2130



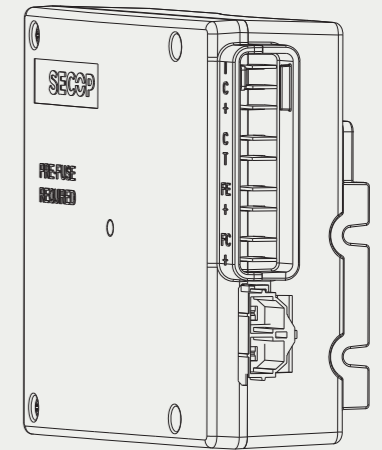
VSD w. AC/DC converter
101N5100



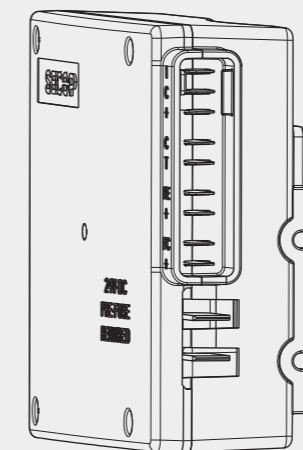
Telecom
101N0732



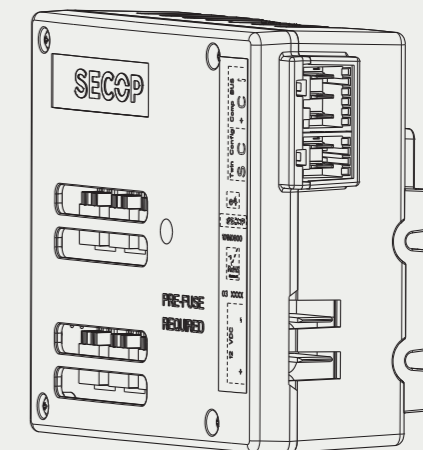
101N8xxx-Series
101N0800



Telecom
101N0720



101N07xx-Series
101N0715



101N8xxx-Series
101N0810
101N0820
101N0830

BD COMPRESSORS – PRODUCT RANGE

2



Modern comfort is brought into life when leaving home. As people go mobile, so does food. The excellent performance of the BD series safeguards food preservation.

With our outstanding DC compressors for cars, vans, boats, trucks, etc., Secop has transcended the barriers for mobile refrigeration.



BD80 / 100CN
R290, -40°C, -10°C evap. temp.
Freezer applications, solar-powered applications, ice cream boxes up to 200 l, 20-164 W / 31-209 W cooling capacity*.



BD35K Multivoltage and BD50K
R600a, -30°C, +10°C evap. temp.
Solar-powered applications, etc., 100-250 l coolers, 13-242 W cooling capacity*. BD35K can be powered with AC and DC, 85-240 V AC 50/60 Hz, 12-24 V DC, automatic selection of AC when available.



BD1.4F-AUTO.3 and BD1.4F-VSD.3
R134a/R1234yf, -30°C, +5 and +15 / 0°C evap. temp.
In-car cabinets and all mobile applications for portable boxes, boats, trucks, etc., 14-108 W and 7-218 W / 5-85 W cooling capacity*.



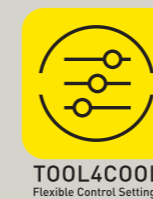
BD350GH
R134a, -25°C, +15°C evap. temp.
Tailored for spotcooling systems in sleeping compartments in trucks, caravans, golf buggies, etc., 85-786 W cooling capacity*.



BD250GH.2
R134a, -25°C, +15°C evap. temp.
Designed for cabin cooling in trucks during nighttime, very silent operation, 31-446 W cooling capacity*.



BD35F/50F Multivoltage
R134a, -30°C, +10°C evap. temp.
All mobile applications for portable boxes, boats, trucks, etc., can be powered with AC and DC, 85-240 V AC 50/60 Hz, 12-24 V DC, automatic selection of AC when available, 15-152 W / 20-191 W cooling capacity*.



TOOL4COOL® Software
Tool4Cool® is a unique PC software tool that enables you to precisely configure your Secop BD compressors to your cooling systems. Via microprocessor-based controllers, Tool4Cool® gives you easy access to all parameters. These can be changed, monitored, downloaded or uploaded to get the optimum performance out of your cooling system.

* EN12900/CECOMAF conditions:
Condensing temp.: 55°C | Suction gas temp.: 32°C | Ambient temp.: 32°C, | Liquid temp.: no subcooling

SECOP PRODUCT SELECTOR

selector.secop.com

The screenshot shows the 'Application Search' tab of the Secop Product Selector. The table has columns for 'Type designation', 'Code number', 'Displacement', 'Voltage', 'Refrigerant', 'Application', and 'Motor'. The 'Displacement' column is highlighted with a circled '1'. The 'Voltage' column has sub-columns for '220-240V/50Hz', '110-115V/50Hz', '115-127V/60Hz', '208-230V/60Hz', and '12-24V DC'. The 'Refrigerant' column has sub-columns for '48V DC', 'R134a', 'R513A', 'R1234yf', 'R290', 'R404A', 'R452A', 'R407C', and 'R600a'. The 'Application' column has sub-columns for 'LBP', 'MBP', 'HBP', 'RSIR', 'RSCR', 'CSIR', and 'CSCR'. The 'Motor' column has sub-columns for 'DC/PM', 'Data Sheet', and '3D Model'. The table lists various compressor models like BD1.4F-AUTO.3, BD1.4F-VSD-HD, etc., with their respective code numbers and displacement values.

With its responsive web design, the latest version of Secop's Product Selector is working on various hardware platforms (PCs, tablets, smartphones, etc.) and features 10 languages.

The idea behind the new version is to set filters to find the right compressor for your cooling application, similar to the popular spreadsheet programs.

Also a simple data sheet search is possible via the third tab in the top menu. It is also possible to download all data sheets (or your selection) in one *.zip file or 3D model CAD files.

Functions of the Secop Product Selector – Application Search Level 1:

- Set one or more filters for Voltage, Refrigerant, Application, Motor to get a selection of possible hits quickly.
- Or type in the first letters of the compressor designation to display a table of compressors matching with your input (or code number).

For more technical information:

- When you find an interesting compressor, simply click on its code number to open Application search Level 2 which gives you a quick overview about variants of this model and some more technical data.
- Click on the pdf-symbol on the right border of the data line to open the compressor data sheet.

WORKSHEET FUNCTIONS

- Click on the filter icon to start sorting of the table.
- Move over the filter icon to open the filter dialogue and set the filter.
- Click on the pdf icon to open the datasheet.

Functions of the Secop Product Selector – Performance Search Level 1:

- Set one or more filters for Motor, Refrigerant, or Application to get a selection of possible hits quickly.
- Appliance-guided compressor search:
 - select application area in the pull down dialogue in the top right corner
 - set filter (→ yes) to the desired application type listed up in right area of the table (move the table if needed: keep middle mouse button pushed while moving mouse to left or right)
 - set more filters to Refrigerant, Motor and Voltage to further specializing of the results
- Performance-guided compressor search:
 - select physical units and operation condition of the performance data (dialogue in top left corner)
 - type in ranges of cooling capacity or acceptable efficiency into performance filters
 - click on filter icon to sort the table (capacity or efficiency)
- Model-focused search: Type in the first letters of the compressor designation to show a table compressors matching with your input (or code number).

For more technical information:

- When you found an interesting compressor simply click on its Designation to open Performance search Level 2 which gives you a fast overview about most important technical data.
- Click on the pdf symbol on the right border of the data-line to open the compressor data sheet.

WORKSHEET FUNCTIONS

- Click on the filter icon to start sorting of the table.
- Move over the filter icon to open the filter dialogue and set the filter.
- Click on the pdf icon to open the datasheet.
- Move over the filter icon to set the filter range.

SECOP GROUP: AROUND THE WORLD

SECOP

12

international partners for advanced developments

33

laboratories located in Austria, Germany, Slovakia, China, US, and Turkey

180

R&D engineers and technicians

440

patents globally

50+

countries with customer support

WE SUPPORT



Since 2011 Secop has been committed to the UN Global Compact corporate responsibility initiative and its principles in the areas of human rights, labor, the environment and anti-corruption.



Secop is the expert for advanced hermetic compressor technologies and cooling solutions in commercial refrigeration. We develop high performance stationary and mobile cooling solutions for leading international commercial refrigeration manufacturers and are the first choice when it comes to leading hermetic compressors and electronic controls for refrigeration solutions for light commercial and DC-powered applications.

Secop has a long track record of successful projects to adopt energy efficient and green refrigerants that feature innovative solutions for both compressors and control electronics.

- Flensburg:** Sales and R&D
- Zlaté Moravce:** R&D, Logistics and Manufacturing
- Turin:** Sales
- Tianjin:** Sales, R&D, Logistics and Manufacturing
- Gleisdorf:** R&D
- Atlanta:** Sales, R&D and Logistics



MOBILE COOLING



STATIONARY COOLING



Secop GmbH · Mads-Clausen-Str. 7 · 24939 Flensburg, Germany · Tel: +49 461 4941 0 · www.secop.com

Secop accepts no responsibility for possible errors in catalogs, brochures, and other printed material. Secop reserves the right to alter its products without notice. This also applies to products already on order provided that such alterations can be made without subsequent changes being necessary to specifications already agreed. All trademarks in this material are the property of the respective companies. Secop and the Secop logotype are trademarks of Secop GmbH. All rights reserved.