

R290 · 100-240V | 50/60 Hz

# ADAPTABLE CAPACITY AND INTELLIGENT CONTROL

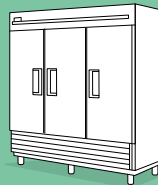
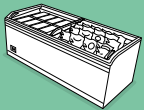
SECCP



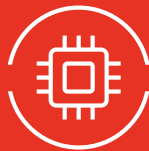
NLV-CN XT Extended



Commercial Applications



Variable-Speed Efficiency



Premium Controllers



Wide Application Range



Effective Solutions



Sustainability

- Energy savings of up to 40% compared to a fixed speed R404A compressor
- Suitable for both LBP and MBP applications
- Able to operate continuously inside an evaporating temperature range from -40 to +7.2°C
- Intelligent variable-speed drive °CCD® controller (Cool Capacity Drive) with automatic input detection and IP43 housing
- The controller provides a high starting torque and can start against a high differential pressure
- 8 additional relay outputs for case control
- 2-speed defrost control
- 4 temperature sensors and 4 digital/analog I/O
- Easy customization via Tool4Cool®

Secop's variable speed **NLV-CN** propane compressor solution provides perfect cooling efficiency, tailormade features, and easy integration within a single unit while ensuring considerable energy savings. The perfect choice for food retail, food storage, and other commercial applications.

It comes with our °CCD® **XT (Extended)** controller featuring speed control through closed-loop-control, serial communication and analog signal. This multivoltage controller can be used for all voltages and frequencies globally. The XT controller offers additional monitoring options, connectivity and customization of I/O for specific system needs. It will come with a set of optional features: IOT, multi-compressor operation, or a pressure switch.

The NLV-CN is the right choice if you are looking for a green solution using the environmentally-friendly refrigerant propane (R290) with a low global warming potential (GWP 3).

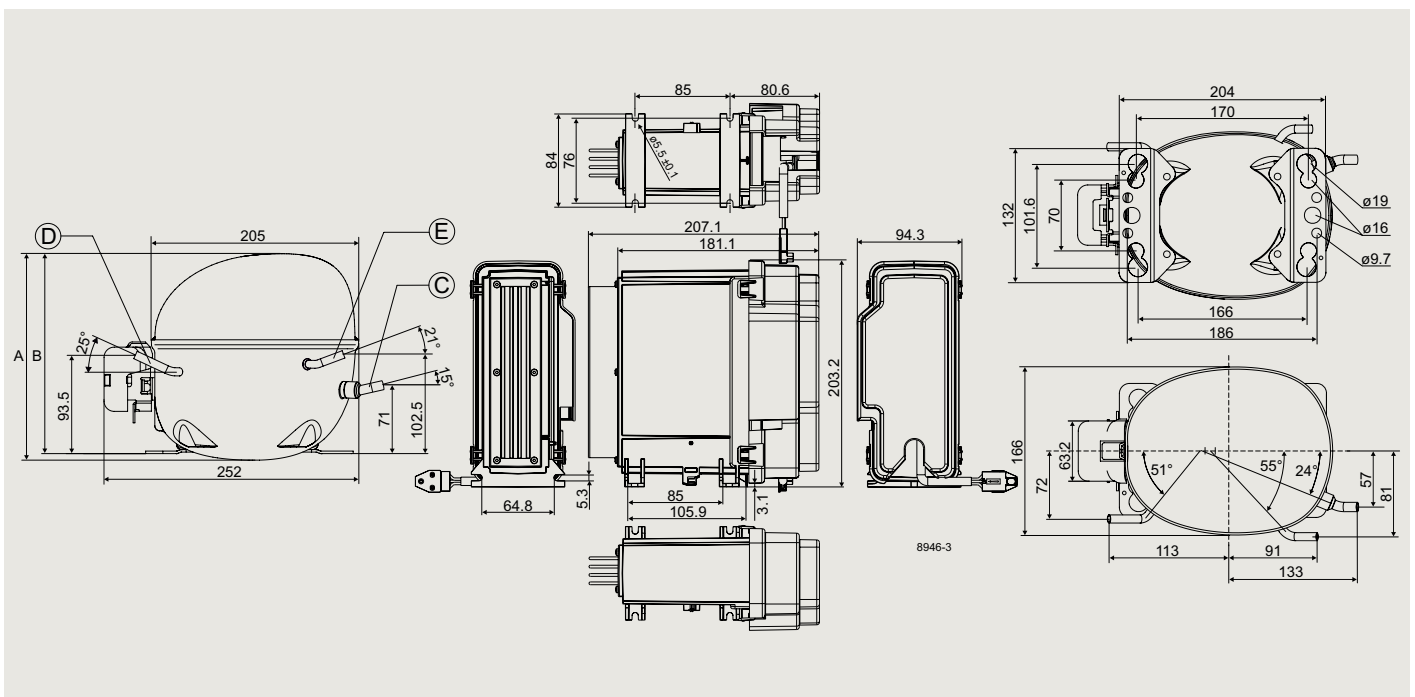
General		NLV8.0CN		NLV10CN		NLV12.6CN	
Compressor	connectors: metric   inch	105H7808	105H7809	105H7003	105H7004	105H6365	105H6366
Electronic unit - XT Multi-Voltage	100-240 V	105N4866 (with Power Factor Correction according to EN 61000-3-2:2014)					
Approvals	50/60 Hz	EN 60335-2-34 with Annex AA, UL 60335-2-34 with Annex AA, CB IEC 60335-2-34, CCC					

Application			
Application		LBP/MBP	
Evaporating temperature	°C (°F)	-40 to 7.2 (-40 to 45)	
Voltage range / frequency	VDC	180-270 / 50/60 (Standard)   90-270 / 50/60 (Multi Voltage)	
Speed range	rpm	2000-4500	

Performance Data ASHRAE LBP (115/220 V, 50/60 Hz • fan cooling) @ -23.3°C (-10°F) evaporating temperature													
Speed	rpm	2000	2500	3000	4500	2000	2500	3000	4500	2000	2500	3000	4500
Cooling capacity	W	266	346	384	558	352	439	514	749	422	541	653	938
	BTU/h	907	1182	1313	1905	1202	1498	1756	2559	1442	1846	2232	3204
Power consumption	W	153	188	217	324	203	243	289	425	251	309	371	566
COP	W/W	1.73	1.84	1.78	1.72	1.74	1.81	1.78	1.76	1.68	1.75	1.76	1.66
EER	BTU/Wh	5.91	6.28	6.06	5.88	5.93	6.18	6.07	6.02	5.75	5.97	6.02	5.66
Test conditions	Condensing temp.: 54.4°C (130°F)   Suction gas temp.: 32.2°C (90°F)   Ambient temp.: 32.2°C (90°F)   Liquid temp.: 32.2°C (90°F)												

Performance Data ASHRAE MBP (115/220 V, 50/60 Hz • fan cooling) @ -6.7°C (20°F) evaporating temperature													
Speed	rpm	2000	2500	3000	4500	2000	2500	3000	4500	2000	2500	3000	4500
Cooling capacity	W	489	616	718	1049	636	781	929	1357	753	952	1137	1675
	BTU/h	1671	2103	2453	3581	2172	2665	3173	4635	2572	3250	3882	5719
Power consumption	W	216	262	306	458	289	341	408	612	348	441	520	818
COP	W/W	2.27	2.35	2.35	2.29	2.21	2.29	2.28	2.22	2.17	2.16	2.19	2.05
EER	BTU/Wh	7.74	8.02	8.02	7.82	7.53	7.81	7.79	7.57	7.40	7.37	7.46	6.99
Test conditions	Condensing temp.: 54.4°C (130°F)   Suction gas temp.: 35°C (95°F)   Ambient temp.: 35°C (95°F)   Liquid temp.: 46.1°C (115°F)												

Dimensions		105H7808 / 105H7003 / 105H6365 (metric)				105H7809 / 105H7004 / 105H6366 (inch)				
Height	mm (inch)	A	203				203 (7.99)			
		B	197				197 (7.76)			
Suction connector	location/l.D. mm (inch) angle   material   seal	C	8.2   15° Copper   Rubber plug				8.2 (0.320-0.327)   15° Copper   Rubber plug			
		D	6.2   25° Copper   Rubber plug				6.5 (0.252-0.259)   25° Copper   Rubber plug			
Discharge connector	location/l.D. mm (inch) angle   material   seal	E	6.2   21° Copper   Rubber plug				6.5 (0.252-0.259)   21° Copper   Rubber plug			
		Connector tolerance	I.D. mm ±0.09				-			



Secop GmbH · Lise-Meitner-Str. 29 · 24941 Flensburg, Germany · Tel: +49 461 4941 0 · [www.secop.com](http://www.secop.com)

Secop accepts no responsibility for possible errors in catalogs, brochures, and other printed material. Secop reserves the right to alter its products without notice. This also applies to products already on order provided that such alterations can be made without consequential changes being necessary to specifications already agreed. All trademarks in this material are the property of the respective companies. Secop and the Secop logotype are trademarks of Secop GmbH. All rights reserved.