

## Standardization of K-Series and KL-Series Terminal Board Covers

To standardize the starting equipment components of K-Series (formerly KAPPA) and KL-Series compressors, Secop plans to introduce the KL-Series terminal board cover (code number: 10636401) for all K-Series compressors as well.

This change will help our customers reduce bearing complexity and also get better cover material for K-Series compressors with higher safety class.

## Differences

The main difference is the outer shape and the horizontal contact distance to the top of the cover. Both covers fulfill all minimum distance requirements of the IEC/EN60335-1 §29,30 standard. The different outer shape between the two covers is shown in Figure 1 (old cover 15759500 vs. new cover 10636401).

After crimp installation, the 10636401 cover still meets the minimum distance requirements of the IEC/EN60335-1 §29,30 standard.

The drawings in Figure 2 and Figure 3 show the shortest distance (in mm) to the motor protector contact and to the earth connector contact.

## Approvals

The cover 10636401 was originally used for KAPPA compressors during the ACC era and then changed to 15759500. This change will therefore have no negative impact and it has now been reviewed and re-approved by VDE with updated material information in the existing VDE certificate number.

## Safety Class

The material of new cover 10636401 is upgraded from class V2 to higher material safety class V0.

## Timing and Availability

The change will be introduced for all K-Series compressors (GTK, HKK, HMK, HTK, HXK, HZK) from April 1, 2024.

This means that all K-Series compressors delivered by Secop from April 1, 2024 will be equipped with the new terminal board cover.

## Further Information

For further information, please contact your local Secop representative if you have any questions.

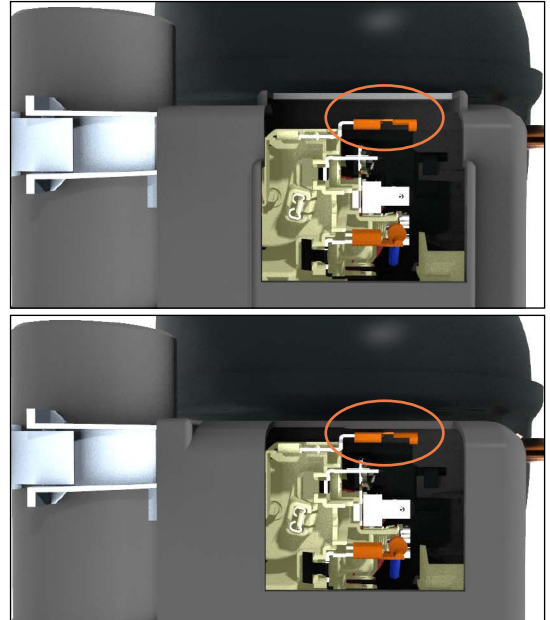


Fig. 1 Cover 15759500 (top) vs. 10636401 (bottom)

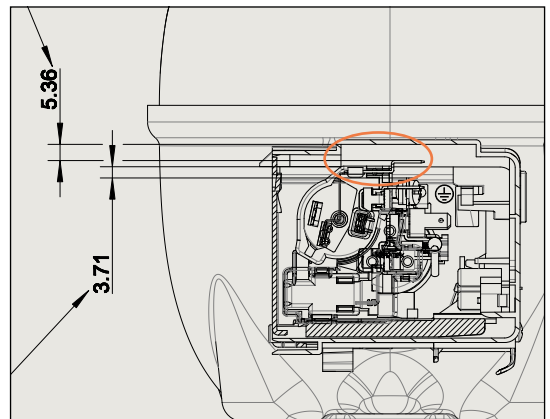


Fig. 2 K-Series with cover 15759500

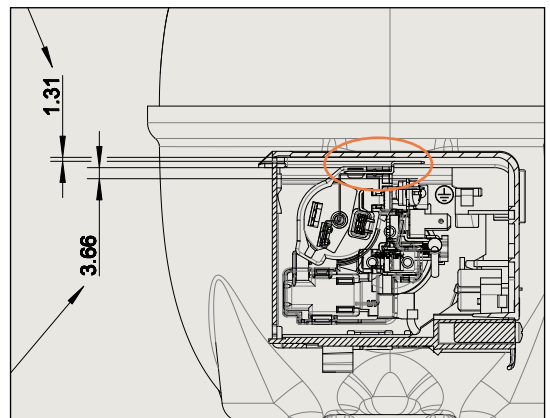


Fig. 3 K-Series with cover 10636401

## Secop GmbH

Lise-Meitner-Straße 29  
24941 Flensburg  
Germany  
Tel: +49 461 4941 0  
[www.secop.com](http://www.secop.com)

Secop accepts no responsibility for possible errors in catalogs, brochures, and other printed material. Secop reserves the right to alter its products without notice. This also applies to products already on order provided that such alterations can be made without consequential changes being necessary to specifications already agreed. All trademarks in this material are the property of the respective companies. Secop and the Secop logotype are trademarks of Secop GmbH. All rights reserved.