

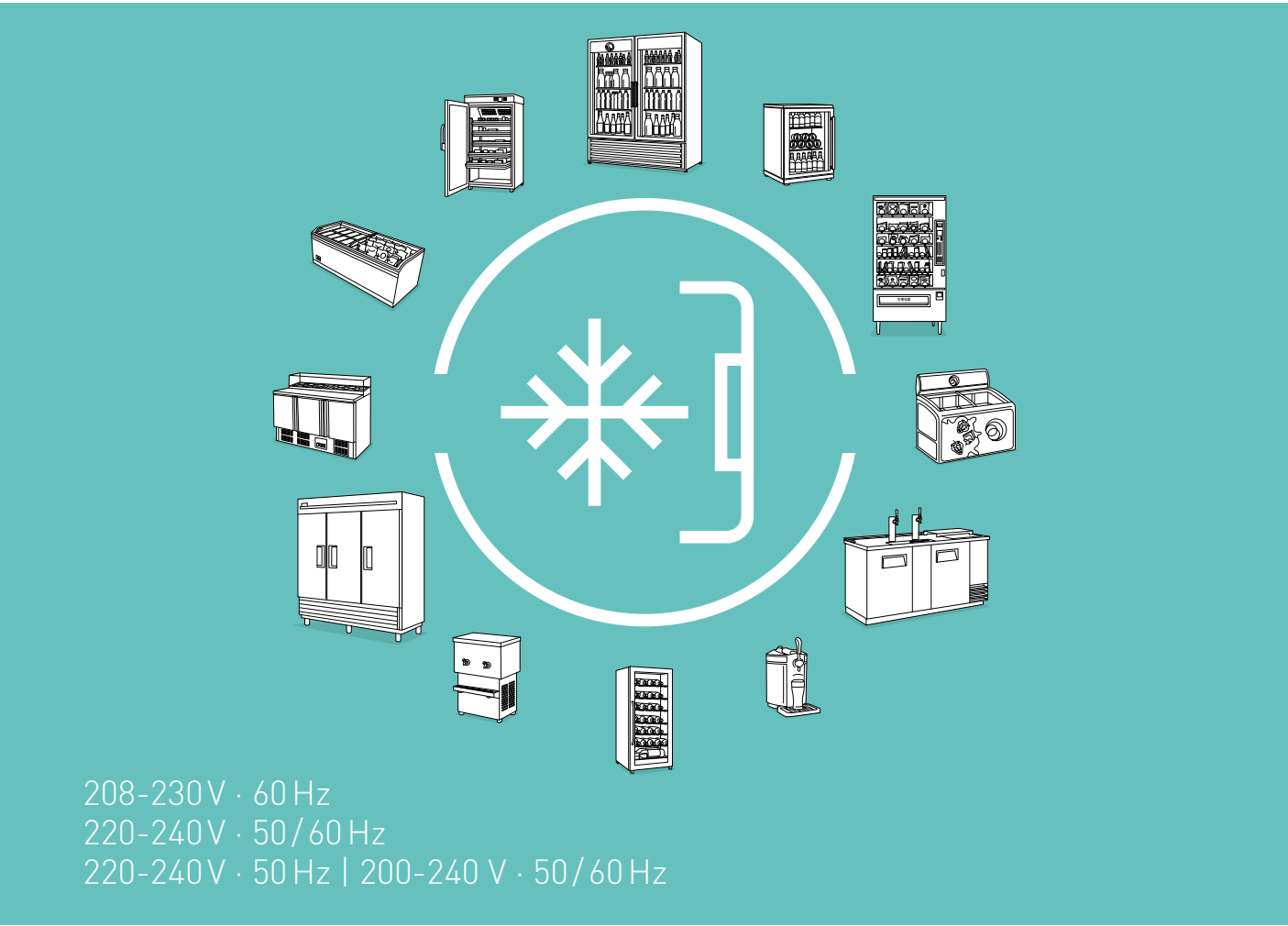
Secop strives to be the first choice for partners searching for leading-edge refrigeration solutions and premium customer experience.

Secop is committed to delivering advanced refrigeration compressors and controls, providing customers tailored sustainable solutions for light commercial, battery-driven, and special cooling applications.

HERMETIC COMPRESSORS HC REFRIGERANTS



R600a | R290



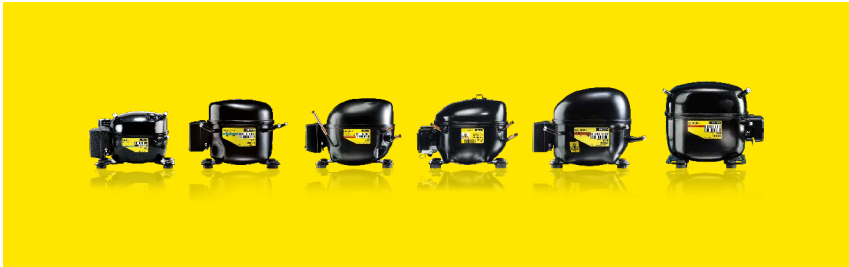
208-230V · 60 Hz
220-240V · 50/60 Hz
220-240V · 50 Hz | 200-240 V · 50/60 Hz



ENERGY
OPTIMIZED



NATURAL
REFRIGERANT



Compressor	Code number	Application	ASHRAE Capacity [W] Tc=54.4°C, Tliq=32.2°C, Tsuc=32.2°C Evaporating temperature [°C]							ASHRAE						Displacement [cm³]	Voltage and frequencies [*dual frequency type with 50/60 Hz]	Compressor cooling [refer to data sheet]
			LBP rating point -23.3°C / 54.4°C		MBP rating point -6.7°C / 54.4°C		HBP rating point 7.2°C / 54.4°C			Cooling capacity [W]	COP [W/W]	Cooling capacity [W]	COP [W/W]	Cooling capacity [W]	COP [W/W]			
			-35	-15	-5	0	10	15										
			Cooling capacity [W]		COP [W/W]		Cooling capacity [W]		COP [W/W]		Cooling capacity [W]		COP [W/W]					
PLE35K	101H0360	MBP	-	63	106	133	-	-	38	0.91	88	1.56	-	-	2.50	198-254 V, 50 Hz	S	
TLES4KK.3	102H4438	LBP	23	91	-	-	-	-	57	1.18	-	-	-	-	4.01	198-254 V, 50 Hz	S	
TLES4.8KK.3	102H4579	LBP	34	115	-	-	-	-	74	1.30	-	-	-	-	4.78	198-254 V, 50 Hz	S	
TLES4.8KK.3	102H4596	LBP	34	115	-	-	-	-	74	1.30	-	-	-	-	4.78	198-254 V, 50 Hz	S	
TLES5.7KK.3	102H4694	LBP	45	139	-	-	-	-	91	1.32	-	-	-	-	5.70	198-254 V, 50 Hz	S	
TLES6.5KK.3	102H4783	LBP	55	163	-	-	-	-	108	1.31	-	-	-	-	6.49	198-254 V, 50 Hz	S	
TLES7.5KK.3	102H4838	LBP	64	189	-	-	-	-	125	1.31	-	-	-	-	7.48	198-254 V, 50 Hz	S	
TLES8.7KK.3	102H4939	LBP	75	221	-	-	-	-	147	1.33	-	-	-	-	8.67	198-254 V, 50 Hz	S	
TLES5KTK	102H4536	LBP	34	121	194	240	-	-	77	1.22	162	1.78	-	-	5.08	187-254 V, 50 Hz	S	
TLES6KTK	102H4636	LBP	38	136	-	-	-	-	89	1.23	-	-	-	-	5.70	187-254 V, 50 Hz	S	
TLES10KTK.3	102H4050	LBP	89	249	-	-	-	-	168	1.36	-	-	-	-	10.13	187-254 V, 50 Hz	S	
NLE10KK.4	105H6867	LBP	90	252	-	-	-	-	170	1.51	-	-	-	-	10.09	198-254 V, 50 Hz	S	
NLE11KK.4	105H6952	LBP	100	283	-	-	-	-	190	1.56	-	-	-	-	11.15	198-254 V, 50 Hz	S	
NLE13KK.4	105H6939	LBP	121	334	-	-	-	-	226	1.56	-	-	-	-	13.25	198-254 V, 50 Hz	S	
NLE15KK.4	105H6968	LBP	134	374	-	-	-	-	253	1.53	-	-	-	-	14.65	198-254 V, 50 Hz	S	
NLE9KTK	105H6071	LBP	66	202	-	-	-	-	131	1.33	66	-	-	-	8.35	187-254 V, 50 Hz *	S	
NLE11KTK	105H6948	LBP	88	251	-	-	-	-	168	1.31	-	-	-	-	11.15	187-254 V, 50 Hz *	S	
NLE11KTK.2	105H6173	LBP	102	295	-	-	-	-	198	1.51	-	-	-	-	11.15	187-254 V, 50 Hz	S	
NLE13KTK.2	105H6929	LBP	117	338	-	-	-	-	227	1.52	-	-	-	-	13.25	187-254 V, 50 Hz	S	
NLE15KTK.2	105H6966	LBP	129	383	-	-	-	-	254	1.52	-	-	-	-	14.65	187-254 V, 50 Hz	S	
NLE15MKK	105H6533	MBP	-	375	586	718	-	-	248	1.49	491	1.99	852	2.50	14.65	198-254 V, 50 Hz	S	
NLX10KK.1	105H6104	LBP	82	262	-	-	-	-	172	1.74	-	-	-	-	10.09	198-254 V, 50 Hz	S	
NLX13KK.1	105H6304	LBP	111	337	-	-	-	-	223	1.75	-	-	-	-	13.25	198-254 V, 50 Hz	S	
NLX15KK.2	105H6977	LBP	135	377	-	-	-	-	255	1.87	-	-	-	-	14.65	198-254 V, 50 Hz	S	
NLX15KK.3	105H6506	LBP	132	388	-	-	-	-	254	1.85	-	-	-	-	14.65	198-254 V, 50 Hz	S	
NLU10KK.1	105H6193	LBP	86	267	-	-	-	-	176	1.98	-	-	-	-	10.09	198-254 V, 50 Hz	S	
NLU11KK.1	105H6198	LBP	99	301	-	-	-	-	200	1.97	-	-	-	-	11.15	198-254 V, 50 Hz	S	
NLU13KK.1	105H6372	LBP	114	348	-	-	-	-	230	1.98	-	-	-	-	13.25	198-254 V, 50 Hz	S	

Dimensions							LST (RSIR & RSCR) refer to data sheet for more info					Run capacitor (RC)		HST (CSIR & CSR) *alt. cable lengths avail.			LST/HST		
Height [mm]		Connectors location/I.D. [mm]					alt. connectors available	PTC starting device		PTC starting device with RC connector		ePTC	→ optional → compulsory*		Starting relay	Starting capacitor	Starting device*	Cord relief	Cover
A	B	Suction C (I.D.)	Process D (I.D.)	Dis-charge E (I.D.)		Spades		Spades		Spades	Spades		Spades	Spades	Spades				
		6.3 mm	4.8 mm	6.3 mm	4.8 mm	4.8 mm	6.3 mm	4.8 mm	6.3 mm	4.8 mm	6.3 mm	4.8 mm	6.3 mm	6.3 mm	6.3 mm				
137	135	6.2	6.2	5	-	-	-	-	103N0016	103N0021	-	117-7117 *	117-7119 *	-	-	-	103N1010	103N0491	
163	159	6.2	6.2	5	X	103N0011	103N0018	103N0016	103N0021	103N0050	117-7117	117-7119	-	-	-	103N1010	103N2010		
163	159	6.2	6.2	5	X	103N0011	103N0018	103N0016	103N0021	103N0050	117-7117	117-7119	-	-	-	103N1010	103N2010		
163	159	6.2	4.5	5	X	103N0011	103N0018	103N0016	103N0021	103N0050	117-7117	117-7119	-	-	-	103N1010	103N2010		
163	159	6.2	6.2	5	X	103N0011	103N0018	103N0016	103N0021	103N0050	117-7117	117-7119	-	-	-	103N1010	103N2010		
163	159	6.2	6.2	5	X	103N0011	103N0018	103N0016	103N0021	103N0050	117-7117	117-7119	-	-	-	103N1010	103N2010		
163	159	6.2	6.2	5	X	103N0011	103N0018	103N0016	103N0021	103N0050	117-7131	117-7132	-	-	-	103N1010	103N2010		
163	159	6.2	6.2	5	X	103N0011	103N0018	103N0016	103N0021	103N0050	117-7117	117-7119	-	-	-	103N1010	103N2010		
173	169	6.2	6.2	5	-	103N0011	103N0018	103N0016	103N0021	103N0050	117-7117	117-7119	-	-	-	103N1010	103N2010		
173	169	6.2	6.2	5	-	103N0011	103N0018	103N0016	103N0021	103N0050	117-7117	117-7119	-	-	-	103N1010	103N2010		
173	169	6.2	6.2	5	-	103N0011	103N0018	103N0016	103N0021	103N0050	117-7117	117-7119	-	-	-	103N1010	103N2010		
190	183	6.2	6.2	5	-	103N0011	103N0018	103N0016	103N0021	103N0050	117-7117	117-7119	-	-	-	103N1010	103N2010		
190	183	6.2	6.2	5	-	103N0011	103N0018	103N0016	103N0021	103N0050	117-7117	117-7119	-	-	-	103N1010	103N2010		
190	183	6.2	6.2	5	X	103N0011	103N0018	103N0016	103N0021	103N0050	117-7117	117-7119	-	-	-	103N1010	103N2010		
197	190	6.2	6.2	5	X	103N0011	103N0018	103N0016	103N0021	103N0050	117-7117	117-7119	-	-	-	103N1010	103N2010		
197	190	6.2	6.2	5	X	103N0011	103N0018	103N0016	103N0021	103N0050	117-7117	117-7119	-	-	-	103N1010	103N2010		
197	190	6.2	6.2	5	-	103N0011	103N0018	103N0016	103N0021	-	117-7117	117-7119	-	-	-	103N1010	103N2010		
203	197	6.2	6.2	5	-	103N0011	103N0018	103N0016	103N0021	103N0050	117-7117	117-7119	-	-	-	103N1010	103N2010		
203	197	6.2	6.2	5	-	103N0011	103N0018	103N0016	103N0021	103N0050	117-7117	117-7119	-	-	-	103N1010	103N2010		
203	197	6.2	6.2	5	-	103N0011	103N0018	103N0016	103N0021	-	117-7117	117-7119	-	-	-	103N1010	103N2010		
203	197	6.2	6.2	5	-	103N0011	103N0018	103N0016	103N0021	103N0050	117-7117	117-7119	-	-	-	103N1010	103N2010		
203	197	6.2	6.2	5	-	-	-	103N0016	103N0021	103N0050	117-7131 *	117-7132 *	-	-	-	103N1010	103N2010		
203	197	6.2	6.2	5	-	-	-	103N0016	103N0021	103N0050	117-7117 *	117-7119 *	-	-	-	103N1010	103N2010		
203	197	8.2	6.2	6.2	X	-	-	103N0016	103N0021	103N0050	117-7117 *	117-7119 *	-	-	-	103N1010	103N2010		
203	197	6.2	6.2	5	-	-	-	-	103N0021	103N0050	-	117-7140 *	-	-	-	103N1010	103N2010		
203	197	6.2	6.2	5	X	-	-	-	103N0021	103N0055	-	117-7139 *	-	-	-	103N1010	103N2010		
203	197	6.2	6.2	5	X	-	-	-	103N0021	103N0055	-	117-7139 *	-	-	-	103N1010	103N2010		
203	197	6.2	6.2	5	-	-	-	-	103N0021	103N0055	117-7131 *	117-7132 *	-	-	-	103N1010	103N2010		



K-Series AA · R600a · 220-240 V · 50 Hz

Compressor	Code number	Application	ASHRAE Capacity [W] Tc=54.4°C, Tliq=32.2°C, Tsuc=32.2°C Evaporating temperature [°C]						ASHRAE						Displacement [cm³]	Voltage and frequencies [*dual frequency type with 50/60 Hz]	Compressor cooling cooling (refer to data sheet)		
			LBP rating point -23.3°C / 54.4°C		MBP rating point -6.7°C / 54.4°C		HBP rating point 7.2°C / 54.4°C		Cooling capacity		COP		Cooling capacity					COP	
			-35	-15	-5	0	10	15	[W]	[W/W]	[W]	[W/W]	[W]	[W/W]				[W]	[W/W]
HKK55AA	CDO00039	LBP	39	145	224	-	-	-	93	1.71	188	2.29	-	-	5.60	187-264 V, 50 Hz	S		
HKK70AA	CDO00040	LBP	54	180	276	-	-	-	117	1.74	233	2.26	-	-	6.60	187-264 V, 50 Hz	S		
HKK80AA	CDO00041	LBP	67	207	316	-	-	-	136	1.77	266	2.29	-	-	8.10	187-264 V, 50 Hz	S		
HKK95AA	CDO00042	LBP	84	251	376	-	-	-	168	1.80	318	2.28	-	-	9.60	187-264 V, 50 Hz	S		
HKK12AA	CDO00043	LBP	100	291	428	-	-	-	199	1.80	363	2.25	-	-	11.20	187-264 V, 50 Hz	S		
HMK80AA	CDO00165	LBP	67	206	314	-	-	-	136	1.50	265	1.99	-	-	8.10	187-264 V, 50 Hz	S		
HMK95AA	CDO00164	LBP	81	252	381	-	-	-	167	1.53	322	2.01	-	-	9.60	187-264 V, 50 Hz	S		
HMK12AA	CDO00163	LBP	99	291	425	-	-	-	198	1.53	361	1.93	-	-	11.20	187-264 V, 50 Hz	S		
HTK55AA	CDO00034	LBP	39	146	225	-	-	-	93	1.55	190	2.12	-	-	5.60	187-264 V, 50 Hz	S		
HTK70AA	CDO00035	LBP	53	181	267	-	-	-	117	1.61	227	2.29	-	-	6.60	187-264 V, 50 Hz	S		
HTK80AA	CDO00036	LBP	67	207	316	-	-	-	136	1.61	266	2.19	-	-	8.10	187-264 V, 50 Hz	S		
HTK95AA	CDO00037	LBP	86	251	382	-	-	-	167	1.64	322	2.14	-	-	9.60	187-264 V, 50 Hz	S		
HTK12AA	CDO00038	LBP	99	290	426	-	-	-	198	1.64	361	2.06	-	-	11.20	187-264 V, 50 Hz	S		
HXK55AA	CDO00045	LBP	44	148	224	-	-	-	97	1.83	189	2.32	-	-	5.60	187-264 V, 50 Hz	S		
HXK70AA	CDO00110	LBP	57	181	277	-	-	-	118	1.86	233	2.35	-	-	6.64	187-264 V, 50 Hz	S		
HXK80AA	CDO00096	LBP	71	210	316	-	-	-	140	1.90	267	2.38	-	-	8.10	187-264 V, 50 Hz	S		
HXK87AA	CDO00103	LBP	79	230	349	-	-	-	154	1.90	294	2.52	-	-	8.80	187-264 V, 50 Hz	S		
HXK95AA	CDO00085	LBP	89	254	380	-	-	-	171	1.91	321	2.39	-	-	9.60	187-264 V, 50 Hz	S		
HXK12AA	CDO00095	LBP	100	295	434	-	-	-	200	1.90	368	2.37	-	-	11.10	187-264 V, 50 Hz	S		
HZK80AA	CDO00094	LBP	71	210	316	-	-	-	140	1.97	267	2.48	-	-	8.10	187-264 V, 50 Hz	S		
HZK95AA	CDO00078	LBP	85	254	376	-	-	-	171	1.99	319	2.54	-	-	9.60	187-264 V, 50 Hz	S		
HZK12AA	CDO00077	LBP	102	293	430	-	-	-	200	1.98	365	2.50	-	-	11.10	187-264 V, 50 Hz	S		

Electrical equipment · Spare parts · Accessories

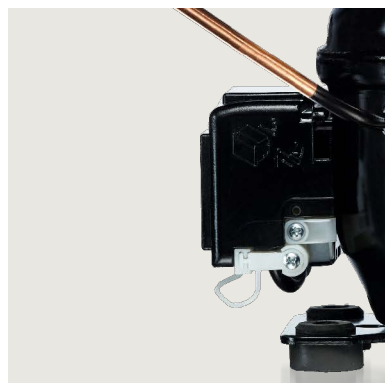
Dimensions						Run capacitor	Terminal board	Terminal board	Cable clamp	Cover	Evaporation tray	All-in-one equipment	
Height [mm]		Connectors location [mm]			alt. connectors available	→ optional → compulsory*	→ PTC → external protector	→ ePTC → external protector	screws not included	V0 material optional	plastic	→ cover → cable clamp + screws → earthing screw	
A	B	Suction C (I.D.)	Process D (O.D.)	Dis-charge E (I.D.)									Spades
						4.8 6.3 mm	4.8 mm	6.3 mm	4.8 mm				
159	-	6.15	6.00	5.15	X	2.5 µF *	ZHFF	DHFF	-	113410_	157595_	162991_	161680_
159	-	6.15	6.00	5.15	X	3 µF *	ZHF6	DHF6	-	113410_	157595_	162991_	161680_
159	-	6.15	6.00	5.15	X	3 µF *	ZHF4	DHF4	-	113410_	157595_	162991_	161680_
167	-	6.15	6.00	5.15	X	4 µF *	Z AFC	DAFC	-	113410_	157595_	162991_	161680_
167	-	6.15	6.00	5.15	X	4 µF *	Z AFP	DAFP	-	113410_	157595_	162991_	161680_
159	-	6.15	6.00	5.15	X	-	Z AF5	DAF5	-	113410_	157595_	162991_	161680_
159	-	6.15	6.00	5.15	X	-	Z AF5	DAF5	-	113410_	157595_	162991_	161680_
167	-	6.15	6.00	5.15	X	-	Z AFP	DAFP	-	113410_	157595_	162991_	161680_
159	-	6.15	6.00	5.15	X	2 µF	Z HF0	DHF0	-	113410_	157595_	162991_	161680_
159	-	6.15	6.00	5.15	X	3 µF	Z AF7	DAF7	-	113410_	157595_	162991_	161680_
159	-	6.15	6.00	5.15	X	3 µF	Z AFC	DAFC	-	113410_	157595_	162991_	161680_
167	-	6.15	6.00	5.15	X	4 µF	Z AFC	DAFC	-	113410_	157595_	162991_	161680_
167	-	6.15	6.00	5.15	X	4 µF	Z AF9	DAF9	-	113410_	157595_	162991_	161680_
159	-	6.15	6.00	5.15	X	3 µF *	Z AF6	DAF6	ZXF6	113410_	157595_	162991_	161680_
167	-	6.15	6.00	5.15	X	3 µF *	Z AF6	DAF6	ZXF6	113410_	157595_	162991_	161680_
167	-	6.15	6.00	5.15	X	3 µF *	Z AF4	DAF4	ZXF4	113410_	157595_	162991_	161680_
167	-	6.15	6.00	5.15	X	4 µF *	Z AF5	DAF5	ZXF5	113410_	157595_	162991_	161680_
167	-	6.15	6.00	5.15	X	4 µF *	Z AF5	DAF5	ZXF5	113410_	157595_	162991_	161680_
167	-	6.15	6.00	5.15	X	4 µF *	Z AFP	DAFP	ZXFP	113410_	157595_	162991_	161680_
167	-	6.15	6.00	5.15	X	3 µF *	-	-	ZXF4	113410_	157595_	162991_	161680_
170	-	6.15	6.00	5.15	X	4 µF *	-	-	ZXF5	113410_	157595_	162991_	161680_
170	-	6.15	6.00	5.15	X	4 µF *	-	-	ZXFP	113410_	157595_	162991_	161680_

K-Series AT · R600a · 200-240 V · 50/60 Hz

Compressor	Code number	Application	ASHRAE Capacity [W] Tc=54.4°C, Tliq=32.2°C, Tsuc=32.2°C Evaporating temperature [°C]						ASHRAE						Displacement [cm³]	Voltage and frequencies [*dual frequency type with 50/60 Hz]	Compressor cooling cooling (refer to data sheet)		
			LBP rating point -23.3°C / 54.4°C		MBP rating point -6.7°C / 54.4°C		HBP rating point 7.2°C / 54.4°C		Cooling capacity		COP		Cooling capacity					COP	
			-35	-15	-5	0	10	15	[W]	[W/W]	[W]	[W/W]	[W]	[W/W]				[W]	[W/W]
HXK70AT	CDO00124	LBP	60	178	-	-	-	119	1.72	-	-	-	-	6.64	170-264 V, 50 Hz	S			
HXK80AT	CDO00135	LBP	70	208	-	-	-	140	1.75	-	-	-	-	8.10	170-264 V, 50 Hz *	S			
HXK87AT	CDO00136	LBP	89	229	-	-	-	154	1.75	-	-	-	-	8.80	170-264 V, 50 Hz *	S			
HXK95AT	CDO00137	LBP	76	254	-	-	-	174	1.75	-	-	-	-	9.60	170-264 V, 50 Hz *	S			
HXK12AT	CDO00219	LBP	115	295	-	-	-	198	1.73	-	-	-	-	11.12	170-264 V, 50 Hz *	S			
HXK13AT	CDO00222	LBP	131	335	-	-	-	226	1.65	-	-	-	-	12.50	170-264 V, 50 Hz *	S			

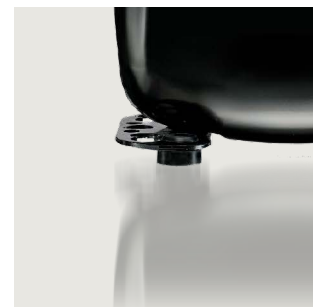
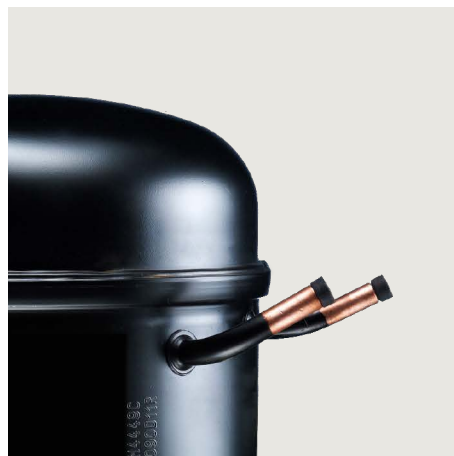
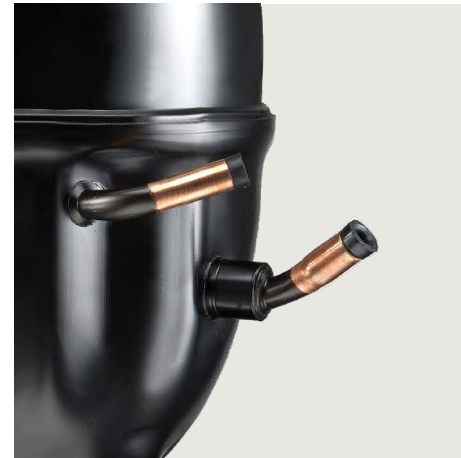
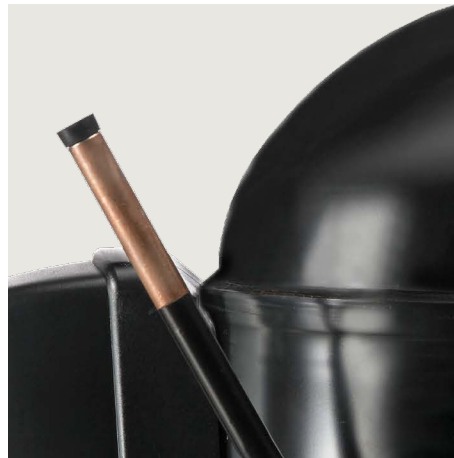
Electrical equipment · Spare parts · Accessories

Dimensions						Run capacitor	Terminal board	Terminal board	Cable clamp	Cover	Evaporation tray	All-in-one equipment	
Height [mm]		Connectors location [mm]			alt. connectors available	→ optional → compulsory*	→ PTC → external protector	→ ePTC → external protector	screws not included	V0 material optional	plastic	→ cover → cable clamp + screws → earthing screw	
A	B	Suction C (I.D.)	Process D (O.D.)	Dis-charge E (I.D.)									Spades
						4.8 6.3 mm	4.8 mm	6.3 mm	4.8 mm				
167	-	6.15	6.00	5.15	X	4 µF	Z AF5	DAF5	-	113410_	157595_	162991_	161680_
167	-	6.15	6.00	5.15	X	4 µF	Z CF5	DCF5	-	113410_	157595_	162991_	161680_
167	-	6.15	6.00	5.15	X	4 µF	Z CFC	DCFC	-	113410_	157595_	162991_	161680_
167	-	6.15	6.00	5.15	X	4 µF	Z CFP	DCFP	-	113410_	157595_	162991_	161680_
167	-	6.15	6.00	5.15	X	4 µF	Z CF9	DCF9	-	113410_	157595_	162991_	161680_
167	-	6.15	6.00	5.15	X	4 µF	Z CF9	DCF9	-	113410_	157595_	162991_	161680_

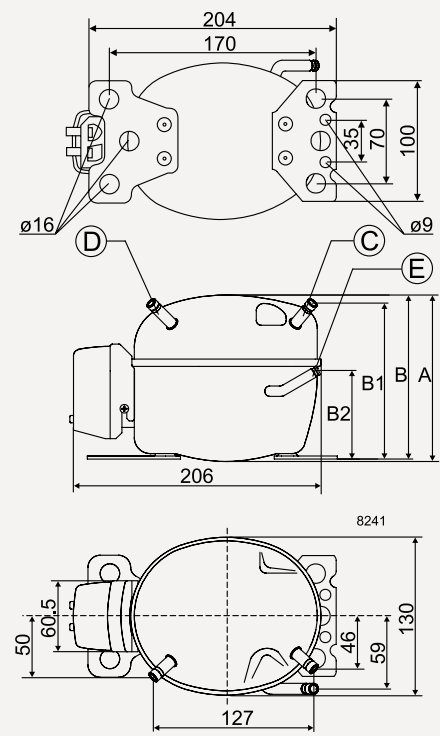


Compressor	Code number	Application	ASHRAE Capacity [W] Tc=54.4°C, Tliq=32.2°C, Tsuc=32.2°C Evaporating temperature [°C]						ASHRAE						Displacement [cm³]	Voltage and frequencies [*dual frequency type with 50/60 Hz]	Compressor cooling cooling (refer to data sheet)		
			LBP rating point -23.3°C / 54.4°C		MBP rating point -6.7°C / 54.4°C		HBP rating point 7.2°C / 54.4°C		Cooling capacity		COP		Cooling capacity					COP	
			-35	-15	-5	0	10	15	[W]	[W/W]	[W]	[W/W]	[W]	[W/W]				[W]	[W/W]
									[W]	[W/W]	[W]	[W/W]	[W]	[W/W]				[W]	[W/W]
DLE4.8CNT	102H4587	L/MBP	130	334	498	600	-	-	232	1.38	417	1.95	694	2.82	4.80	187-254 V, 50 Hz *	F2		
DLE5.7CNT	102H4678	L/MBP	166	415	606	726	-	-	295	1.46	510	1.95	835	2.75	5.70	187-254 V, 50 Hz *	F2		
NLE8.0CNT	105H6073	L/MBP	-	553	824	991	-	-	377	1.45	692	2.02	1137	2.92	7.96	187-242 V, 50 Hz *	F2		
NLE8.8CNT	105H6088	L/MBP	276	738	1086	1296	-	-	511	1.56	914	2.05	1469	2.80	8.76	187-253 V, 60 Hz	F2		
NLE10CNT	105H6179	L/MBP	-	735	1076	1278	-	-	511	1.49	906	1.92	1440	2.59	10.09	187-242 V, 50 Hz *	F2		
NLE11CNLT	105H6109	LBP	416	979	-	-	-	-	669	1.65	-	-	-	-	11.15	187-253 V, 60 Hz	F2		
NLE11MNT	105H6199	MBP	-	965	1395	1654	-	-	-	-	1176	2.02	1866	2.73	11.15	187-253 V, 60 Hz	F2		
SC18CNLX.2	104H8877	LBP	457	1268	1823	-	-	-	922	1.45	1533	1.92	-	-	17.69	198-254 V, 60 Hz	F2		
SC21CNLX.2	104H8177	LBP	570	1552	2201	-	-	-	1138	1.45	1856	1.78	-	-	20.95	198-254 V, 60 Hz	F2		
SCE15CNLX	104H8577	LBP	249	1210	1857	-	-	-	769	1.64	1555	2.27	-	-	15.28	187-253 V, 60 Hz	F2		
SCE15CNLX	104H8588	LBP	250	1205	1848	-	-	-	764	1.47	1548	2.02	-	-	15.28	187-253 V, 60 Hz	F2		
SCE18CNLX	104H8878	LBP	298	1434	2198	-	-	-	910	1.67	1841	2.30	-	-	17.69	187-253 V, 60 Hz	F2		
SCE18CNLX	104H8888	LBP	440	1385	2066	-	-	-	940	1.50	1734	1.93	-	-	17.69	187-253 V, 60 Hz	F2		
SCE21CNLX	104H8173	LBP	526	1646	2484	-	-	-	1102	1.65	2082	2.14	-	-	20.95	187-253 V, 60 Hz	F2		
SCE21CNLX	104H8174	LBP	452	1582	2409	-	-	-	1042	1.43	2017	1.89	-	-	20.95	198-253 V, 60 Hz	F2		
SCE15MNX	104H8579	MBP	-	1221	1852	2226	-	-	792	1.64	1552	2.25	2546	3.19	15.28	187-253 V, 60 Hz	F2		
SCE15MNX	104H8589	MBP	-	1208	1828	2196	-	-	786	1.52	1533	2.03	2511	2.85	15.28	187-253 V, 60 Hz	F2		
SCE18MNX	104H8879	MBP	-	1431	2146	2569	-	-	942	1.62	1802	2.21	2924	3.11	17.69	187-253 V, 60 Hz	F2		
SCE18MNX	104H8889	MBP	-	1427	2137	2557	-	-	941	1.46	1794	1.96	2910	2.76	17.69	187-253 V, 60 Hz	F2		

Dimensions						LST (RSIR & RSCR) refer to data sheet for more info					Run capacitor (RC)		HST (CSIR & CSR) *alt. cable lengths avail.			LST/HST		
Height [mm]		Connectors location/I.D. [mm]				alt. connectors available	PTC starting device		PTC starting device with RC connector		ePTC	→ optional → compulsory*		Starting relay	Starting capacitor	Starting device*	Cord relief	Cover
A	B	Suction C (I.D.)	Process D (I.D.)	Dis-charge E (I.D.)	Spades		Spades		Spades	Spades		Spades						
		6.3 mm	4.8 mm	6.3 mm	4.8 mm		4.8 mm	6.3 mm	4.8 mm	6.3 mm	4.8 mm	6.3 mm	4.8 mm	6.3 mm	6.3 mm			
175	169	8.2	6.5	6.5	X	-	-	-	-	103N0050	-	117-7129	117U7002	117U5015	-	103N1010	103N0491	
175	169	8.2	6.5	6.5	X	-	-	-	-	103N0050	-	117-7129	117U7002	117U5015	-	103N1010	103N0491	
203	197	8.2	6.5	6.5	-	-	-	-	-	103N0050	-	117-7119	117U7003	117U5014	-	103N1010	103N2011	
203	197	8.2	6.5	6.5	-	-	-	-	-	103N0050	-	117-7119	117U7022	117U5381	-	103N1010	103N2011	
203	197	8.2	6.5	6.5	-	-	-	-	-	103N0050	-	117-7119	117U7050	117U5014	-	103N1010	103N2011	
203	197	8.2	6.5	6.5	-	-	-	-	-	103N0050	-	117-7165	117U7005	117U5014	-	103N1010	103N2011	
203	197	8.2	6.5	6.5	-	-	-	-	-	103N0050	-	117-7119	117U7050	117U5014	-	103N1010	103N2011	
219	213	9.63	6.5	6.5	-	-	-	-	-	-	-	-	-	117U5373	117-7039	103N1004	103N2008	
219	213	9.63	6.5	6.5	-	-	-	-	-	-	-	-	-	117U5373	117-7066	103N1004	103N2008	
219	213	9.63	6.5	6.5	-	-	-	-	-	117U7121 *	-	117-7602	117U5373	117-7809	-	117U1021		
219	213	9.63	6.5	6.5	-	-	-	-	-	-	-	-	117U7413	117U5076	-	-	117U1021	
219	213	9.63	6.5	6.5	X	-	-	-	-	117U7121 *	-	117-7602	117U5373	117-7809	-	117U1021		
219	213	9.63	6.5	6.5	X	-	-	-	-	-	-	-	117U7413	117U5076	-	-	117U1021	
219	213	9.63	6.5	6.5	-	-	-	-	-	117U7121 *	-	117-7603	117U5373	117-7811	-	117U1021		
219	213	9.63	6.5	6.5	-	-	-	-	-	-	-	-	117U7407	117U5076	-	-	117U1021	
219	213	9.63	6.5	6.5	-	-	-	-	-	117U7121 *	-	117-7601	117U5373	117-7808	-	117U1021		
219	213	9.63	6.5	6.5	-	-	-	-	-	-	-	-	117U7401	117U5076	-	-	117U1021	
219	213	9.63	6.5	6.5	X	-	-	-	-	117U7121 *	-	117-7445	117U5373	117-7807	-	117U1021		
219	213	9.63	6.5	6.5	X	-	-	-	-	-	-	-	117U7412	117U5076	-	-	117U1021	

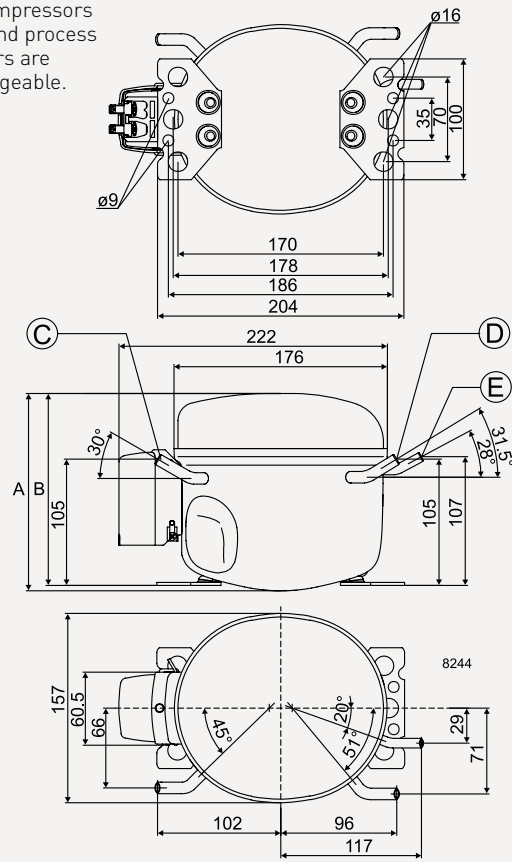


PLE

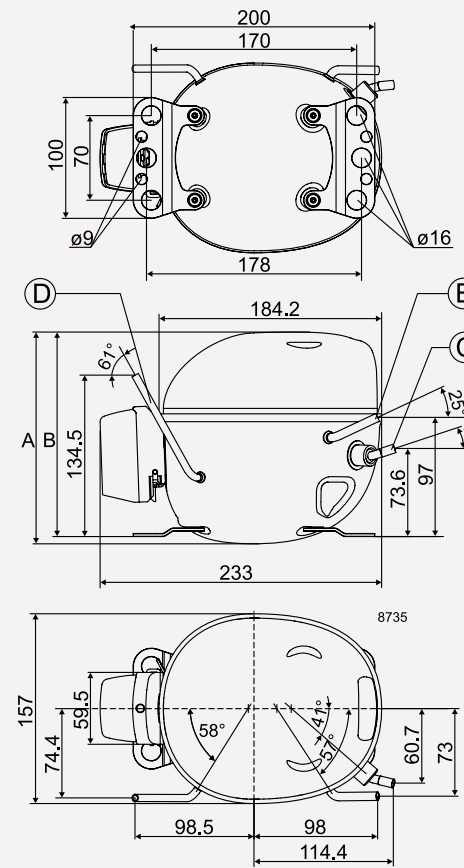


TL / TLES

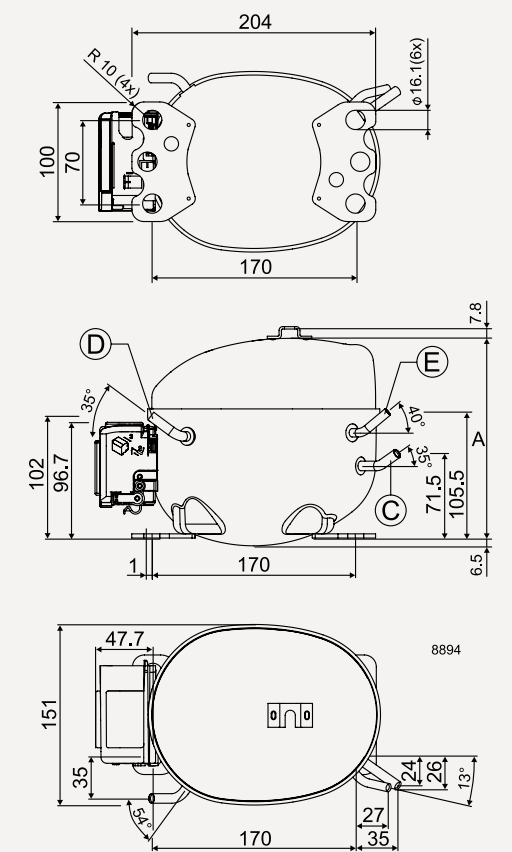
Note:
On TL compressors
suction and process
connectors are
interchangeable.



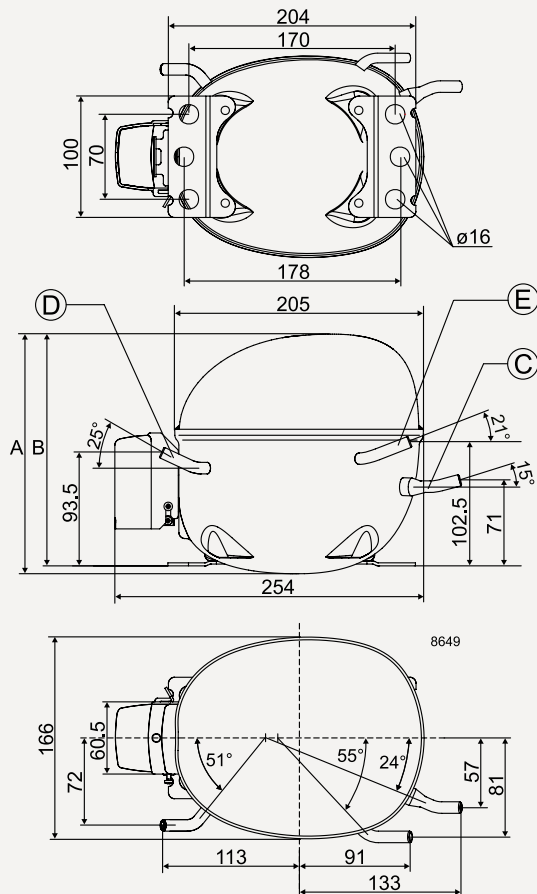
DLE



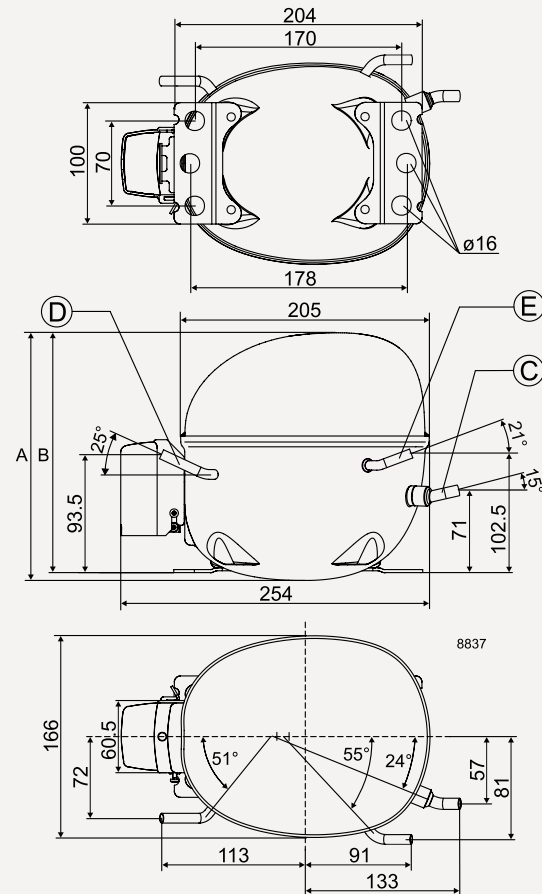
HKK / HMK / HTK / HXK / HZK (K-Series)



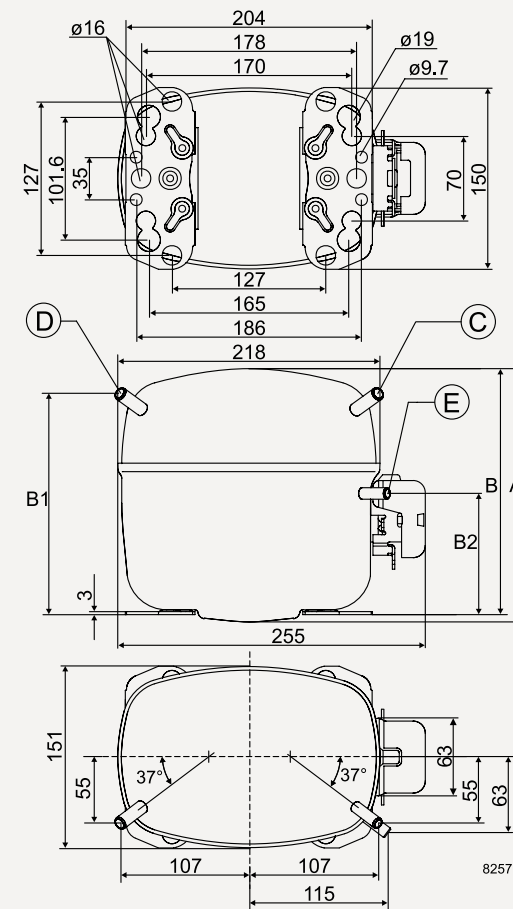
R600a: NLX / NLU (NLE similar)



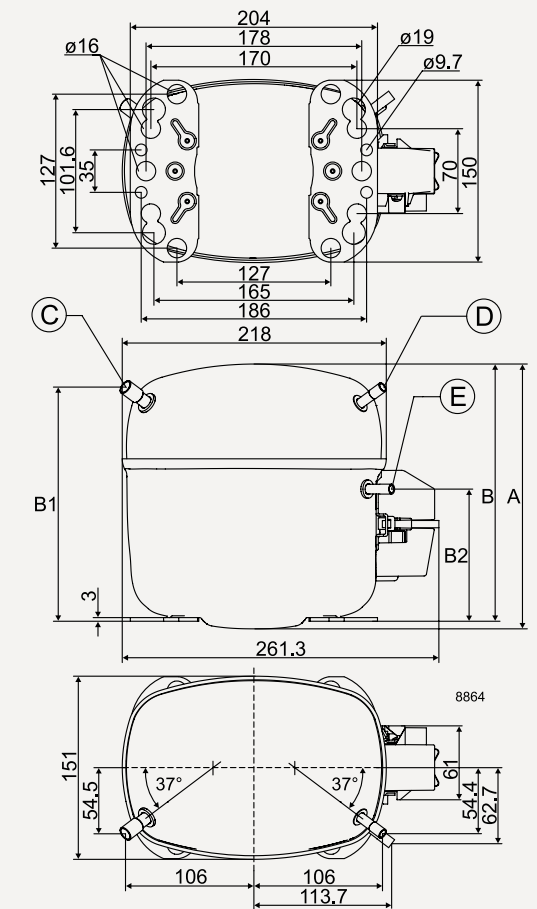
R290: NLE / NLU (NL similar)

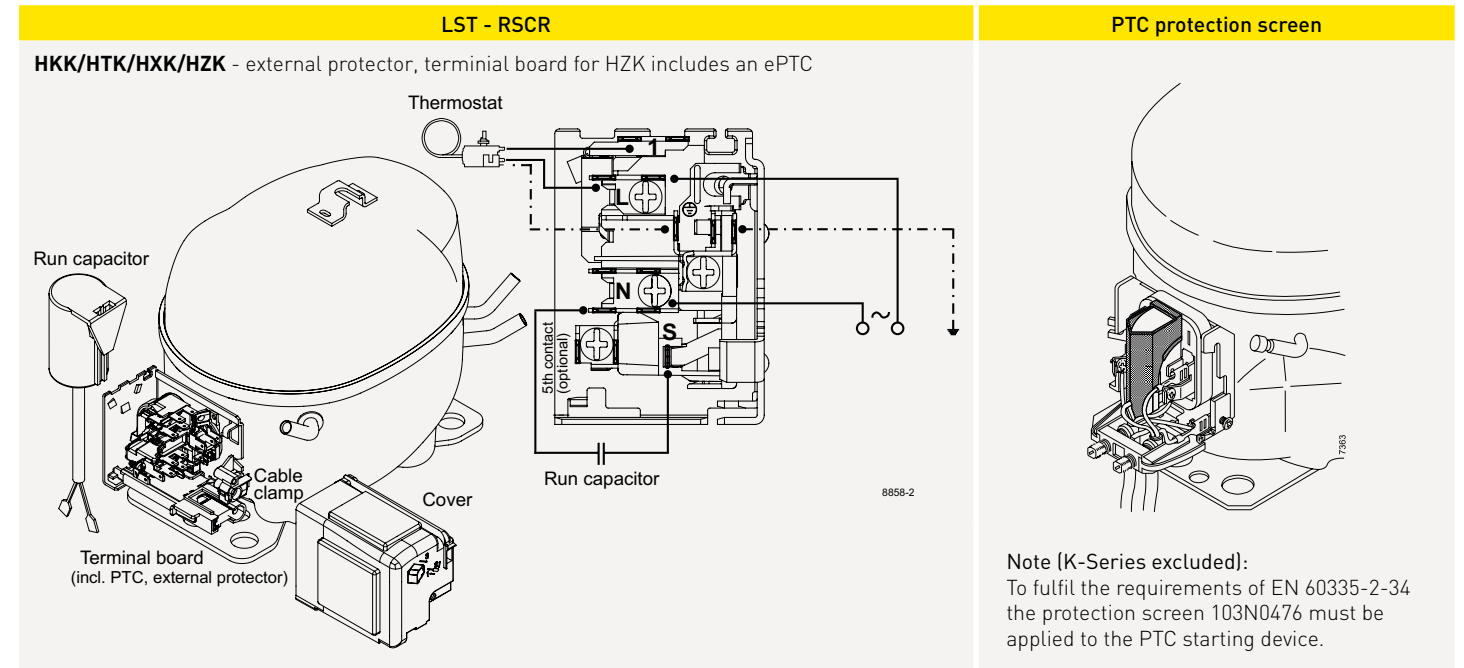
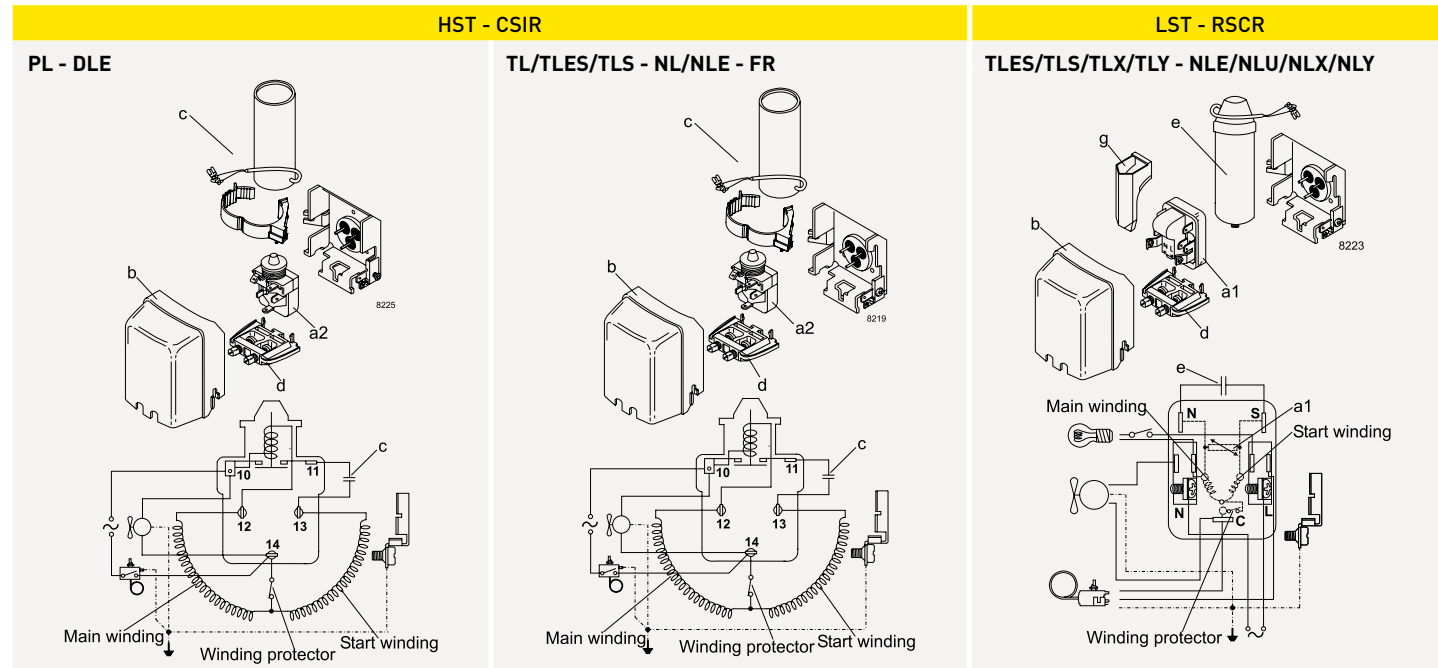
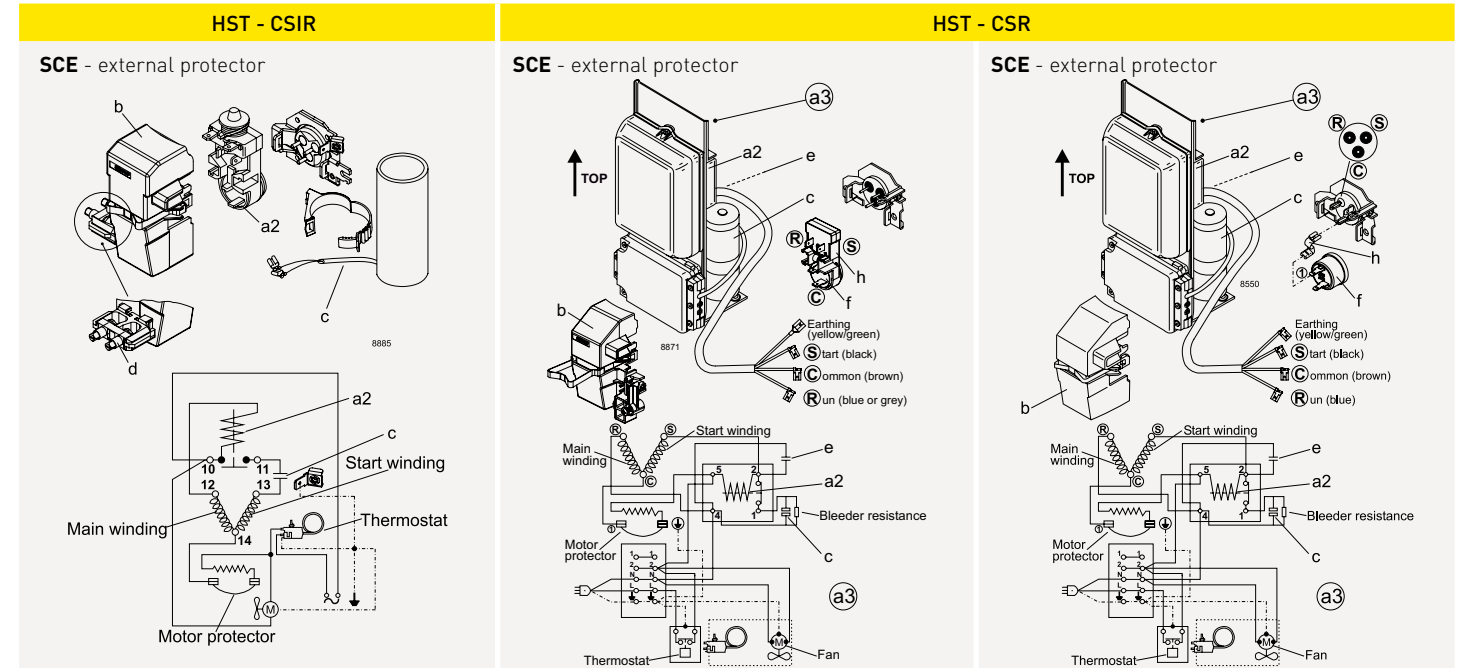
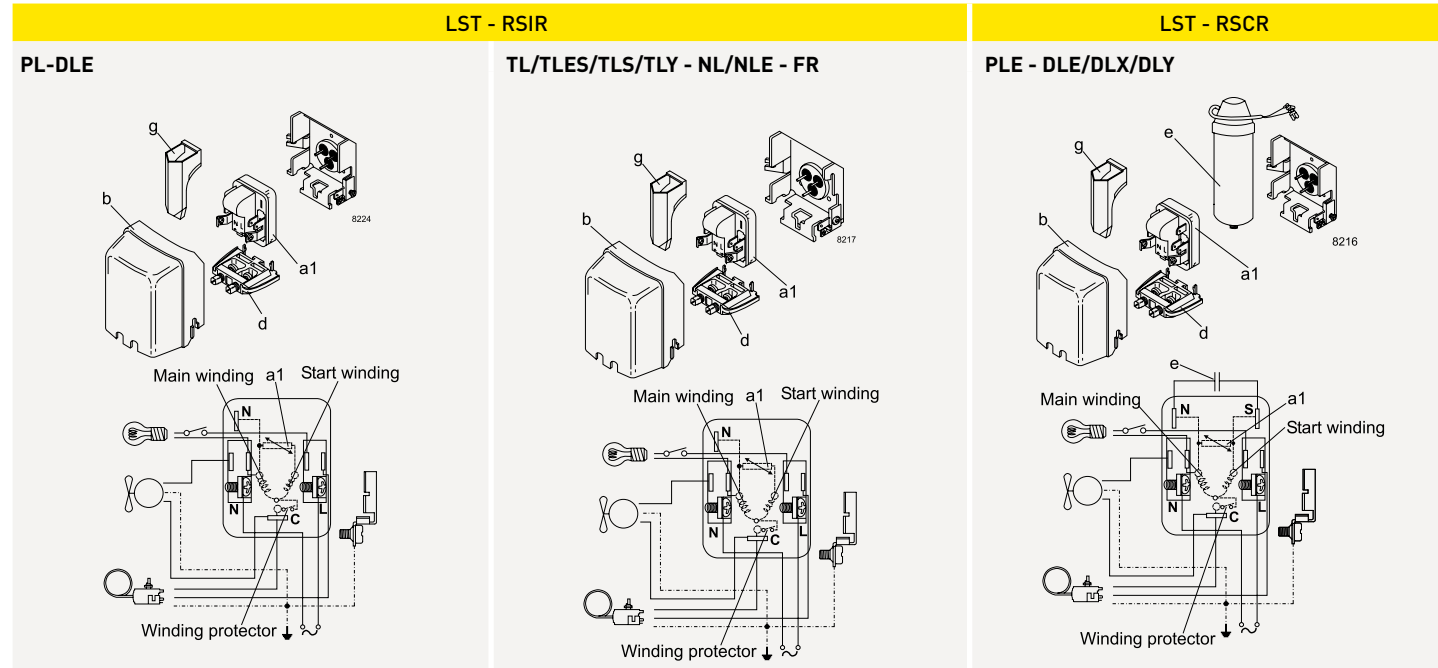


SC



SCE





Further information

Applications
LBP: Low Back Pressure
HBP: High Back Pressure
MBP: Medium Back Pressure

Motor types
RSIR: Resistant Start Induction Run
RSCR: Resistant Start Capacitor Run
CSIR: Capacitor Start Induction Run
CSR: Capacitor Start Run

Compressor cooling
S = Static cooling normally sufficient
O = Oil cooling
F1 = Fan cooling 1.5 m/s
 (compressor compartment temp. equal to ambient temperature)
F2 = Fan cooling 3.0 m/s necessary

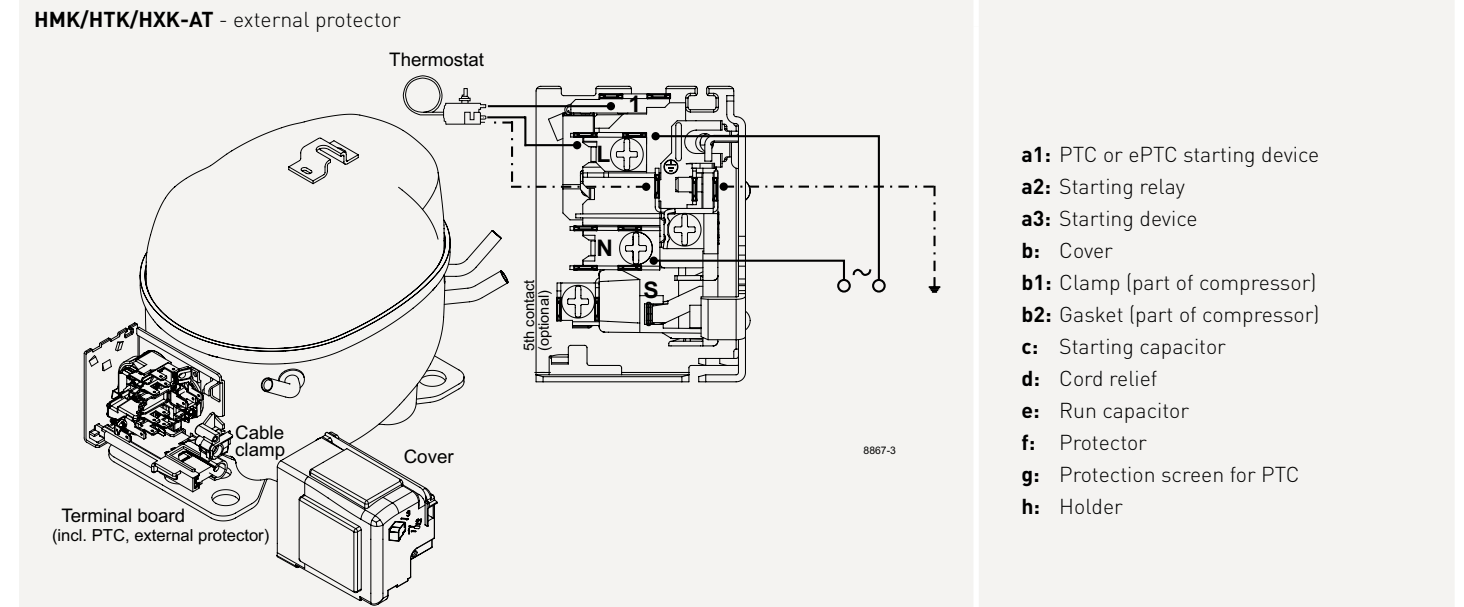
Starting devices
LST: Low Starting Torque
 LST is used with capillary tube control and pressure equalizing. (Pressure equalizing may exceed 10 minutes). The PTC starting device requires 5 minutes cooling before each start.

HST: High Starting Torque
 HST consisting of relay and starting capacitor is used for expansion valve control or for capillary tube control without pressure equalizing.

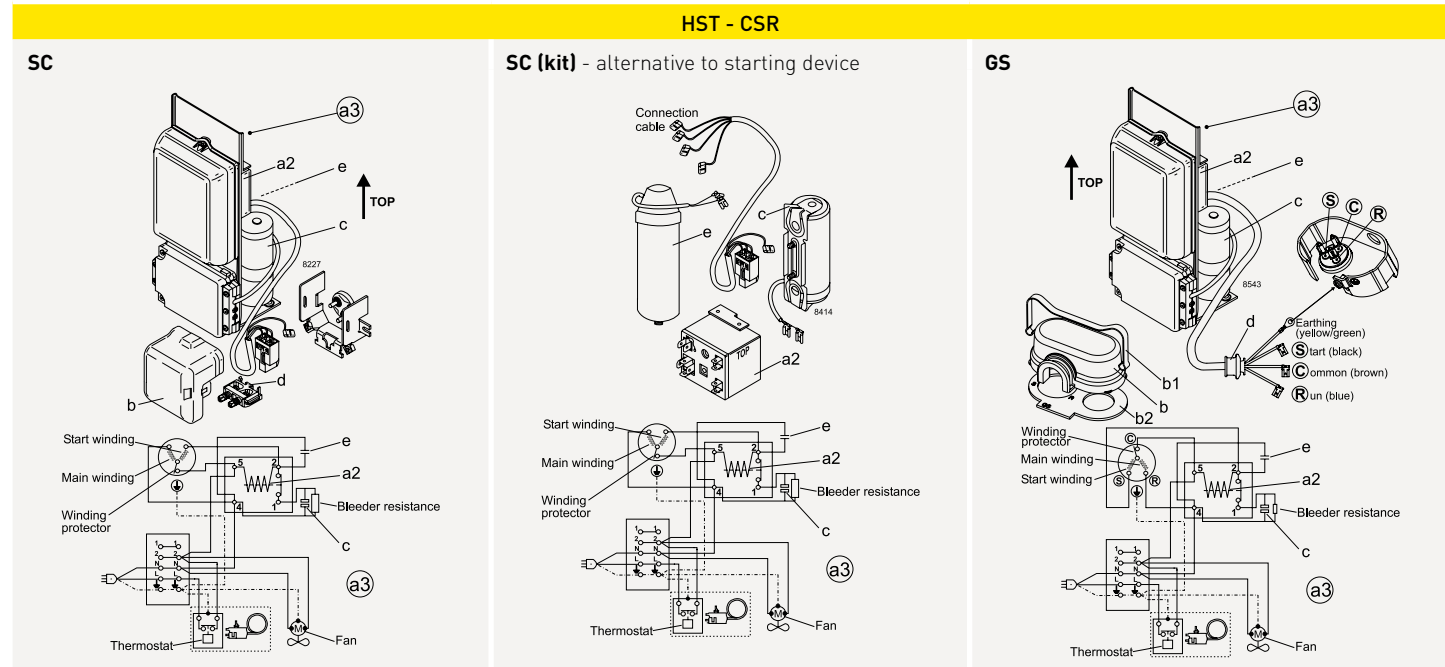
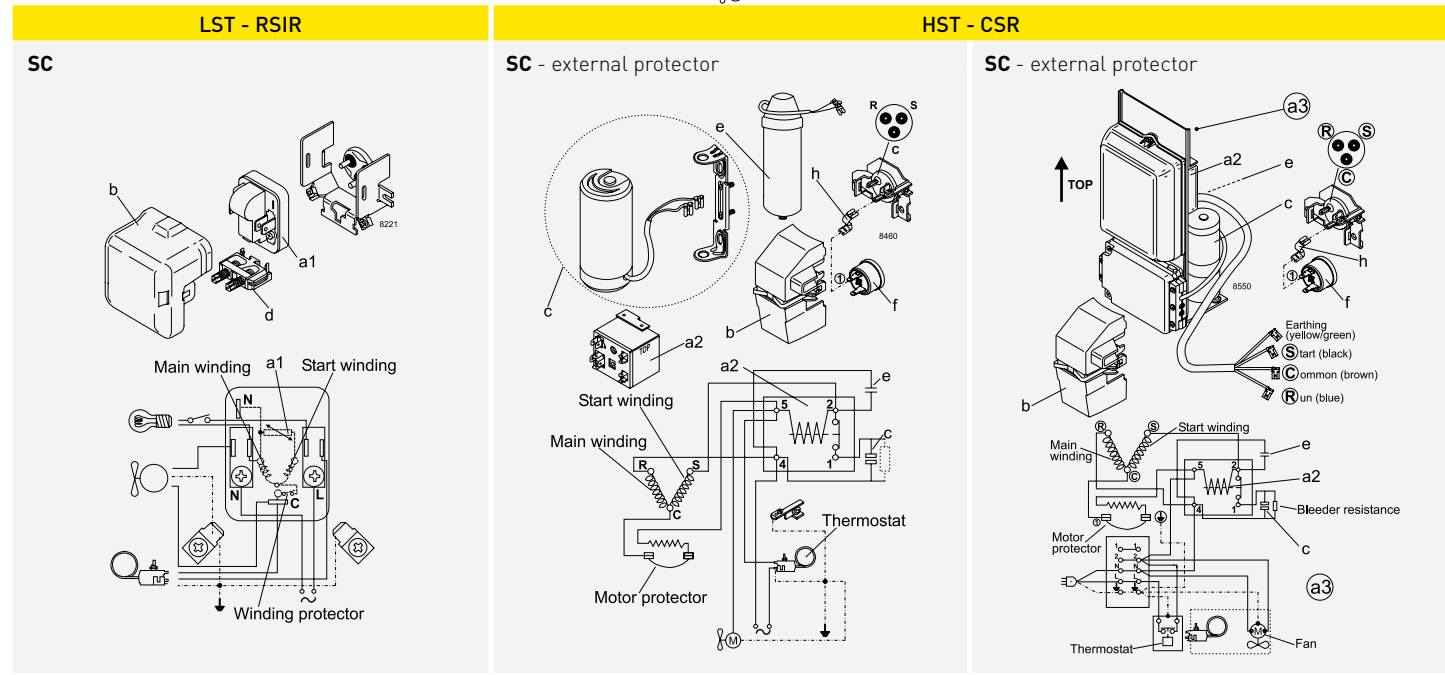
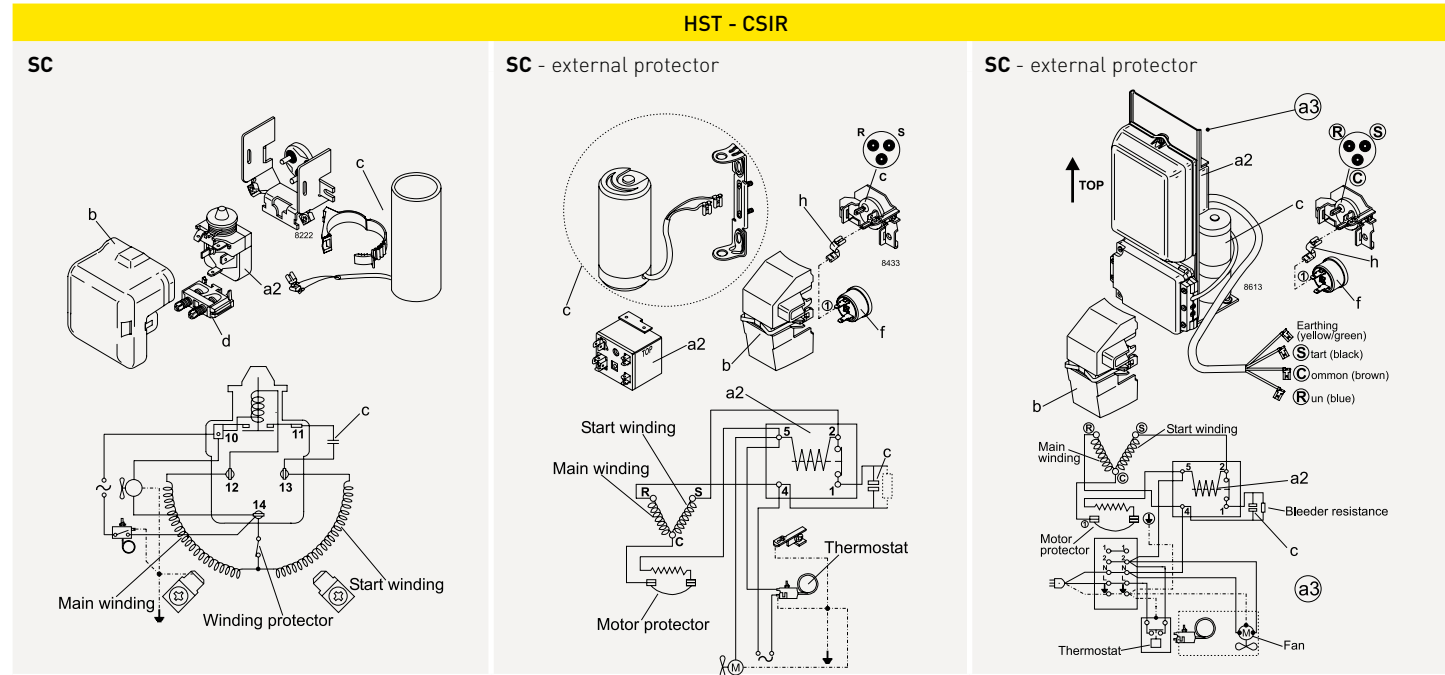
ePTC: Electronically controlled PTC

- Compressor restart possible after a few seconds
- Operational wattage loss reduced by 2 watt
- PTC protection screen not needed (surface temp. < 82 °C)

Legend



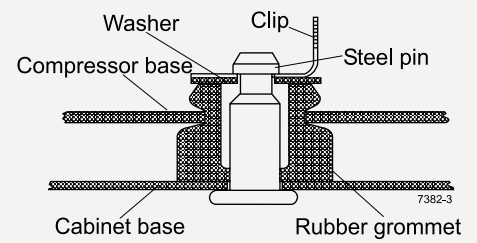
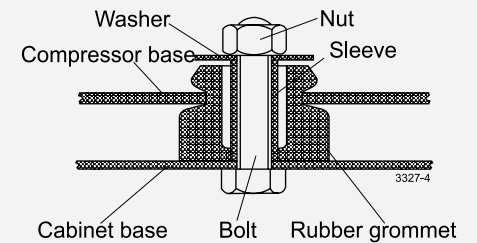
- a1:** PTC or ePTC starting device
- a2:** Starting relay
- a3:** Starting device
- b:** Cover
- b1:** Clamp (part of compressor)
- b2:** Gasket (part of compressor)
- c:** Starting capacitor
- d:** Cord relief
- e:** Run capacitor
- f:** Protector
- g:** Protection screen for PTC
- h:** Holder



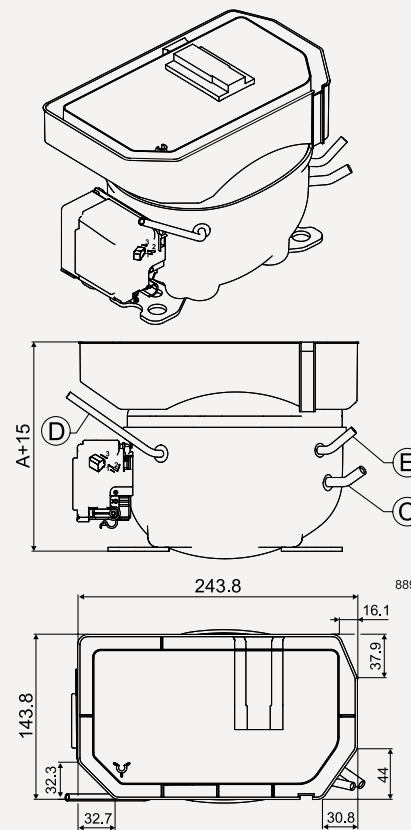
Mounting accessories

Mounting	Code number	Bolt / pin dimension	Comp. base hole	Type of packaging	Compressor series	Parts list
Bolt joint	118-1917	M6 metric	16 mm	Single pack for one compressor	P- / T- / D- / N- / F- / S-Series	I
Bolt joint	118-1918	M6 metric	16 mm	Industrial pack in any quantity	P- / T- / D- / N- / F- / S-Series	I
Bolt joint	107B9150	M8 metric	19 mm	Single pack for one compressor	G-Series	II
Bolt joint	118-1946	1/4 inch	16 mm	Single pack for one compressor	P- / T- / D- / N- / F- / S-Series	III
Bolt joint	118-1949	1/4 inch	19 mm	Single pack for one compressor	all with 19 mm base holes (except G-Series)	IV
Snap-on	118-1947	∅ 7.3 mm	16 mm	Single pack for one compressor	P- / T- / D- / N- / F- / S-Series K-Series	V
Snap-on	118-1919	∅ 7.3 mm	16 mm	Industrial pack in any quantity	P- / T- / D- / N- / F- / S-Series K-Series	V

Parts list (4 pcs. per compressor needed)		Symbol drawings
I	Sleeve ∅ 8 mm x 6.4 mm x 0.8 mm	112-2052
	Washer ∅ 20 mm x ∅ 6.7 mm x 1 mm	112-2053
	Bolt M6 x 25 mm	681X1130
	Nut M6	118-3659
II	Rubber grommet 16 mm	118-3661
	Sleeve ∅ 11 mm x 8.6 mm x 1.2 mm	107B9152
	Washer ∅ 20 mm x ∅ 8.8 mm x 1.2 mm	107B9155
	Bolt M8 x 40 mm	107B9153
III	Nut M8	107B9154
	Rubber grommet 19 mm	107B9151
	Sleeve ∅ 8.3 mm x 6.7 mm x 0.8 mm	112-2088
	Washer ∅ 20 mm x ∅ 6.7 mm x 1 mm	112-2053
IV	Bolt 1/4 x 1 inch, 20 UNC	119-3002
	Nut 1/4 inch, 20 UNC	119-3031
	Rubber grommet 16 mm	118-3661
	Sleeve ∅ 9.5 mm x 7.9 mm x 0.8 mm	112-2085
V	Washer ∅ 20 mm x ∅ 6.7 mm x 1 mm	112-2053
	Bolt 1/4 x 1 1/4 inch, 20 UNC	119-3002
	Nut 1/4 inch, 20 UNC	119-3031
	Rubber grommet 19 mm	118-3666
	Steel pin	118-3586
	Washer ∅ 21 x ∅ 8.1 mm x 0.9 mm	118-3588
	Clip	118-3585
	Rubber Grommet 16 mm	118-3661



K-Series · Evaporation tray



Flammable refrigerants R600a and R290



R600a (isobutane) and R290 (propane) are hydrocarbons. Hydrocarbon refrigerants are flammable and are only allowed for use in appliances that meet the requirements set out in the latest revision of EN/IEC 60335-2-34.

Do not use the refrigerants R600a or R290 near an open fire. The refrigeration systems must be opened with a tube cutter.

To properly perform maintenance and repair work on R600a or R290 systems, service staff must be properly trained in handling flammable refrigerants. This includes knowledge of tools, transportation of the compressor and refrigerant, and the relevant regulations and safety precautions when carrying out service and repair work.

Secop compressors that use flammable refrigerants R600a and R290 are equipped with a yellow warning label as shown.

SECOP GROUP: AROUND THE WORLD

SECOP

12

international
partners for
advanced
developments

33

laboratories
located in Austria,
Germany, Slovakia,
China, US, and
Turkey

180

R&D engineers
and technicians

440

patents globally

50+

countries with
customer support

WE SUPPORT





Since 2011 Secop has been committed to the UN Global Compact corporate responsibility initiative and its principles in the areas of human rights, labor, the environment and anti-corruption.



Secop is the expert for advanced hermetic compressor technologies and cooling solutions in commercial refrigeration. We develop high performance stationary and mobile cooling solutions for leading international commercial refrigeration manufacturers and are the first choice when it comes to leading hermetic compressors and electronic controls for refrigeration solutions for light commercial and DC-powered applications.

Secop has a long track record of successful projects to adopt energy efficient and green refrigerants that feature innovative solutions for both compressors and control electronics.

-  **Flensburg:** Sales and R&D
-  **Zlaté Moravce:** R&D, Logistics and Manufacturing
-  **Turin:** Sales
-  **Tianjin:** Sales, R&D, Logistics and Manufacturing
-  **Gleisdorf:** R&D
-  **Atlanta:** Sales, R&D and Logistics



**MOBILE
COOLING**



**STATIONARY
COOLING**



Secop GmbH · Mads-Clausen-Str. 7 · 24939 Flensburg, Germany · Tel: +49 461 4941 0 · www.secop.com

Secop accepts no responsibility for possible errors in catalogs, brochures, and other printed material. Secop reserves the right to alter its products without notice. This also applies to products already on order provided that such alterations can be made without consequential changes being necessary to specifications already agreed. All trademarks in this material are the property of the respective companies. Secop and the Secop logotype are trademarks of Secop GmbH. All rights reserved.